

STAMA-HTF



Spare Parts
Ersatzteile
Reservevedele
Multi EL 2017



GMR Maskiner a/s
Saturnvej 17
8700 Horsens
Danmark

+45 7564 3611



WWW.GMR.DK

STAMA-HTF

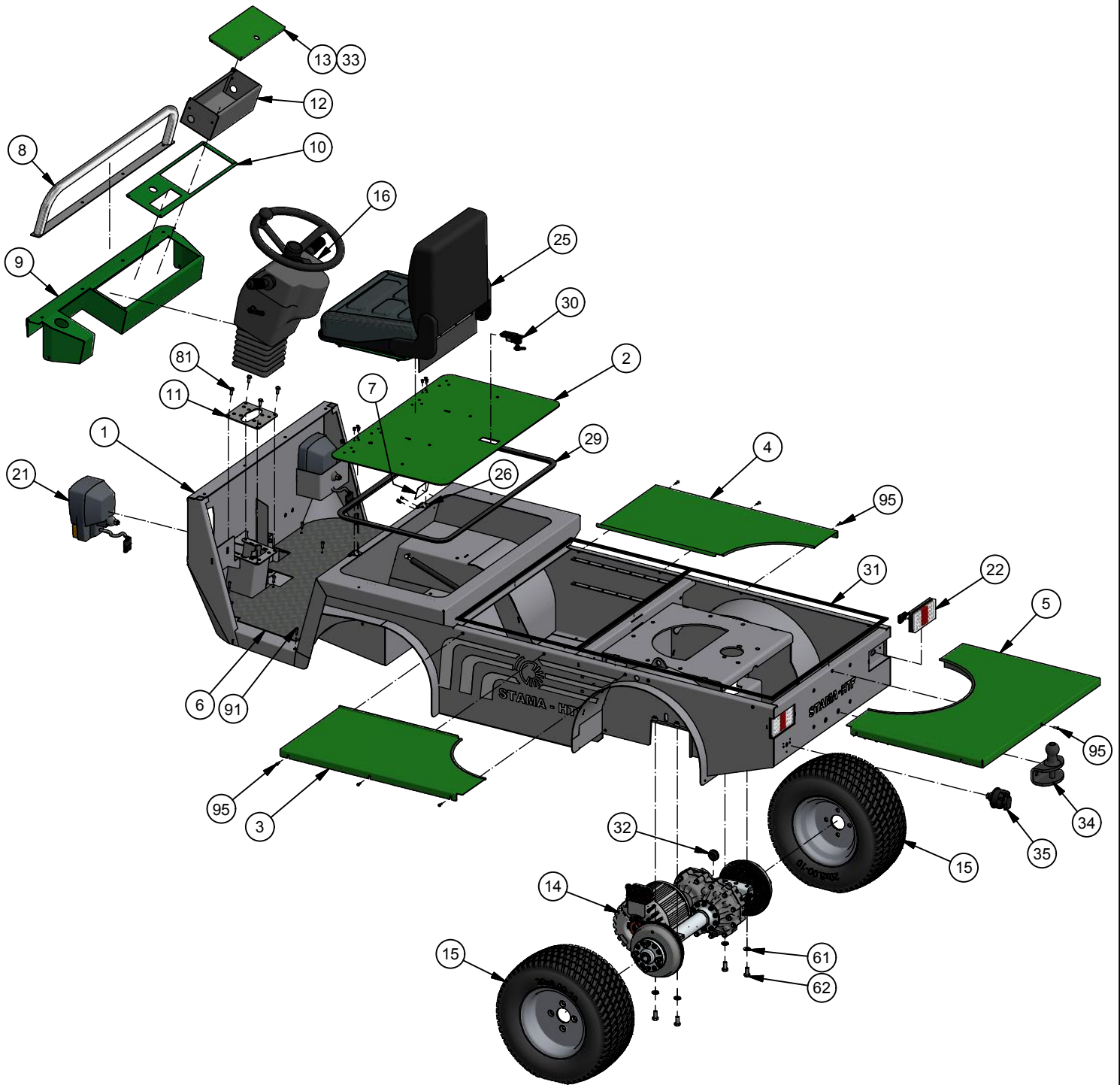
STENSALLE

NESBO

STAMA-HTF



Multi EL 2017



STAMA-HTF

STENSALLE

NESBO

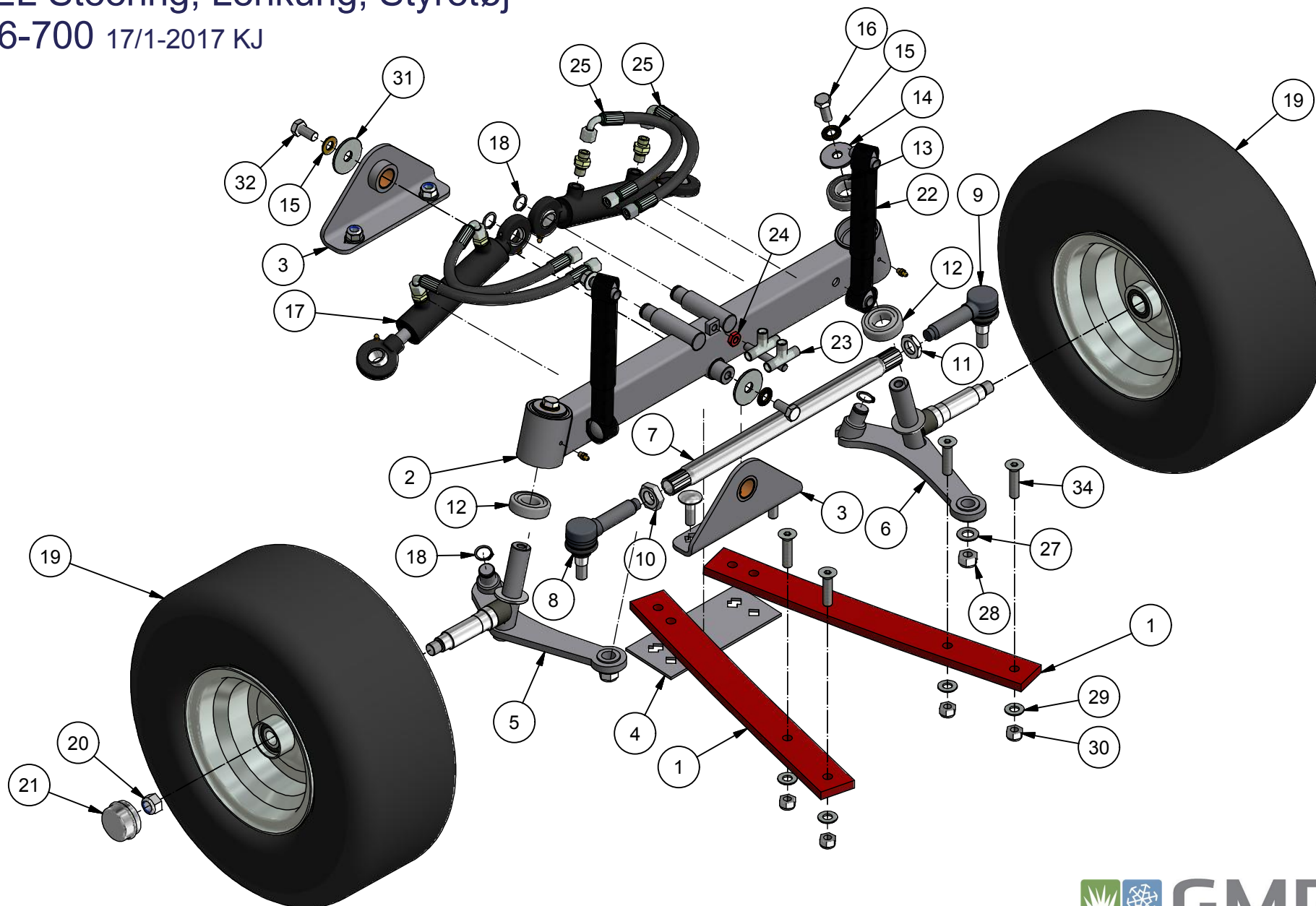


| <i>Pos.</i> | <i>Benævnelse</i> | <i>Antal</i> | <i>Varenummer</i> | <i>Bemærkning</i> |
|-------------|----------------------------------|--------------|-------------------|-------------------|
| 1 | Chassis | 1 | 78-601-100 | |
| 2 | Låg for sædekasse | 1 | 78-601-150 | |
| 3 | Dækskærm midt, venstre | 1 | 78-601-141 | L |
| 4 | Dækskærm midt, højre | 1 | 78-601-142 | R |
| 5 | Dækskærm bagerst | 1 | 78-601-143 | |
| 6 | Dørklade | 1 | 78-601-147 | |
| 7 | Maskinskilt | 1 | 78-601-149 | |
| 8 | Frontbøjle | 1 | 78-601-225 | |
| 9 | Instrumentbord | 1 | 78-601-230 | |
| 10 | Instrumentpanel f. værktøjskas | 1 | 78-601-235 | |
| 11 | Mellemlade | 1 | 78-305-701 | |
| 12 | Værktøjskasse | 1 | 022-000-012 | |
| 13 | Låg for værktøjskasse | 1 | 022-000-056 | |
| 14 | Transaksel TX2 | 1 | 2016-0006 | 4 kW 48V AC |
| 15 | Baghjul | 2 | TT.1020800-01 | 20x8.00-10 ET+5 |
| 16 | Ratstamme komplet | 1 | MT00-1177 | -2017 |
| | | | 2017-0028 | 2018- |
| 21 | Forlygte m. stik | 2 | 78-410-215 | |
| 22 | Baglygte m. stik | 2 | 78-301-120 | |
| 25 | Sæde m. kontakt og affjedring, k | 1 | 78-601-680 | |
| 26 | Hængsel for sædekasse | 2 | 63.05342 | |
| 27 | Gascylinder Sædekasse | 1 | 223-400-02 | |
| 28 | Vinkelled Type AS | 2 | 1100-101006 | |
| 29 | Gummiprofil m/slange på siden | 2,7 m | 009-100-052 | |
| 30 | Lås for sædekasse-låg | 1 | 100047157 | |
| 31 | Glasliste 4x15mm | 5,1 m | 36.721504 | |
| 32 | Gummiprop | 1 | 010-310-103 | 40x29,5x5 |
| 33 | Lås m/nøgle f. handskerum | 1 | 100041556 | |
| 34 | Kombitræk | 1 | 77-801-762 | Option |
| 35 | 7 polet stik | 1 | 77-801-770 | Option |

STAMA-HTF



Multi EL Steering, Lenkung, Styretøj 78-606-700 17/1-2017 KJ



STAMA-HTF

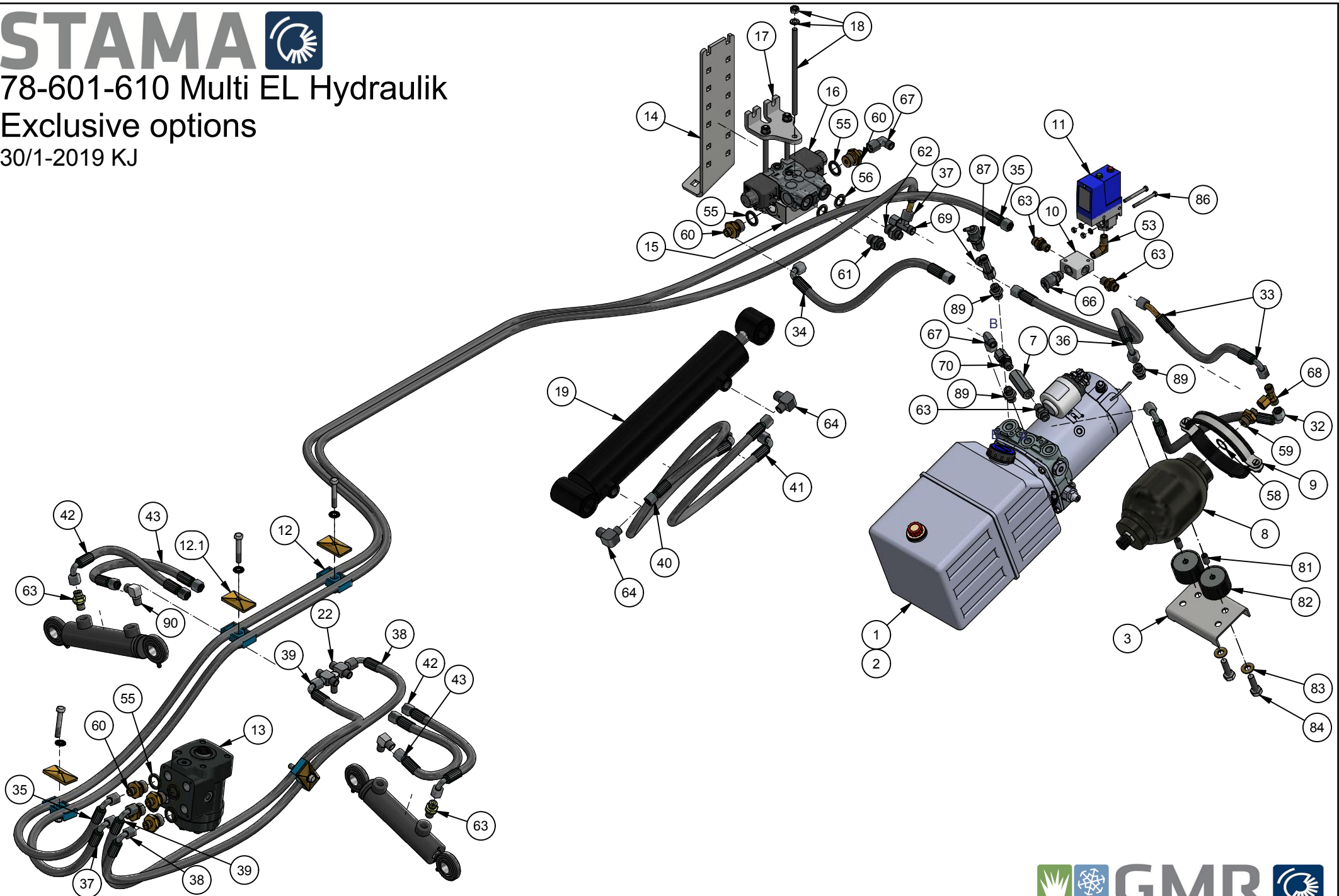
STENSBALLE

NESBO





| Pos. | Benævnelse | Antal | Varenummer | Bemærkning |
|------|--------------------------------|-------|----------------------|--------------------|
| 1 | Bladfjeder | 2 | 78-606-701 | |
| 2 | Forbro f. servostyring | 1 | 78-606-710 | |
| 3 | Fjeder/pendle beslag | 2 | 78-608-250 | |
| 4 | Fjederspændeplade | 1 | 78-608-261 | |
| 5 | Styrtøj - venstre | 1 | 78-601-930 | L |
| 6 | Styrtøj - højre | 1 | 78-601-940 | R |
| 7 | Sporstangsrør | 1 | 78-601-192 | |
| 8 | Styrekugle Links | 1 | 8500-2381 | L |
| 9 | Styrekugle | 1 | 8500-2382 | R |
| 10 | Kontramøtrik | 1 | 78-303-112 | MF20x1,5 Links |
| 11 | Kontramøtrik | 1 | 31-211-020 | MF20x1,5 |
| 12 | Trykleje | 2 | 7500 7205BEP | |
| 13 | Kugleleje | 2 | 54-026-205 | |
| 14 | Låseskive for styrtøj | 2 | 77-801-525 | |
| 15 | Contact-skive | 4 | 35-200-012 | |
| 16 | Sætskrue | 2 | 29-112-030 | |
| 17 | Hydraulikcylinder | 2 | 9796042 | |
| 18 | Låsering - svær | 4 | 20-101-020 | |
| 19 | Forhjul | 2 | 52537580260 | 18" |
| 20 | Låsemøtrik | 2 | 31-101-016 | |
| 21 | Navkapsel for hjul | 2 | 644K | |
| 22 | Støddæmper | 2 | 100033965 | |
| 23 | Slangebeslag for servocylinder | 1 | 77-601-165 | |
| 24 | Kontramøtrik | 1 | 31-201-010 | |
| 25 | Hydraulikslange | 4 | 031-0220-FM140-FM149 | M14xM14 90° 220 mm |
| 26 | Indskrunding | 4 | A08RLWDX | 8L |
| 27 | Facetskive | 2 | 36-300-014 | |
| 28 | Låsemøtrik | 2 | 31-101-014 | |
| 29 | Facetskive | 8 | 36-300-012 | |
| 30 | Låsemøtrik | 8 | 31-101-012 | |
| 31 | Svær skive M12 ø50 | 2 | 36-150-012 | |
| 32 | Sætskrue | 2 | 29-112-025 | |
| 33 | Brædebolt | 2 | 30-112-040 | |
| 34 | Unbracoskrue | 4 | 32-012-050 | |





78-601-610

Hydraulik

Multi EL 30/1-2019



| Pos | Benævnelse | Artikel | Description | # | Nr. | Note |
|------|------------------------------|---------------------------|-------------------------|-----|----------------------|----------------------|
| 1 | Pumpestation | Hydraulikpumpeneinheit | Powerpack | 1 | 2018-0025-1 | |
| 2 | Hydraulikolie | Hydrauliköl | Hydraulic oil | 6 L | 2015-0016 | ISO 32 Arctic |
| 3 | Profil for pumpestation | Spacer plate | Distanzplatte | 1 | 78-601-613 | |
| 7 | Kontraventil | Rückschlagventil | Checkvalve | 1 | A12020001 | |
| 8 | Akkumulator | Akkumulator/Hydrospeicher | Hydro pressure storage | 1 | H1000R30 | |
| 9 | Rørbøjle | Rohrbügel | Pipe bend | 1 | 337329 | |
| 10 | Alu fordelerblok | Verteilerblock | Distributor | 1 | EFK30-3 | 1/4" |
| 11 | Pressostat | Druckschalter | Pressureswitch | 1 | XMLB160D2S11 | |
| 12 | Rørholder | Rohrhalter | Pipeholder | 4 | 2.15/15 | |
| 12.1 | Topplade | Topfplatte | Topplate | 4 | CF2T | |
| 13 | Styre orbitrol | Lenk Orbitrol | Hydraulic steering unit | 1 | 2017-0086 | |
| 14 | Ventilstak beslag | Konsole | Bracket | 1 | 78-601-611 | |
| 15 | Ventil inletmodul | Ventileinlassmodul | Valve inletmodule | 1 | DO6DA5EB00001 | |
| 16 | 4/3-vejs ventil, spærret i 0 | 4/3-Wege Magnetventil | 4/3 way valve | 1 | DO6DE5EA00005R | |
| 17 | Endeplade | Schlussplatte | Endplate | 1 | DO29304E5002R | |
| 18 | Boltekit | Bolzensatz | Bolt kit | 1 | DO590134012R | 2 modules |
| | | | | | DO590175012R | 3 modules |
| | | | | | DO590214012R | 4 modules |
| 19 | Tip cylinder | Kippzylinder | Tipping cylinder | 1 | 9796000 | |
| 21 | Styre cylinder | Servozyylinder | Steering cylinder | 2 | 9796042 | |
| 22 | Slange fordeler | Schlauchverteiler | Hose distributor | 1 | 78-606-740 | |
| 32 | Hydraulikslange | Hydraulikschlauch | Hydraulic hose | 1 | 031-0350-FM149-FM149 | Pump A -> Akku |
| 33 | Hydraulikslange | Hydraulikschlauch | Hydraulic hose | 1 | 031-0250-FM144-FM149 | Akku -> Switch |
| 34 | Hydraulikslange | Hydraulikschlauch | Hydraulic hose | 1 | 031-0500-FM140-FM149 | Pump B -> Stack P |
| 35 | Hydraulikslange | Hydraulikschlauch | Hydraulic hose | 1 | 031-3250-FM140-FM149 | Switch -> Orbitrol |
| 36 | Hydraulikslange | Hydraulikschlauch | Hydraulic hose | 1 | 031-0600-FM140-FM149 | Stack T -> Pump T |
| 37 | Hydraulikslange | Hydraulikschlauch | Hydraulic hose | 1 | 031-3050-FM144-FM149 | Orbitrol -> Stack T |
| 38-9 | Hydraulikslange | Hydraulikschlauch | Hydraulic hose | 2 | 031-1100-FM149-FM149 | Orbitrol -> Steering |
| 40 | Hydraulikslange | Hydraulikschlauch | Hydraulic hose | 1 | 031-1100-FM140-FM149 | Tip Up |



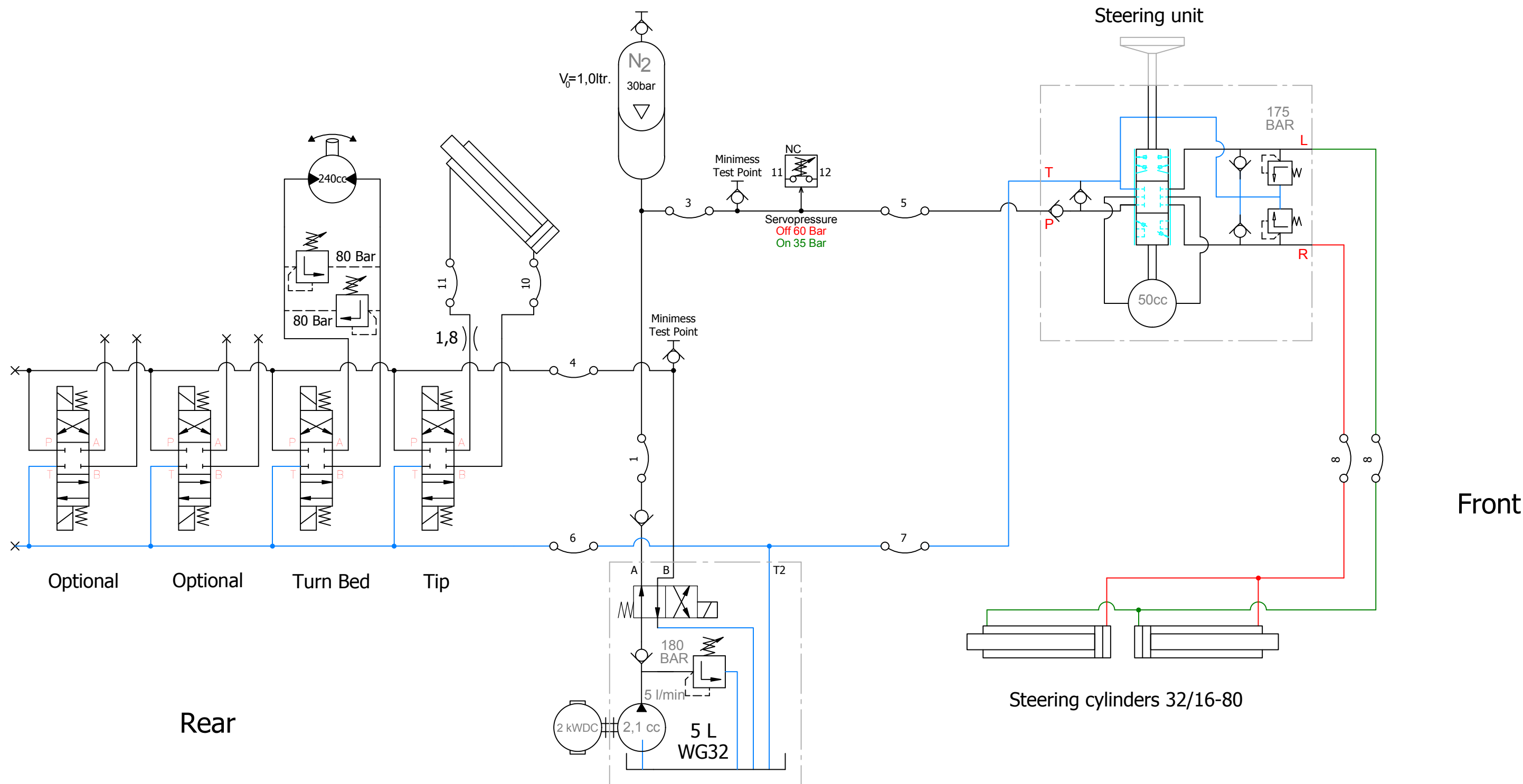
78-601-610

Hydraulik

Multi EL 30/1-2019



| Pos | Benævnelse | Artikel | Description | # | Nr. | Note |
|-----|---------------------|--------------------------------------|--------------------------------|---|----------------------|-----------------------|
| 41 | Hydraulikslange | Hydraulikschlauch | Hydraulic hose | 1 | 031-0750-FM140-FM149 | Tip Down |
| 42 | Hydraulikslange | Hydraulikschlauch | Hydraulic hose | 2 | 031-0750-FM140-FM149 | Steering |
| 43 | Hydraulikslange | Hydraulikschlauch | Hydraulic hose | 2 | 031-0750-FM140-FM140 | Steering |
| 53 | Vinkel | Winkel | Elbow | 1 | 37BK04 | 1/4" BSPT x 1/4" BSPT |
| 55 | Bonded seal tætning | Dichtungsring | Bonded seal | 6 | 42-000-012 | 1/2" |
| 56 | Bonded seal pakning | Dichtungsring | Bonded seal | 4 | 42-000-038 | 3/8" |
| 58 | Kobberskive | Kupferscheibe | Copper sealing ring | 1 | 42-100-018 | |
| 59 | Indskruning | Einschraubverschraubung | Male stud coupling | 1 | A08LM18 | ø8 x 18mm |
| 60 | Indskruning | Einschraubverschraubung | Male stud coupling | 6 | A08LR1/2 | ø8 x 1/2" BSP |
| 61 | Indskruning | Einschraubverschraubung | Male stud coupling | 3 | A08LR3/8 | ø8 x 3/8" |
| 62 | Indskruning | Einschraubverschraubung | Male stud coupling | 1 | A08LR3/8-M8 | ø8 x 3/8" M8 |
| 63 | Indskruning | Einschraubverschraubung | Male stud coupling | 5 | A08RLWDX | ø8 x 1/4" BSP |
| 64 | Vinkel indskruning | Winkel | Elbow | 2 | B08LR3/8X | ø8 3/8" vinkel |
| 66 | Testnippel | Schraubkupplung CSHR14W | Minimess test point | 1 | MT01-104 | 1/4" BSP |
| 67 | Stilbar vinkel 8L | Einstellbar Winkelverschraubung | Adjustable elbow coupling | 2 | VB08LDKO | |
| 68 | Stilbar T ø10 | Einstellbar T-Anschluß-Verschraubung | Adjustable branch tee coupling | 1 | VC10L | |
| 69 | Stilbar L ø8 | Einstellbar L-Anschluß-Verschraubung | Adjustable barrel tee coupling | 2 | VD08L | |
| 70 | Rørstuds | Einschraubstutzen mit Dichtkegel | Stud standpipe adaptor | 1 | VA08RLDKO | 1/4" BSP |
| 81 | Pinolskrue | Anslagskrue | Headless screw | 2 | 32-210-020 | M10x20 |
| 82 | Vibrationsdæmper | Gummi-segmentblock | Vibrationdamper | 2 | 1109-350301070 | ø50 x 30 Shore 70 |
| 84 | Sætskrue | Setzskrue | Set screw | 2 | 29-110-035 | M10 x 35mm |
| 86 | Maskinskrue | Maschinenskrue | Machine screw | 2 | 28-105-050 | M5 x 50 mm |
| 87 | Testnippel | Schraubkupplung Testpunkt | Minimess test point | 1 | 026-022-043 | ø8 |
| 89 | Indskruning | Einschraubverschraubung | Male stud coupling | 3 | A08L9/16UNF | ø8 x 9/16 UNF |
| 90 | Vinkel indskruning | Winkel | Elbow | 2 | B08RL | ø8L - 1/4" BSPT |




| Værktøj type | Nummer | Nr. | Ændring | Sign/dato | Frimål | | |
|--------------|--------|-----|---------|-----------|------------|------|------|
| | | | | | Over - Til | mid. | grov |
| | | | | | 0 - 6 | 0,1 | 0,2 |
| | | | | | 6 - 30 | 0,2 | 0,5 |
| | | | | | 30 - 120 | 0,3 | 0,8 |
| | | | | | 120 - 315 | 0,5 | 1,2 |
| | | | | | 315 - 1000 | 1,0 | 2,0 |
| | | | | | 1000 - | 2,0 | 3,0 |

Hydraulic Schematic

Model: Multi EL 2016

Mål: 1 : 1
 Dato: KJ 29-02-2016
 Erst.: 78-410-230
 Nummer: 78-601-610
 Schematic ver 3
 Erst.af: ver 3



H:\STAMA\Multi EL 2016\Hydraulik\78-601-610 Schematic ver 3.idw

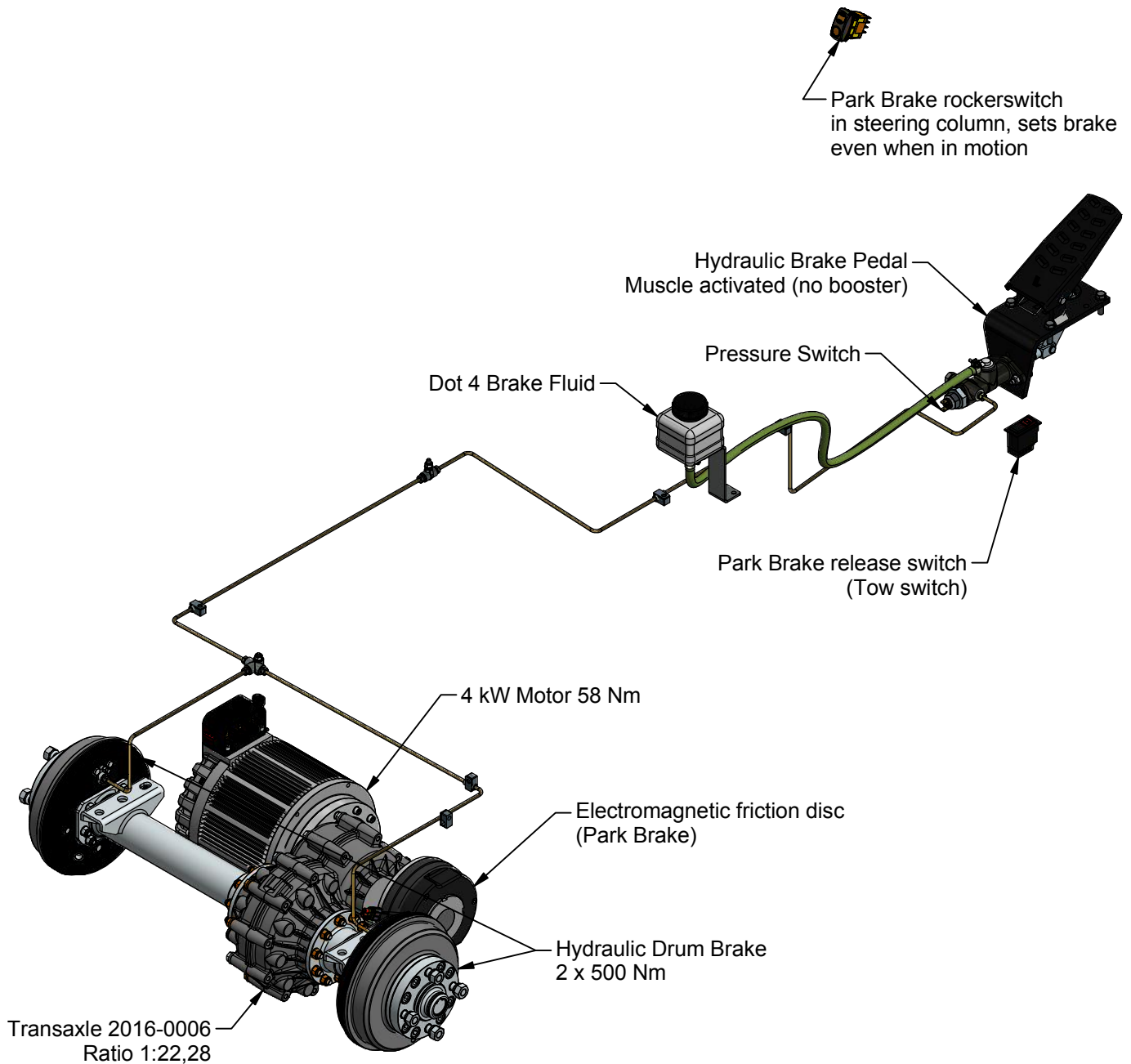
Vægt:

Brake System

Multi EL Model 2016

5/7-2018 KJ

- First service brake: Release Throttle (Motorbrake) max 1292 Nm
- Second service brake: Hydraulic Brake Pedal, max 1000 Nm
- Park brake: Electromagnetic friction Disc, max 713 Nm
Sets at stand-still, power loss or rockerswitch in steering column



Bremser, Bremsen, Brake:

Multi EL 78-601-630 - 6/1-2017

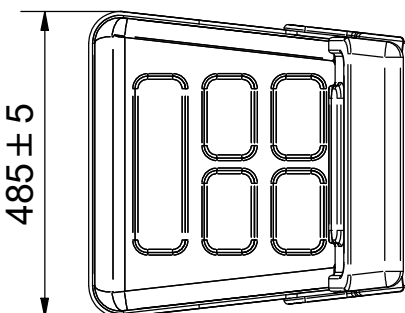
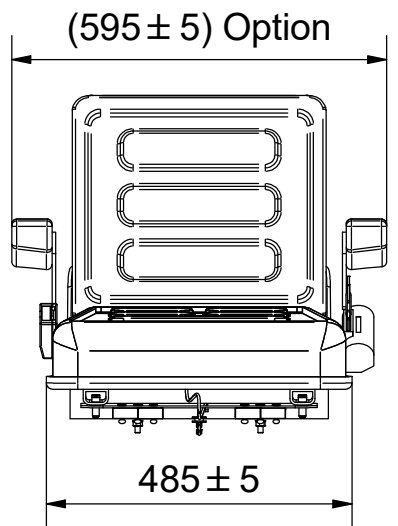
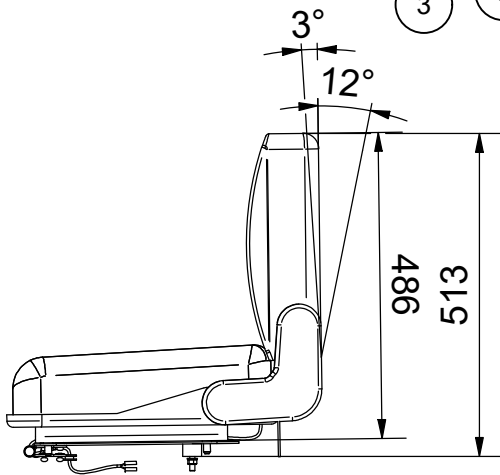
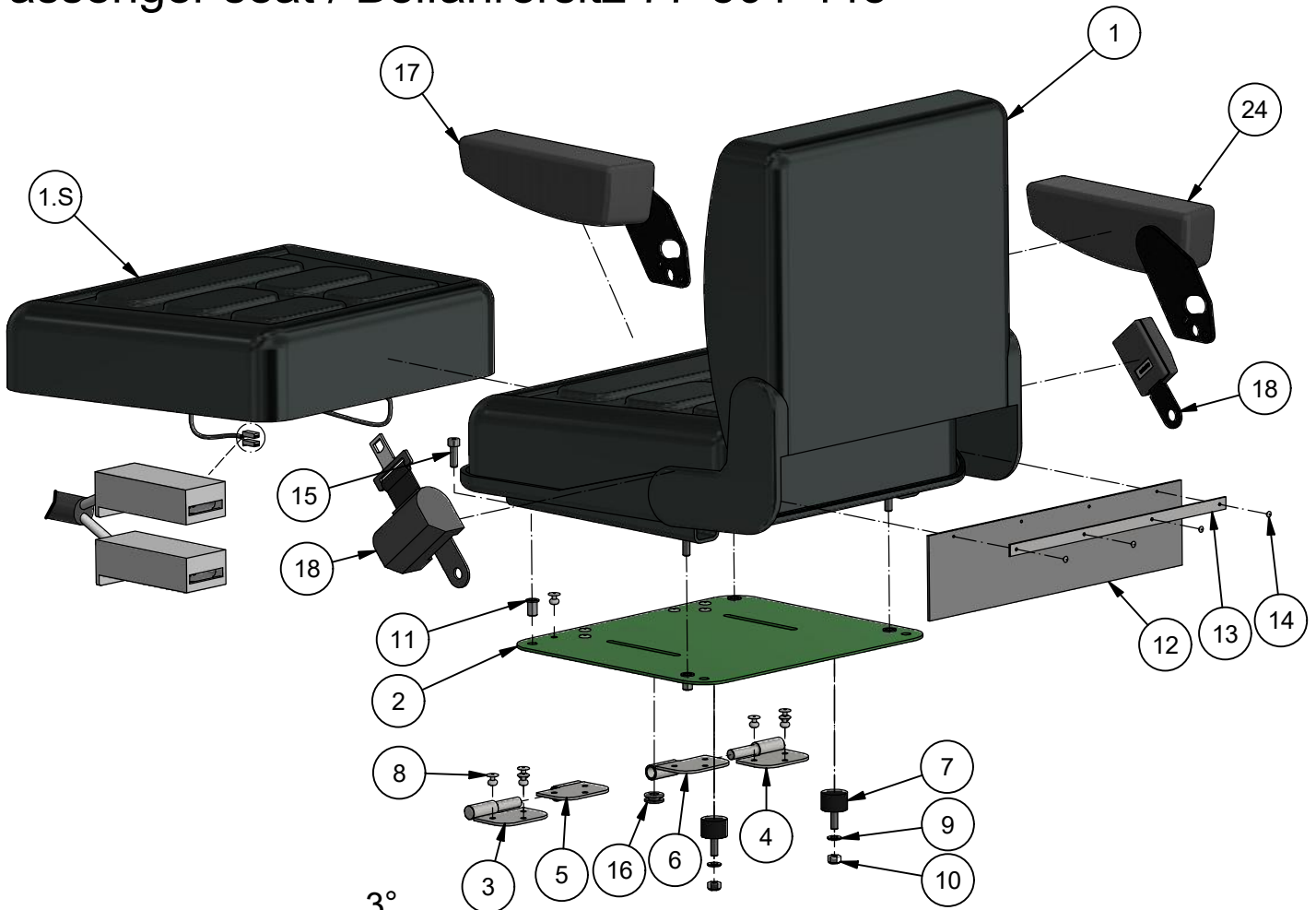


| <i>Pos.</i> | <i>Benævnelse</i> | <i>Antal</i> | <i>Varenummer</i> | <i>Bemærkning</i> |
|-------------|-------------------------------|--------------|-------------------|-------------------|
| 1 | Bremsepedal m. hovedcylinder | 1 | VPF004238 | |
| 2 | Pressostat f. bremsetryk fast | 1 | 11000IDRO | |
| 3 | Kobberring | 2 | 42-100-010 | 10 mm |
| 4 | Blændprop | 1 | 78-301-115 | M10x1,25 |
| 5 | Bremsevæskebeholder | 1 | KT003630 | |
| 6 | Bremsevæskeslange grøn | 0,4 | 28-06 | 6 mm |
| 7 | Minispændebånd | 1 | 1150-500013 | 13 mm |
| 8 | Minispændebånd | 1 | 1150-500012 | 9-12 mm |
| | Bremsevæske | 0,4 L | PLM 2886 | DOT 4 |
| 9 | Bremserør for til midt | 1 | 78-601-631 | |
| 10 | Bremserør midt til bag | 1 | 78-601-632 | |
| 11 | Bremserør højre | 1 | 78-601-633 | |
| 12 | Bremserør venstre | 1 | 78-601-634 | |
| 13 | Bremserørs samler | 1 | 78-301-130 | |
| 14 | Bremserørs T-stykke | 1 | 8105-3787 | M10x1,0 |
| 15 | Rørholder enkelt | 4 | 030-132-008 | 8 mm |
| 21 | Facetskive | 4 | 36-300-008 | |
| 22 | Sætskrue | 4 | 29-108-030 | M8 |
| 23 | Sætskrue | 1 | 29-106-030 | M6 |
| 24 | Facetskive | 2 | 36-300-006 | |
| 25 | Låsemøtrik | 2 | 31-101-006 | |

STAMA-HTF



Driver seat / Fahrersitz 78-601-680
Passenger seat / Beifahrersitz 77-501-445



23 kg



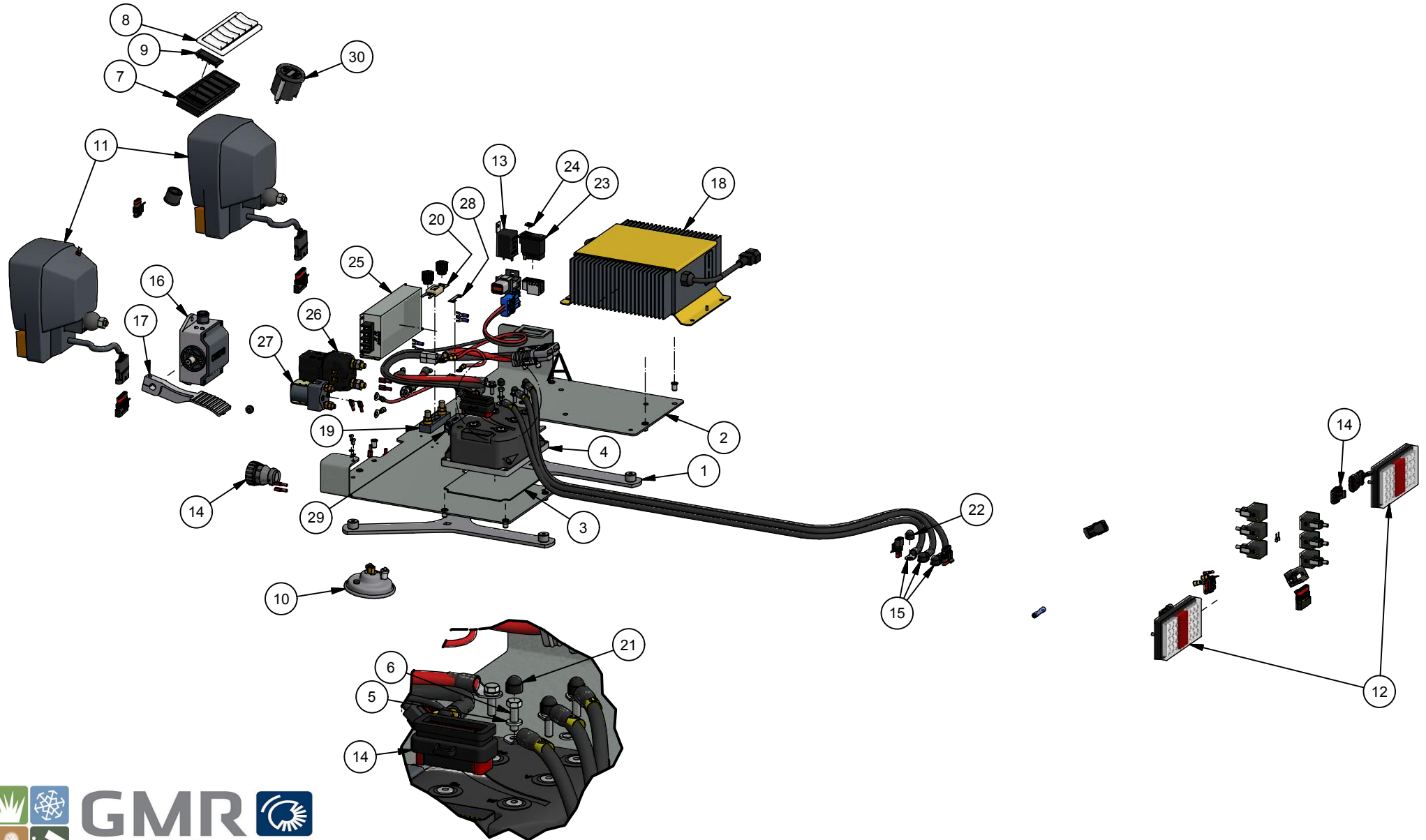
| <i>Pos.</i> | <i>Benævnelse</i> | <i>Antal</i> | <i>Varenummer</i> | <i>Bemærkning</i> |
|-------------|-------------------------|--------------|-------------------|-------------------|
| 1 | Sæde med kontakt | 1 | 2015-0093 | 78-601-680 |
| | Sæde uden kontakt | 1 | 2015-0094 | 77-501-440 |
| 1.S | Sædepude, sædekontakt | 1 | 1350-200630 | 78-601-680 |
| 2 | Vippeplade | 1 | 77-501-436 | |
| 3 | Hængsel - han/højre | 1 | 223-002-15 | |
| 4 | Hængsel - han/venstre | 1 | 223-002-10 | |
| 5 | Hængsel - hun/højre | 1 | 223-002-20 | |
| 6 | Hængsel - hun/venstre | 1 | 223-002-25 | |
| 7 | Gummibuffer | 2 | 5130204 | |
| 8 | Popnitte | 12 | 959-6-8 | |
| 9 | Facetskive | 2 | 36-300-008 | |
| 10 | Låsemøtrik | 2 | 31-101-008 | |
| 11 | Blindnittemøtrik | 4 | 1111-08-017 | |
| 12 | Gummiplade | 1 | 78-502-751 | 78-601-680 |
| 13 | Monterings skinne | 1 | 78-502-752 | 78-601-680 |
| 14 | Popnitte | 4 | 950-4-5 | 78-601-680 |
| 15 | Rundhovedet Unbracobolt | 4 | 32-108-025 | |
| 16 | Gummigennemføring | 1 | 1435-200017 | |
| 17 | Armlæn - sæt | Option | 2015-0091 | Option |
| 18 | Rullesele | Option | 2015-0092 | Option |

STAMA-HTF



78-601-620 Multi EL Electrics, Elektrik

18/7-2017





| Pos. | Benævnelse | Antal | Varenummer | Bemærkning |
|-------------|------------------------------|--------------|-------------------|--------------------|
| 1 | Beslag for el-boks | 1 | 78-601-820 | |
| 2 | Plade for el-styring | 1 | 78-601-621 | |
| 3 | Køleplade indlæg Curtis 1232 | 1 | 78-601-622 | |
| 4 | Motorstyring 36/48 VAC 350 A | 1 | 2016-0018 | |
| 5 | Schnorr hs sikrings-skive | 5 | 35-500-006 | Schnorr 416320 |
| 6 | Stålsætskrue | 5 | 29-106-020 | |
| 7 | Ramme for 6 kontakter | 1 | 595902 | |
| 8 | Afdækning for 6 kontakter | 1 | 594268 | |
| 9 | Afdækning for kontakt | 6 | 596273 | |
| 10 | Horn | 1 | 1319-100231 | 12V |
| 11 | Forlygte m/multistik | 2 | 78-410-215 | 12V |
| 12 | Baglygte LED m/multistik | 2 | 78-301-120 | |
| 13 | Blinkrelæ LED blinklys | 1 | 2016-0020 | |
| 14 | Ledningsnet | 1 | 9806150 | |
| 15 | Batterikabler | 1 | 9806160 | 35 mm ² |
| 16 | Gas pedal komplet | 1 | 78-301-135 | |
| 17 | Pedal | 1 | 2015-0004 | |
| 18 | Lader | 1 | 18141700-4801 | 48V 18A |
| 19 | Sikringsholder | 1 | 010-300-121 | |
| 20 | Hovedsikring | 1 | 010-300-122 | 200A |
| 21 | Bolthætte | 4 | RM-12837-500 | M6 |
| 22 | Bolthætte | 3 | RM-12338-500 | M8 |
| 23 | Omskifterkontakt | 1 | 511106 | Double |
| 24 | Symbol Løsne Bremse | 1 | 596174 | |
| 25 | Omformer | 1 | RSD-200C-12 | 200W |
| 26 | Hovedrelæ | 1 | 2015-0041 | 48V |
| 27 | Pumperelæ | 1 | 2017-0045 | 12V |
| 28 | Strip sikring | 1 | 191186 | 50A |
| 29 | sikringsholder Strip sikring | 1 | 191190 | |
| 30 | Informationsdisplay | 1 | 17472703 | |

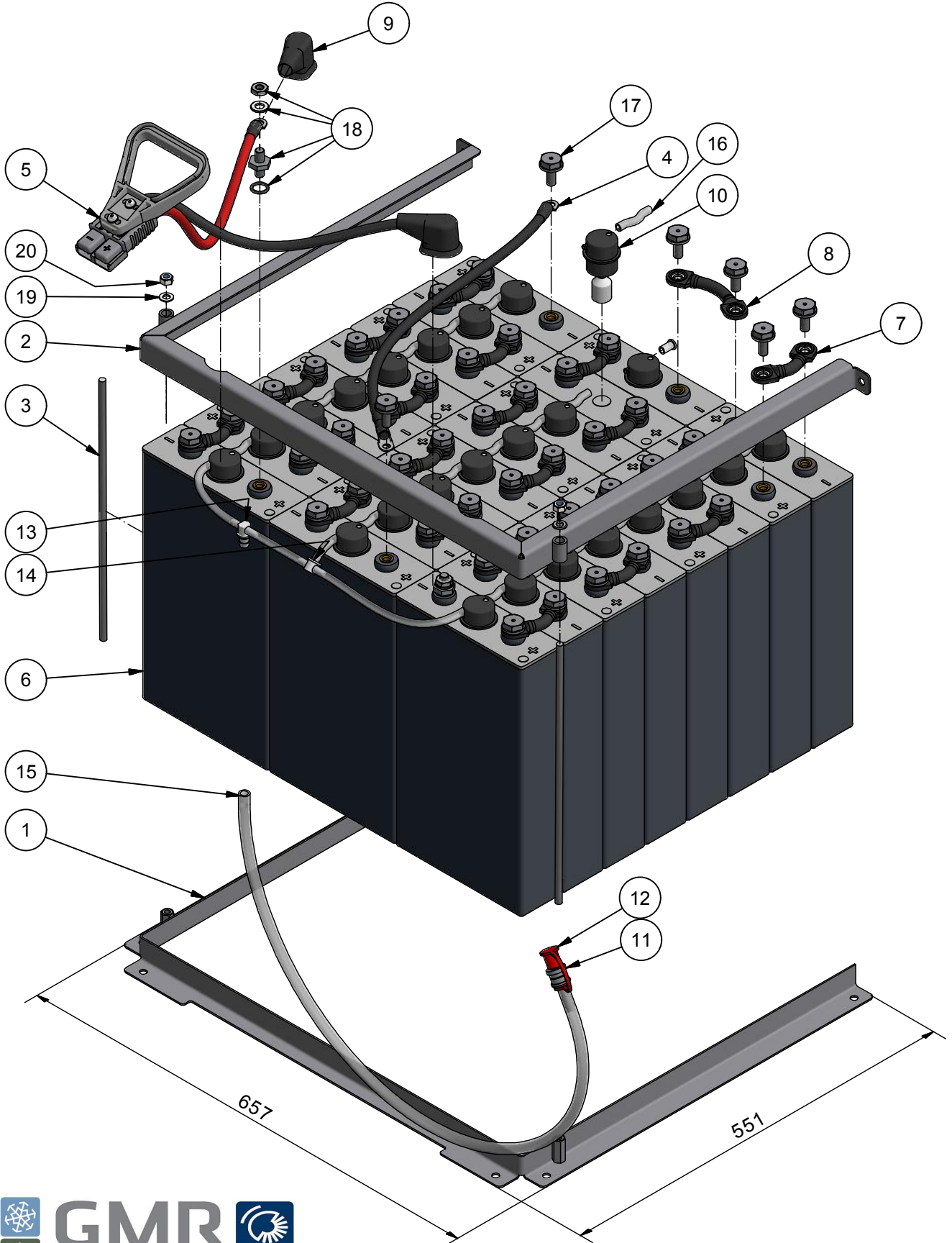
STAMA-HTF



78-601-400 48V 180Ah Battery 296 kg

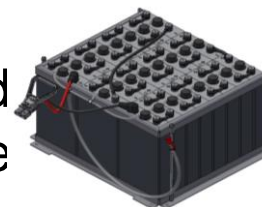
Multi EL 2017

7/8-2017 KJ



Batteripakke bly-syre, Lead-Acid battery, Batteriepaket Blei-Säure

48V 180Ah 78-601-400 - 26/1.2016

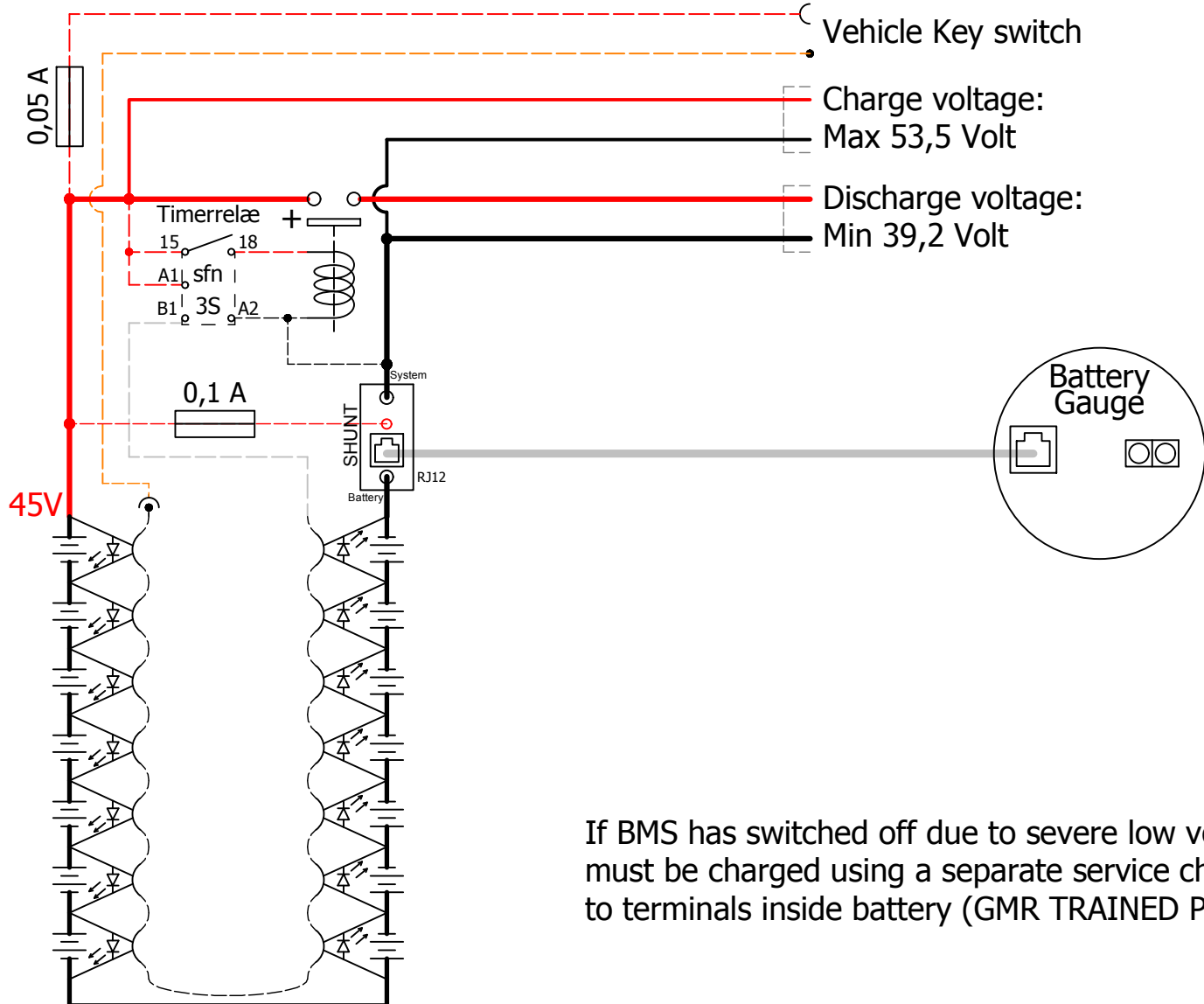
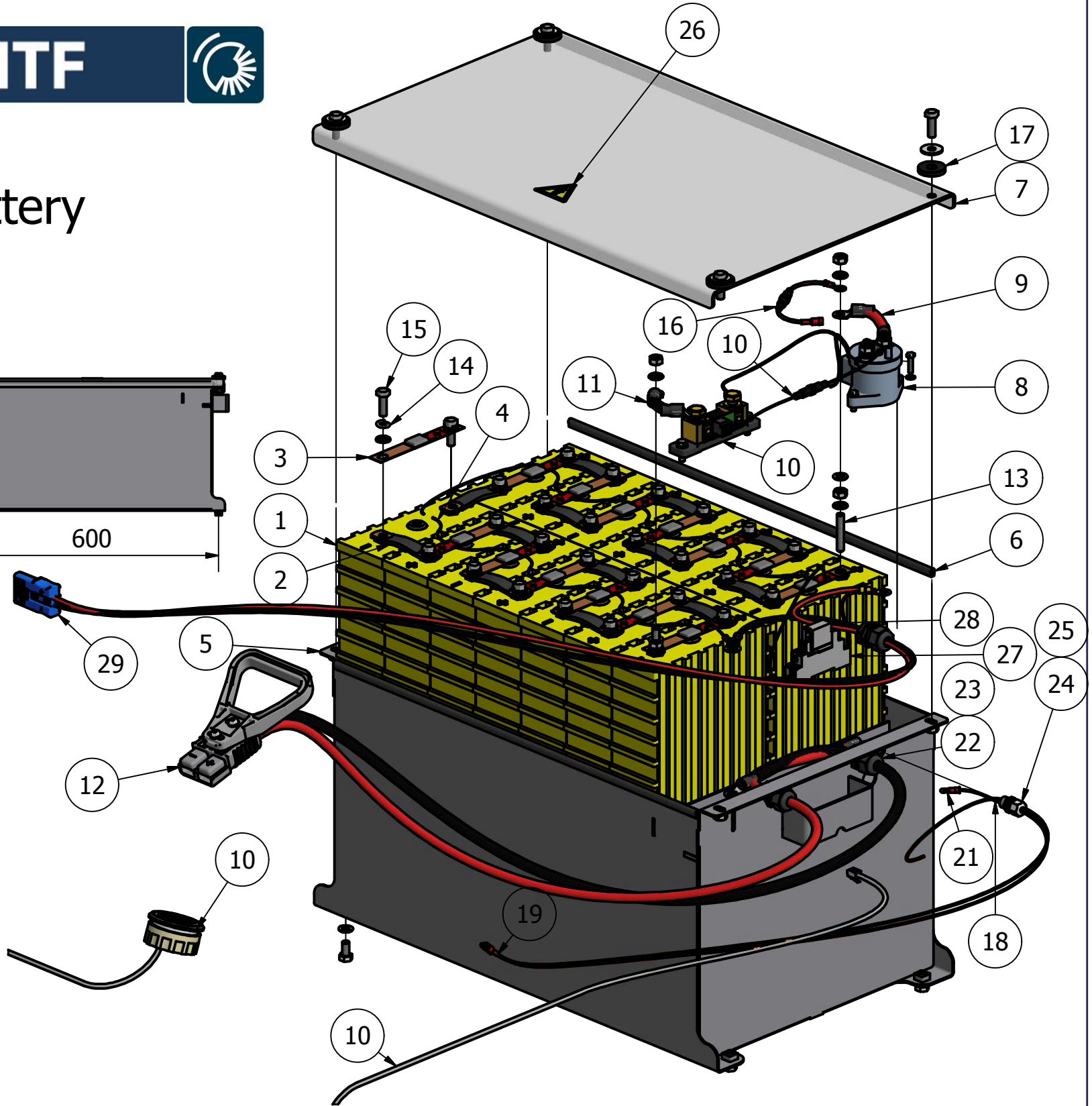
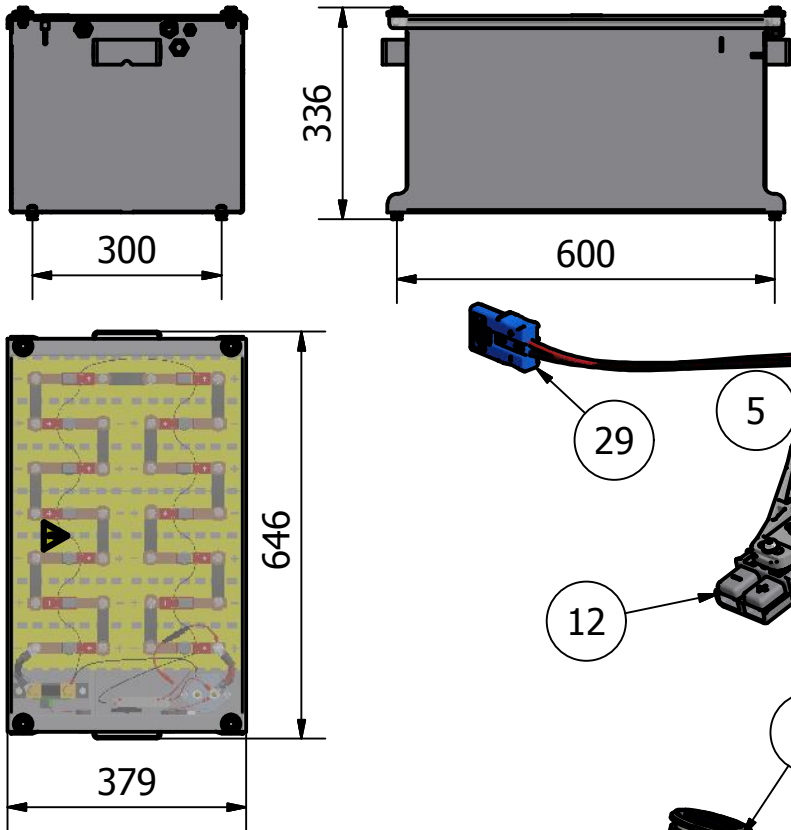


| <i>Pos.</i> | <i>Benævnelse</i> | <i>Antal</i> | <i>Varenummer</i> | <i>Bemærkning</i> |
|-------------|------------------------------|--------------|-------------------|--------------------------|
| 1 | Bly batteri holder bund | 1 | 78-601-410 | |
| 2 | Bly batteri holder top | 1 | 78-601-415 | |
| 3 | Gevindstang | 2 | 78-601-401 | 350 mm |
| 4 | Batterikabel forbinder | 1 | 78-601-403 | 35mm ² x ? mm |
| 5 | Batterikabelsæt m. truckstik | 1 | 78-601-404 | 175 A |
| 6 | Battericelle | 24 | 3PZS 180 | 180 Ah |
| 7 | Forbindelseskabel | 21 | 35# x 75 | |
| 8 | Forbindelseskabel | 1 | 35# x 95 | |
| 9 | Beskyttelseshætte | 2 | HAG 156 | |
| 10 | Vandfylddeprop med ventil | 24 | 78-010-154.5 | BFS |
| 11 | Lynkobling | 1 | 78-010-154.5 | |
| 12 | Beskyttelseskappe | 1 | 78-010-154.5 | |
| 13 | T-stykke | 1 | 78-010-154.5 | 8-12-8 |
| 14 | T-stykke | 1 | 78-010-154.x | 8-8-8 |
| 15 | Vandfyldeslange | 1 m | 78-010-154.x | Ø8 |
| 16 | Vandfyldeslange | 3 m | 78-010-154.x | Ø6 |
| 17 | Batteribolt | 22 | 78-010-154.3 | M10 |
| 18 | Polbolt, komplet | 2 | 380525801 | M10 |
| 19 | Facetskive | 2 | 36-300-008 | |
| 20 | Låsemøtrik | 2 | 31-101-008 | |
| | Syremåler (ikke vist) | 1 | 220-020-58 | |

STAMA-HTF



78-601-450
 46V 160Ah Battery
 Mass 102 kg
 10/8-2017 KJO

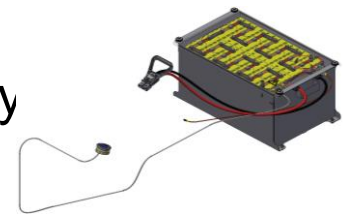


If BMS has switched off due to severe low voltage, then the battery must be charged using a separate service charger directly attached to terminals inside battery (GMR TRAINED PERSONEL ONLY)

45V 160 Ah Lithium Battery

Batteriepaket Lithium

Multi EL 78-601-450 - 23/10.2017

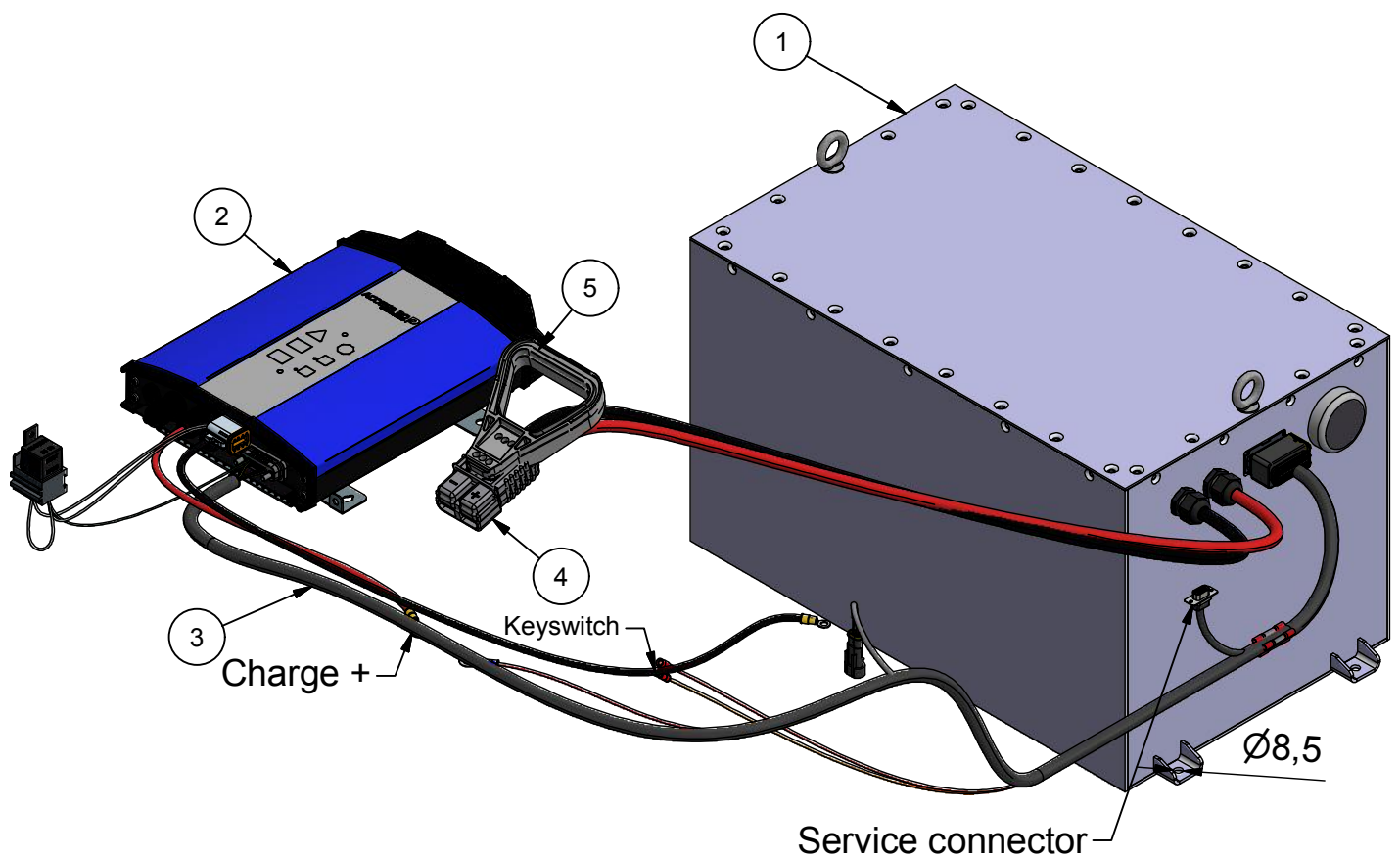
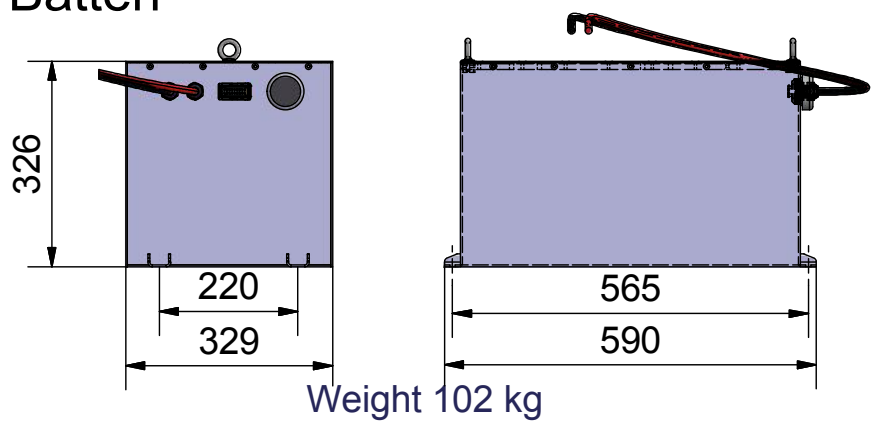


| Pos. | Benævnelse | Antal | Varenummer | Bemærkning |
|------|-----------------------------|-------|--------------|--------------------|
| 1 | Battericelle | 14 | LFP160AHA | 160 Ah (Yellow) |
| | | 14 | SP-LFP200AHA | 200 Ah (Black) |
| 2 | Forbinder kobberplader | 13 | LFP160-CON | |
| 3 | Batteriføler | 14 | BMS-CM160 | |
| 4 | Styreledning (loddet) | 12 | 1430-001000 | |
| 5 | Batterikasse | 1 | 78-708-210 | |
| 6 | Kantgummi | 2 | Kantgummi | |
| 7 | Afdækningsplade | 1 | 78-601-451 | |
| 8 | Hovedrelæ | 1 | 2016-0009 | 500 A |
| 9 | Batterikabel rød | 1 | 78-601-471 | 35 mm ² |
| 10 | Batteri måler komplet | 1 | 2016-0035 | |
| 11 | Batterikabel sort | 1 | 78-601-473 | 35 mm ² |
| 12 | Batteristik med kabler | 1 | 78-601-490 | |
| 13 | Pinolskrue | 2 | 32-208-045 | |
| 14 | Fjederskive | 26 | 35-000-008 | |
| 15 | Sætskrue | 30 | 29-108-025 | |
| 16 | Finsikringsholder | 1 | 2016-0032 | 0,05 F |
| 17 | Gummiskive | 4 | 35-930-012 | |
| 18 | Styreledning rød | 2 m | 1430-001510 | |
| 19 | Styreledning orange | 2 m | 192289 | |
| 20 | Rundstiksko hun | 1 | 1440-000213 | 4 mm |
| 21 | Rundstiksko han | 1 | 1440-000217 | 4 mm |
| 22 | Kabelforskruning | 2 | 1234P13 | PG 13,5 |
| 23 | Forskruningsmøtrik | 2 | 3420/13 | |
| 24 | Kabelforskruning | 1 | 1234P07 | |
| 25 | Forskruningsmøtrik | 1 | 3420/07 | |
| 26 | Klistermærke Advarsel strøm | 1 | 09-700-001 | |
| 27 | Timerrelæ | 1 | 2018-0004 | |
| 29 | Batteriladestik med kabler | 1 | 78-601-453 | |



78-702-100 48V 125Ah Batteri

29/8-2018



Position 3 Wire Harness 78-702-150 (schematic 9806180)

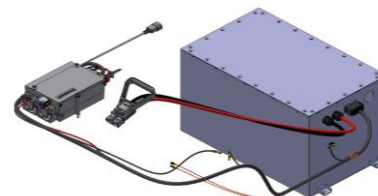




Jungheinrich Batteri

Option 78-702-100

29/8-2018



| <i>Pos.</i> | <i>Benævnelse</i> | <i>Antal</i> | <i>Varenummer</i> | <i>Bemærkning</i> |
|-------------|-------------------|--------------|-------------------|-------------------|
| 1 | Lithium batteri | 1 | 2017-0099 | 51V 125Ah |
| 2 | Lader | 1 | 2017-0010 | 17.5 A |
| 3 | Ledningsnet | 1 | 78-702-150 | |
| 4 | Batteristik | 1 | 010-300-124 | CB175 |
| 5 | Håndtag for stik | 1 | 010-300-125 | |



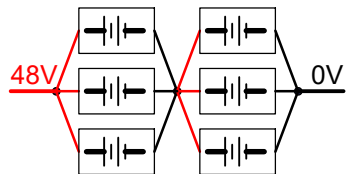
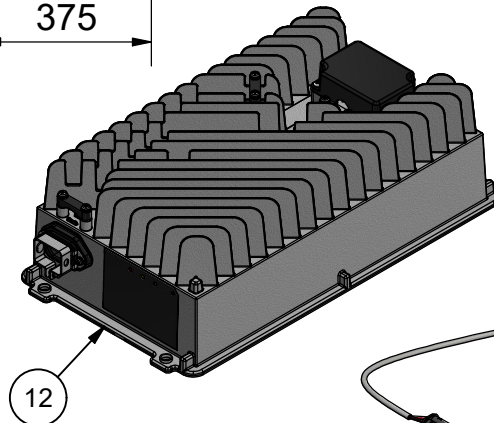
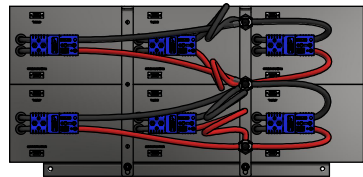
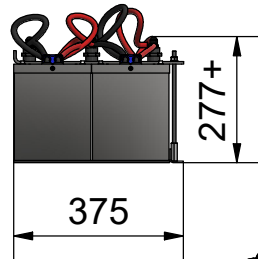
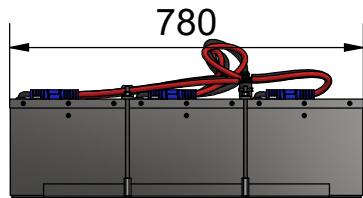
Multi battery option 78-601-445

48V 180Ah Lithium NMC

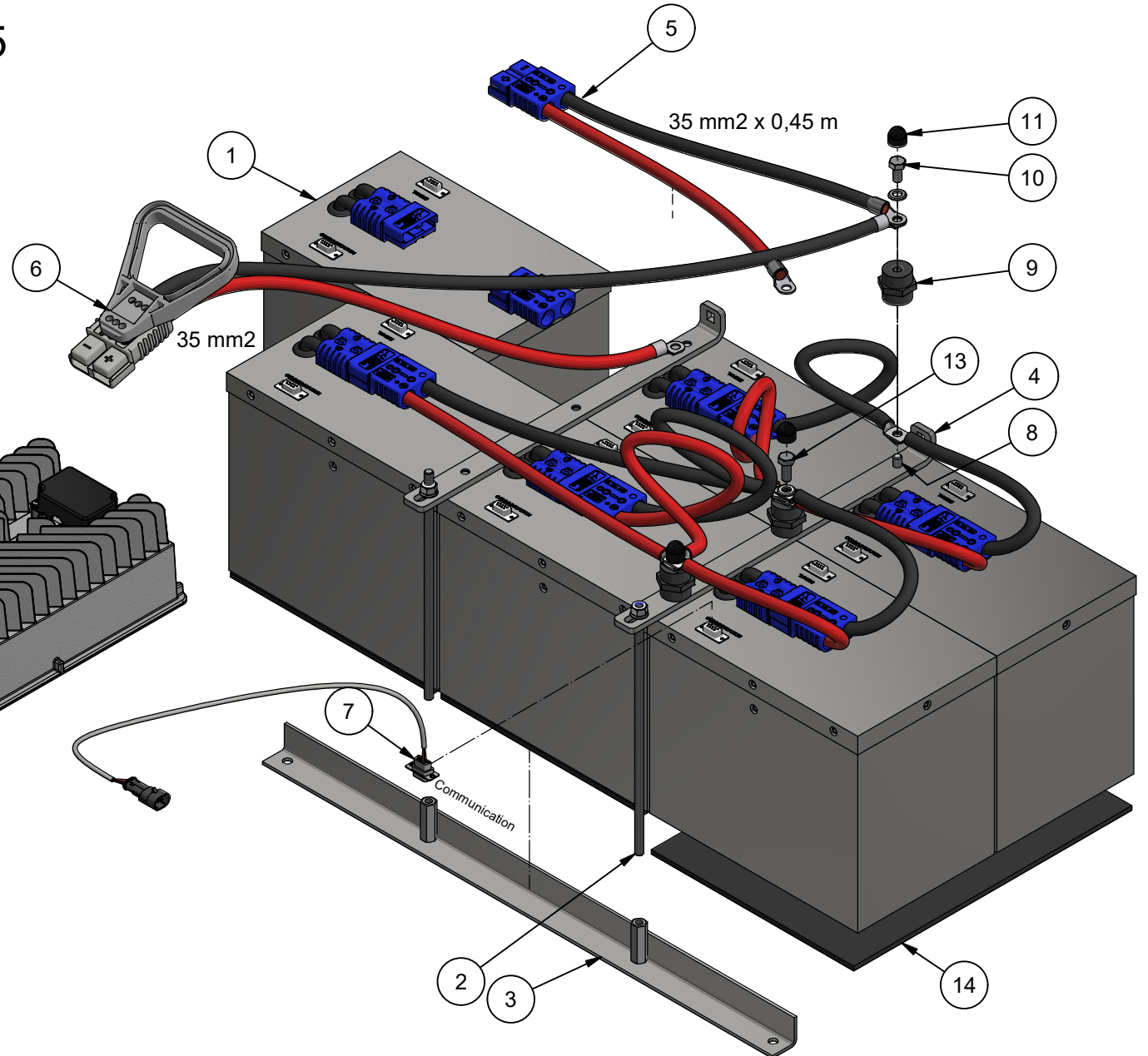
DeltaQ Quiq SW V3.9.2.1 algorithm 163

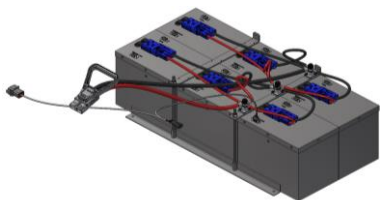
Lester charge profile 22025

Weight 85 kg 30/12-2021 KJ



Check that halfpack voltages are equal (balanced)





Multi Option 78-601-445

Lithium NMC Battery 48V 180Ah

30/12-2021 KJ



| Pos. | Benævnelse | Description | Artikel | # | Nr. | Note |
|-------------|--------------------------------|----------------------------|--------------------------|----------|---------------|-----------------------------|
| 1 | Litium MNC batteri IP54 | Battery pack | Lithium NMC Batterie | 6 | 2019-0077 | 24V 60Ah |
| 2 | Gevindstang | Threaded rod | Gewindestange | 2 | 78-601-442 | M8 x 243 |
| 3 | Spændebeslag bund | Battery clamping bracket | Batterieklemmhalterung | 1 | 20-04-510 | |
| 4 | Spændebeslag top | Battery bracket | Batteriehalterung | 2 | 20-04-521 | |
| 5 | Batteristik | Battery connector | Batteriestecker | 6 | 20-04-530 | 35 mm ² x 0,45 m |
| 6 | Hovedafbryder/stik | Main connector with handle | Hauptanschluss mit Griff | 1 | 20-04-540 | |
| 7 | Kommunikationsledning | Communication harness | Kommunikationskabel | 1 | 9806145 | CAN |
| 8 | Undersænket skrue | Countersunk screw | Senkschraube | 3 | 32-008-016 | M8 x 16 |
| 9 | TM Isolator | Terminal isolator | Klemmenisolator | 3 | 2021-0014 | 2 x M8 |
| 10 | Sætskrue | Machine screw | Stellschraube | 2 | 29-108-016 | M8 x 16 |
| 11 | Bolthætte | Bolt cap | Bolzkappe | 3 | RM-12338-500 | M8 |
| 12 | Deltaq Quic (gult) ladeapparat | Onboard charger | Gelb Ladegerät | 1 | 18141700-4801 | -> 2021 |
| | Lester (aluminium) ladeapparat | Onboard charger | Alu Ladegerät | | 2021-0008 | 2022 -> |
| 13 | Sætskrue | Machine screw | Stellschraube | 1 | 29-108-020 | M8 x 20 |
| 14 | Gummibånd | Base layer | Unterlage | 3 | 20-04-522 | GUMMI 250x5 L=344 |



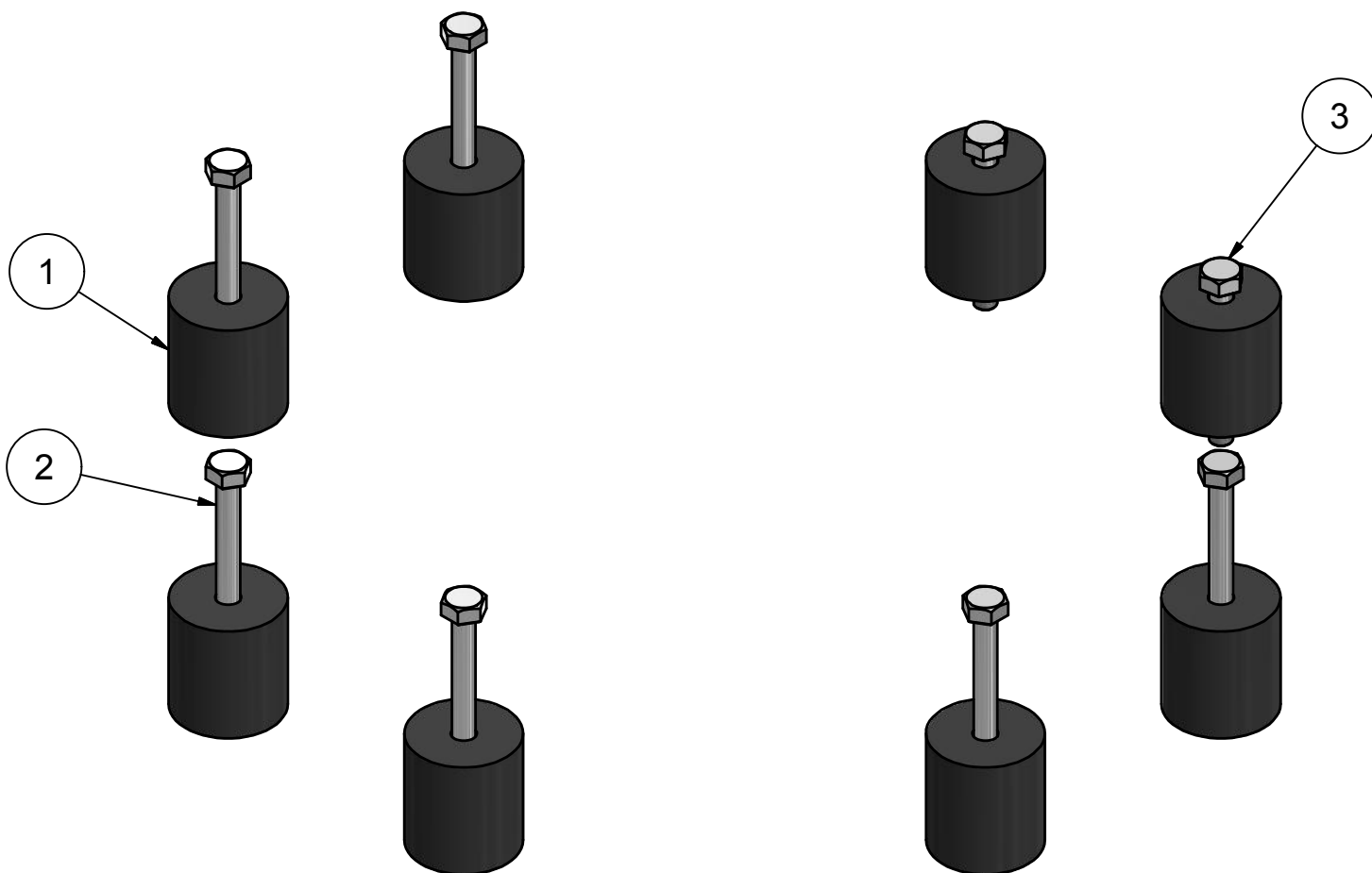


Multi EL 78-601-500-0 23/5-2016 KJ

Dele for kun bag tip

Parts for rear tipping only

Teile für nur hinten Kippen





Bag tip, Rear tip, Hinten kippen

Multi EL option 78-601-500-0 - 27/7-2017



| <i>Pos.</i> | <i>Benævnelse</i> | <i>Antal</i> | <i>Varenummer</i> | <i>Bemærkning</i> |
|-------------|----------------------------|--------------|-------------------|-------------------|
| 1 | Afstandsstykke f. fast lad | 8 | 78-601-506 | Ø50 x 55 |
| 2 | Maskinbolt | 6 | 28-110-130 | M10 x 130 |
| 3 | Maskinbolt | 2 | 28-110-080 | M10 x 80 |

STAMA-HTF

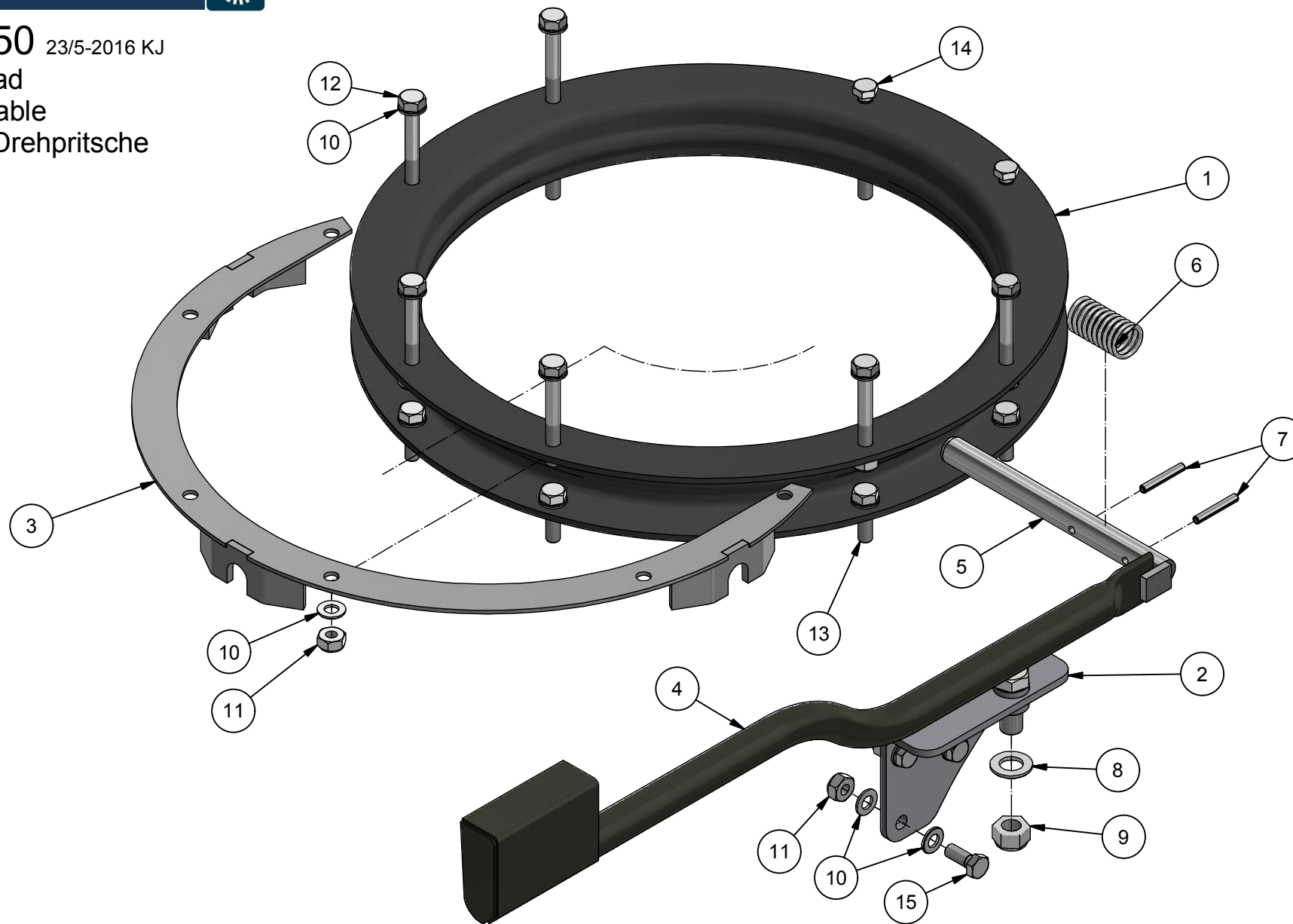


78-601-550 23/5-2016 KJ

Lås for drejelad

Lock of Turntable

Sperren des Drehpritsche





Dreje lad, Turn Table, Dreh Pritsche
Multi EL Option 78-601-550
27/7-2017

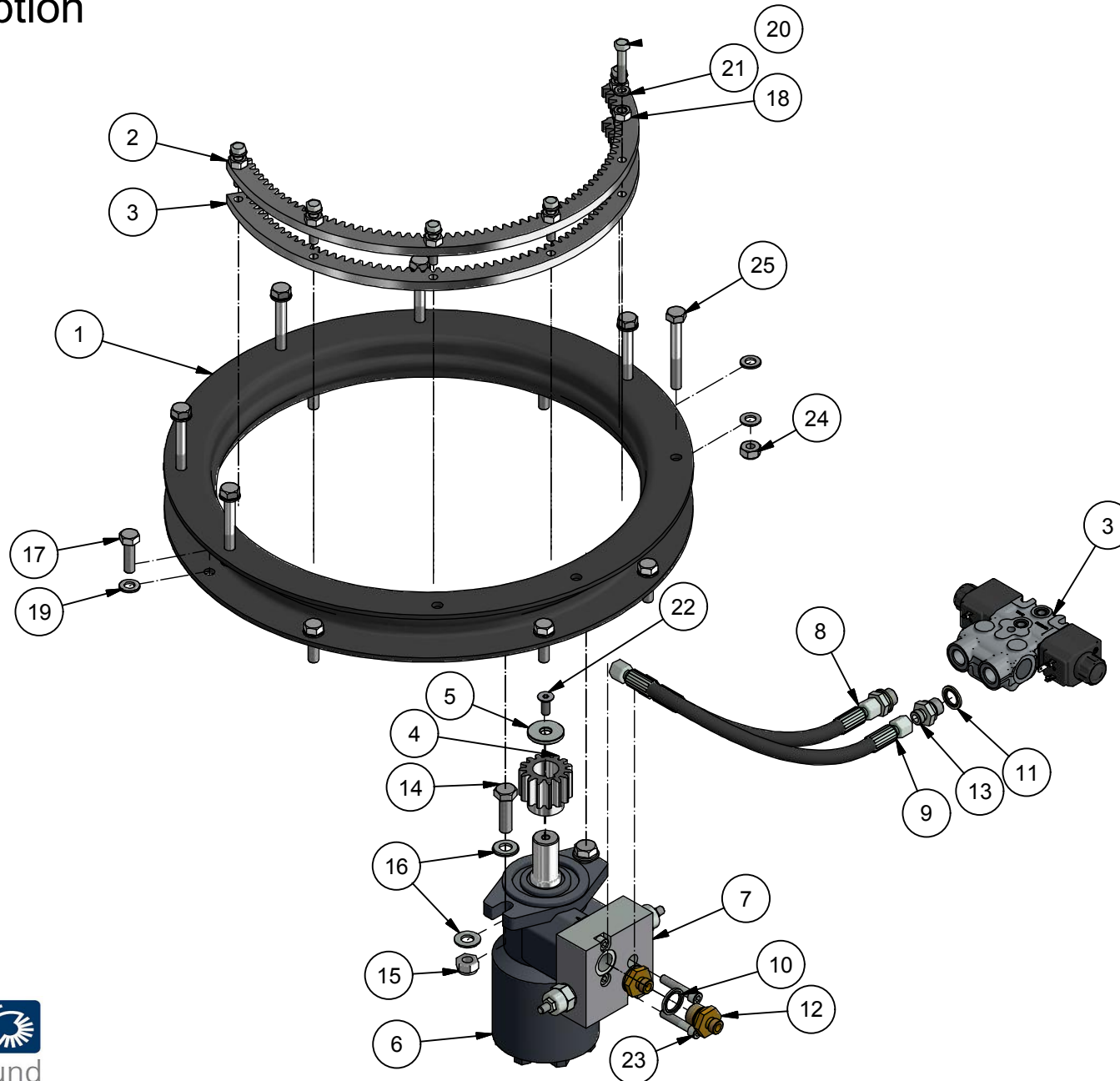


| <i>Pos.</i> | <i>Benævnelse</i> | <i>Antal</i> | <i>Varenummer</i> | <i>Bemærkning</i> |
|-------------|------------------------------|--------------|-------------------|-------------------|
| 1 | Drejekrans | 1 | 78-601-505 | 500 mm |
| 2 | Holder for lås, drejelad | 1 | 78-601-580 | |
| 3 | Låsetappe-krans for drejelad | 1 | 78-601-570 | |
| 4 | Udløserarm for drejelad | 1 | 78-601-560 | |
| 5 | Akseltap for drejelad | 1 | 78-601-575 | |
| 6 | Trykfjeder | 1 | 5195 2290 25 | |
| 7 | Rørstift | 2 | 38-306-040 | ø6 x 40 |
| 8 | Facetskive | 1 | 36-300-016 | 16 mm |
| 9 | Låsemøtrik | 1 | 31-101-016 | M16 |
| 10 | Facetskive | 28 | 36-300-010 | 10 mm |
| 11 | Låsemøtrik | 11 | 31-101-010 | M10 |
| 12 | Maskinbolt | 6 | 28-110-080 | M10 x 80mm |
| 13 | Sætskrue | 8 | 29-110-035 | M10 x 35mm |
| 14 | Sætskrue | 2 | 29-110-030 | M10 x 30mm |
| 15 | Sætskrue | 3 | 29-110-025 | M10 x 25mm |



78-601-600 Hydraulisk sving, Hydraulisch drehen, Hydraulic rotation Multi EL 2016 Option

11/6-2016 KJ





Hydraulisk sving, Hydraulisch drehen,
Hydraulic rotation

Multi EL Option 78-601-600

29/7-2017



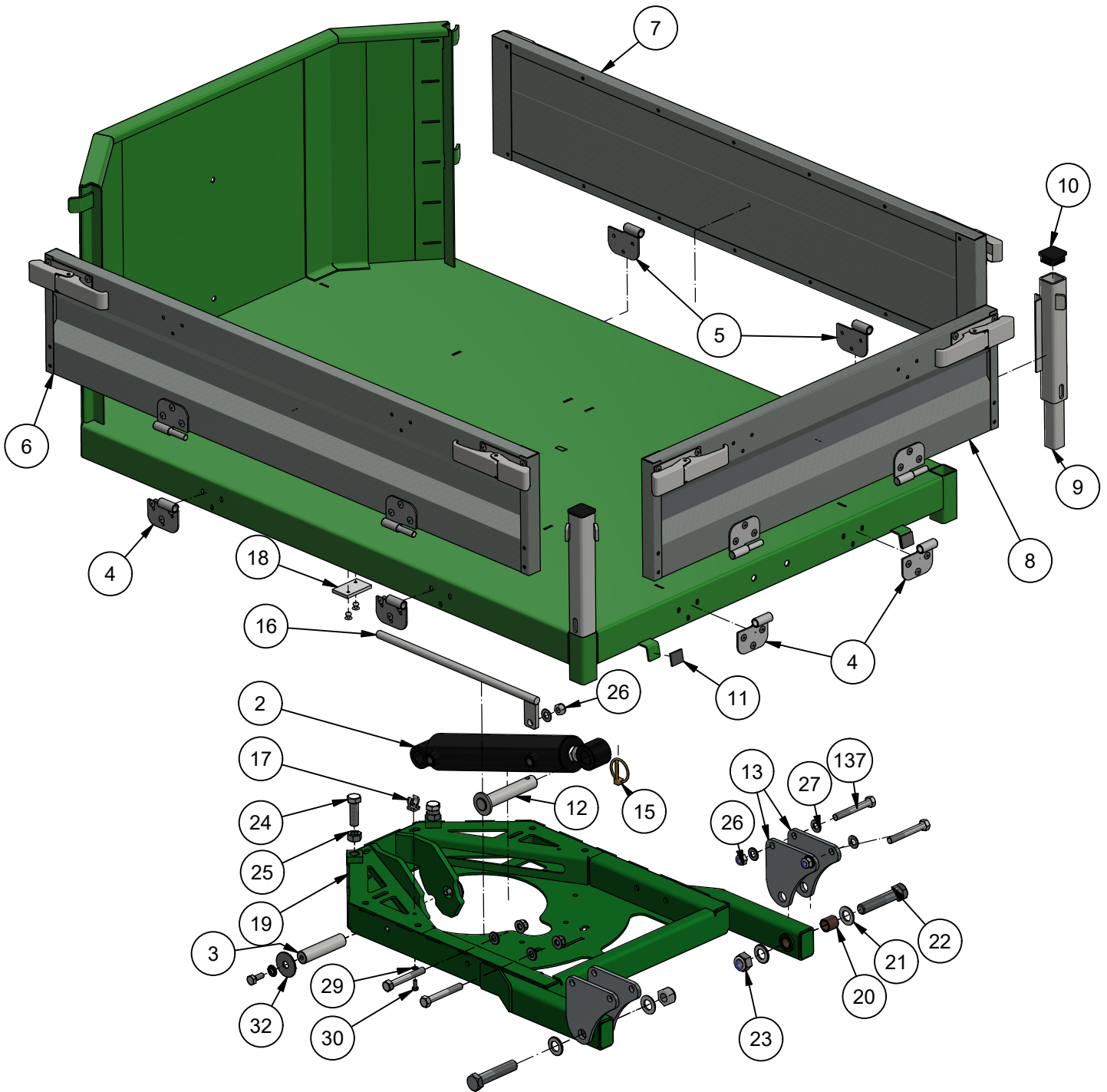
| <i>Pos.</i> | <i>Benævnelse</i> | <i>Antal</i> | <i>Varenummer</i> | <i>Bemærkning</i> |
|-------------|--------------------------------|--------------|----------------------|-------------------|
| 1 | Drejekrans | 1 | 78-601-505 | 500 mm |
| 2 | Intern tandkrans | 2 | 78-601-501 | m3 z120 |
| 3 | 4/3vejs modul, spærret i 0 | 1 | 2017-0001 | |
| 4 | Tandhjul | 1 | 78-601-502 | m3 z15 |
| 5 | Svær skive | 1 | 36-140-010 | |
| 6 | Hydraulikmotor | 1 | W255240A6312 | |
| 7 | Dobbelt trykbegrænsningsventil | 1 | VS50FMDI/1Y04B | |
| 8 | Hydraulikslange | 1 | 031-0300-FM140-FM140 | 1/4" |
| 9 | Hydraulikslange | 1 | 031-0380-FM140-FM140 | 1/4" |
| 10 | Bonded seal pakning | 2 | 42-000-012 | 1/2" |
| 11 | Bonded seal pakning | 2 | 42-000-038 | 3/8" |
| 12 | Indskruning | 2 | A08LR 1-2 | ø8 x 1/2" |
| 13 | Indskruning | 2 | A08LR 3-8 | ø8 x 3/8" |
| 14 | Sætskrue | 2 | 29-112-040 | |
| 15 | Låsemøtrik | 2 | 31-101-012 | |
| 16 | Facetskive | 4 | 36-300-012 | |
| 17 | Sætskrue | 8 | 29-110-035 | |
| 18 | Møtrik | 6 | 31-001-010 | |
| 19 | Facetskive | 20 | 36-300-010 | |
| 20 | Maskinbolt | 6 | 28-108-040 | |
| 21 | Facetskive | 6 | 36-300-008 | |
| 22 | Unbracobolt | 1 | 32-008-020 | |
| 23 | Rundhovedet unbracoskrue | 4 | 32-108-040 | |
| 24 | Låsemøtrik | 6 | 31-101-010 | |
| 25 | Maskinbolt | 6 | 28-110-080 | |



STAMA MULTI 2017

78-708-800 Cargo box / Kippkasten / Tiplad

5/9-2017 KJ





Multi/Maxi Tiplad / Load bed / Kippkasten

78-606-500 Drawing 78-708-800

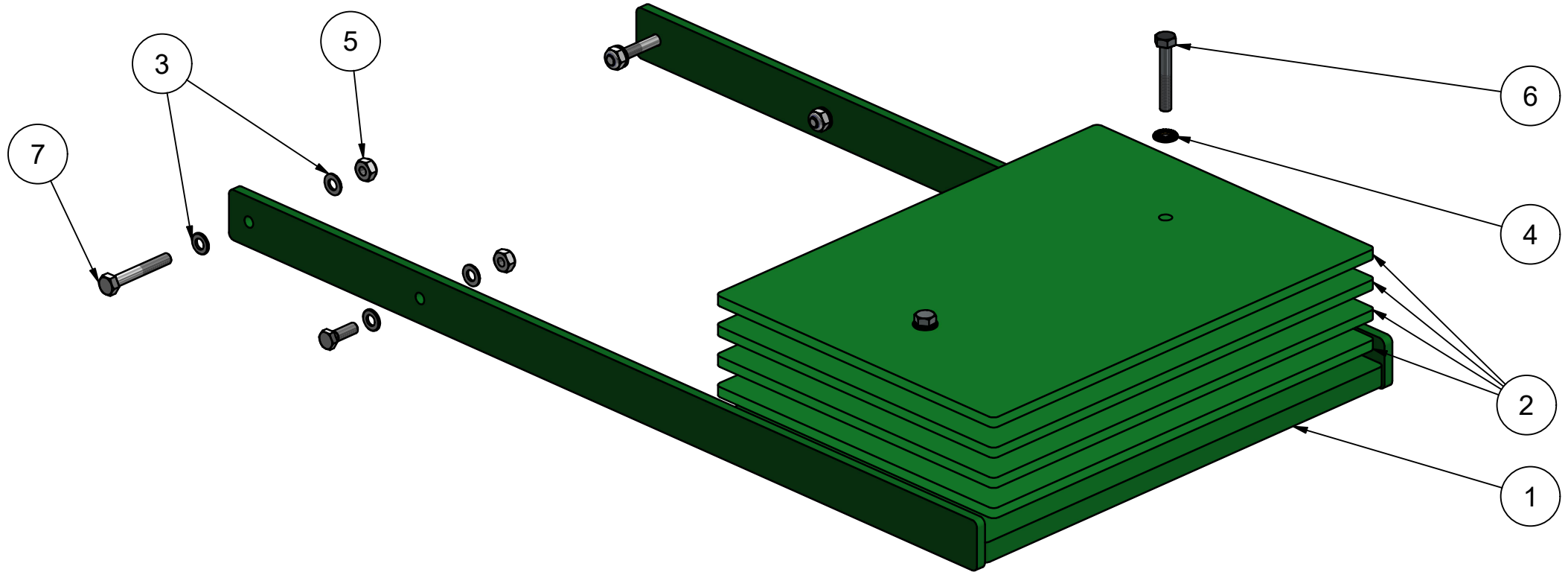


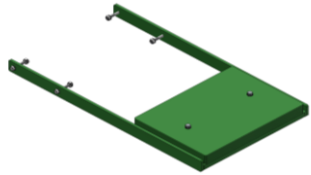
5/7-2021 KJ

| Pos. | Benævnelse | Description | Artikel | # | Nr. | Note |
|------|-------------------------|--------------------|----------------------------|---|--------------------------|--------------------------|
| 1 | Tiplad | Body | Ladefläche | 1 | 78-708-810 | |
| 2 | Cylinder | Cylinder | Zylinder | 1 | 9796000 | |
| 3 | Cylindernagle - kort | Cylinder Bolt | Zylinderbolzen | 1 | 223-002-70 | |
| 4 | Hængsel - hun / venstre | Hinge female left | Scharnier links | 4 | 223-002-25 | |
| 5 | Hængsel - hun / højre | Hinge female right | Scharnier rechts | 2 | 223-002-20 | |
| 6 | Ladside - venstre | Lank side left | Pritschenseitenteil links | 1 | 77-801-340 | |
| 7 | Ladside - højre | Lank side right | Pritschenseitenteil rechts | 1 | 77-801-350 | |
| 8 | Bagsmæk | Tailgate | Heckklappe | 1 | 223-000-90 | |
| 9 | Hjørnestolpe | Corner post | Eckrunge | 2 | 77-409-940 | |
| 10 | Dupsko 40mm | Plastic stopper | Plastikverschlussstopfen | 2 | DPD 40x40 | |
| 11 | Gummistop for bagsmæk | Tailgate stop | Heckklappe Stopf | 2 | 78-708-801 | |
| 12 | Cylindernagle - lang | Cylinder Bolt | Zylinderbolzen | 1 | 223-002-72 | |
| 13 | Vippeplade | Tipping flange | Kippflansch | 4 | 226-050-16 78-708-802 | Machine number dependent |
| 14 | Afstandsring 5 mm | Spacer ring | Distanzring | 4 | 36-053-526 | |
| 15 | Ringsplit | Folding pin | Klappsplint | 1 | 38-000-008 | |
| 16 | Sikkerhedsstang | Load bed support | Kippkastenabstützung | 1 | 78-606-520 | |
| 17 | Klemrørsbærer | Spring clip | Federklammer | 1 | 031-000-049 | |
| 18 | Støddæmperpude | Damper plate | Stossplatte | 2 | 76-200-153 | |
| 19 | Underdel for lad | Lower structure | Pritschen Unterteil | 1 | 78-601-510 | |
| 20 | Sintermetal bøsning | Bushing | Buchse | 4 | 54-720-025 | |
| 21 | Facetskive | Washer | U-Scheibe | 4 | 36-300-020 | |
| 22 | Maskinbolt | Machine screw | Maschinenschraube | 2 | 28-120-100 | |
| 23 | Låsemøtrik | Locking nut | Sicherungsmutter | 2 | 31-101-020 | |
| 24 | Sætskrue | Set screw | Stellschraube | 2 | 29-116-050 | |
| 25 | Møtrik | Nut | Mutter | 2 | 31-001-016 | |



Option 78-903-610 Modvægt 89 kg under lad,
Tipper counterweight, Kipper Gegengewicht
28/4-2021 KJ





Multi/Maxi Option 78-903-610

160kg Modvægt, Counter weight, Gegengewicht

28/4-2021 KJ



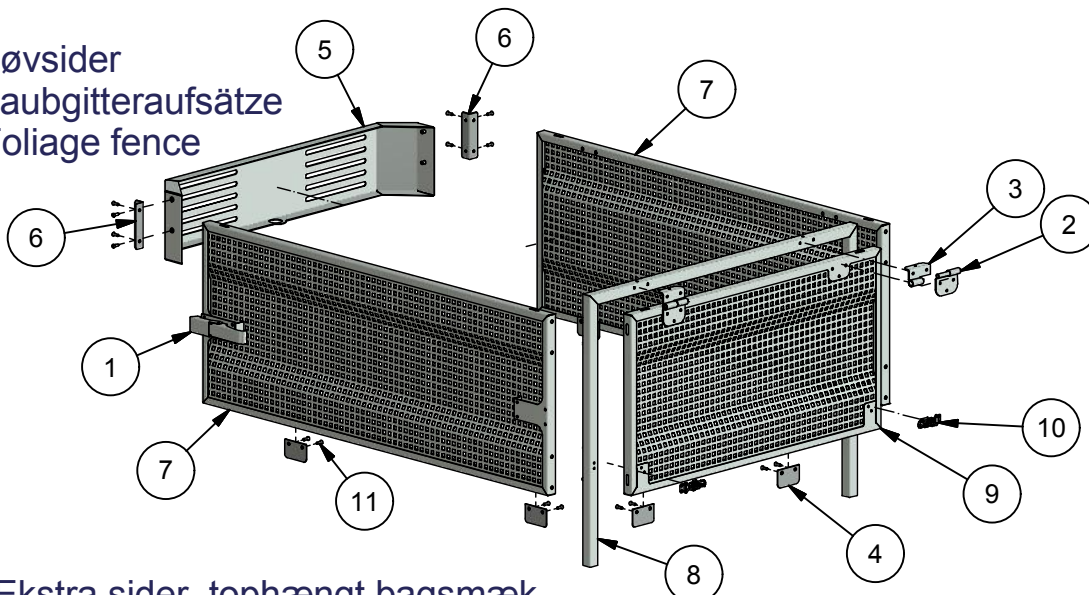
| Pos. | Benævnelse | Description | Artikel | # | Nr. | Note |
|-------------|------------------------|----------------------------|---------------------|----------|------------|-------------|
| 1 | Bundstykke for modvægt | Counterweight frame | Gegengewicht Rahmen | 1 | 78-903-615 | 35 kg |
| 2 | Vægtplade for modvægt | Counterweight plate, upper | Gegengewicht | 4 | 78-810-411 | 13 kg |
| 3 | Facetskive | Washer | U-Scheibe | 8 | 36-300-010 | |
| 4 | Rillet skive | Contact washer | Sicherungsscheibe | 2 | 35-200-010 | |
| 5 | Låsemøtrik | Locknut | Sicherungsmutter | 4 | 31-101-010 | M10 |
| 6 | Maskinbolt | Machine screw | Maschinenschraube | 2 | 28-110-065 | M10 x 65 |
| 7 | Maskinbolt | Machine screw | Maschinenschraube | 2 | 28-110-070 | M10 x 70 |
| 8 | Sætskrue | Set screw | Stellschraube | 2 | 29-110-030 | M10 x 30 |



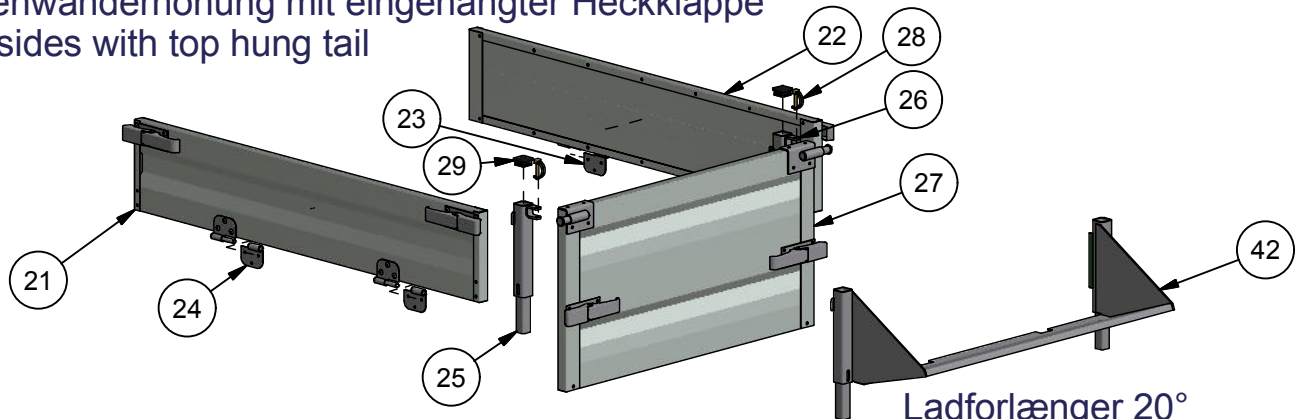


Tilbehør til lad / Pritschen Zubehör / Body accessories Multi EL & Maxi EL 2017

Løvsider
Laubgitteraufsätze
Foliage fence

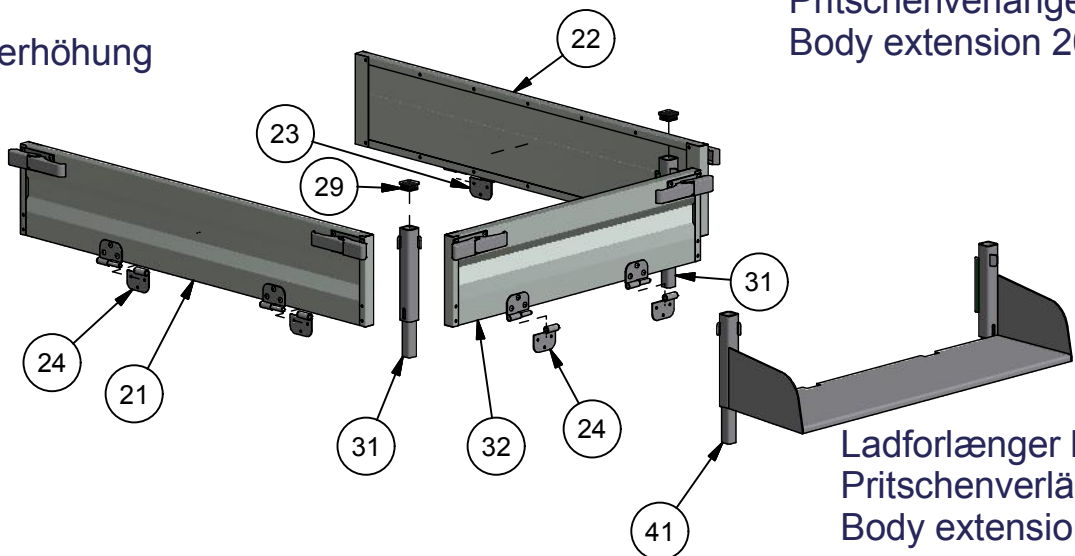


Ekstra sider, tophængt bagsmæk
Seitenwanderhöhung mit eingehängter Heckklappe
Tall sides with top hung tail



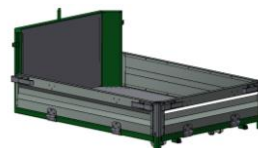
Ladforlænger 20°
Pritschenverlängerung 20°
Body extension 20°

Ekstra sider
Seitenwanderhöhung
Tall sides



Ladforlænger lige
Pritschenverlängerung
Body extension straight

Lad tilbehør / Pritschen Zubehö
/ Body accessories
Multi + Maxi EL 2017



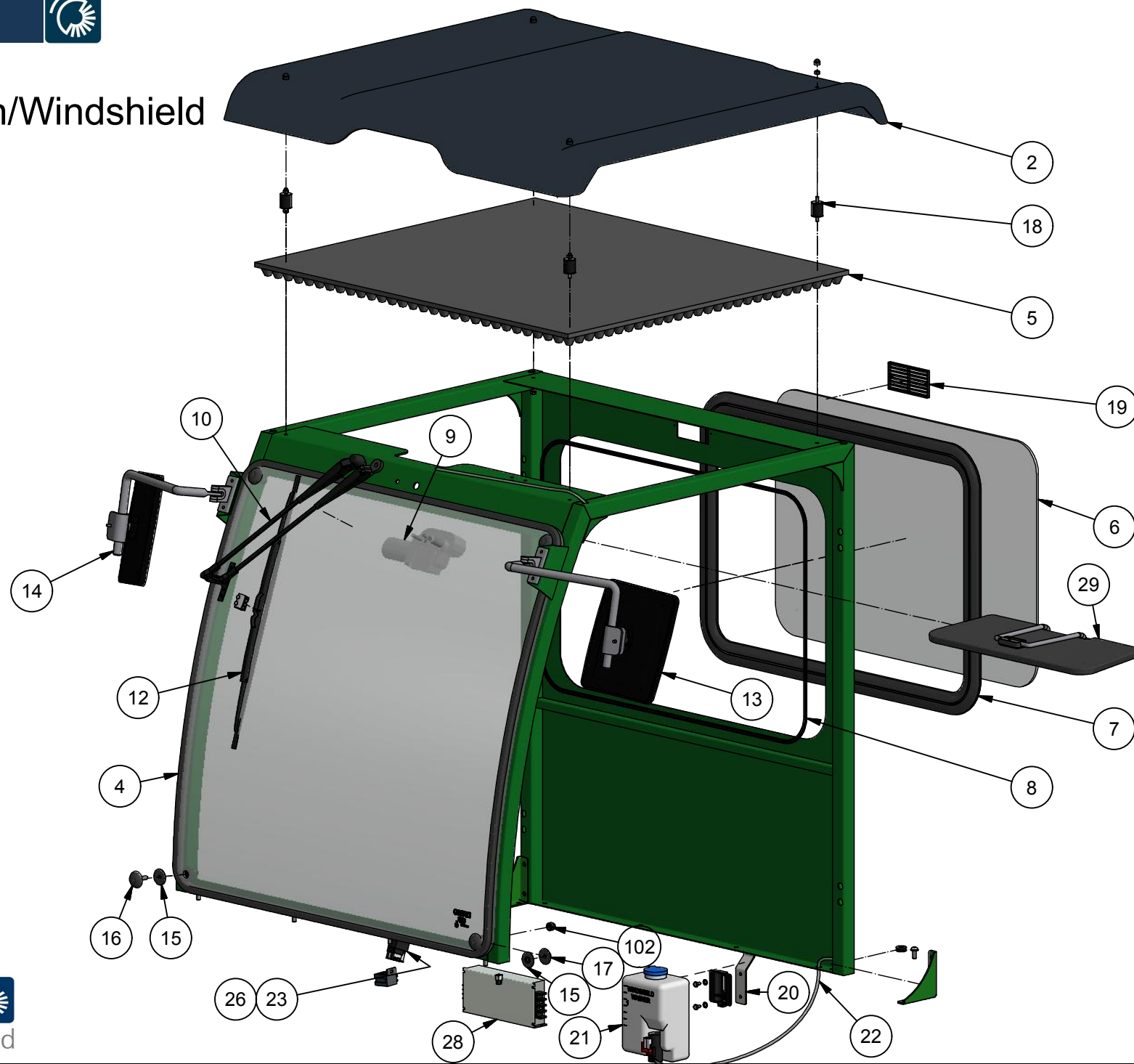
| Pos. | Benævnelse | Antal | Varenummer | Bemærkning |
|---------------------------------------|--------------------------------|-------|-------------------|------------|
| Løvsider | | | 78-302-400 | |
| 1 | Hægtelukker ny model | 2 | 105-02G | |
| 2 | Hængsel han - venstre | 2 | 223-002-10 | |
| 3 | Hængsel hun - venstre/bag | 2 | 223-002-30 | |
| 4 | Stopplade | 6 | 78-302-401 | |
| 5 | frontplade | 1 | 78-302-402 | |
| 6 | Vinkelbeslag | 2 | 78-302-403 | |
| 7 | Løvsider højre/venstre | 2 | 78-302-420 | |
| 8 | Ramme for bagsmæk | 1 | 78-302-430 | |
| 9 | Bagsmæk | 1 | 78-302-440 | |
| 10 | Kasselukker | 2 | 0960-542500301 | |
| 11 | Rundhovedet unbraco | 28 | 0712-06020 | M6 x 20 mm |
| Ekstra sider, tophængt bagsmæk | | | 77-801-445 | |
| 21 | Ladside venstre | 1 | 77-801-340 | L |
| 22 | Ladside højre | 1 | 77-801-350 | R |
| 23 | Sidehængsel hun - højre | 2 | 223-002-20 | |
| 24 | Sidehængsel hun - venstre | 2 | 223-002-25 | |
| 25 | Hjørnestolpe venstre / tophæng | 1 | 77-606-480 | L |
| 26 | Hjørnestolpe højre / tophæng | 1 | 77-606-485 | R |
| 27 | Tophængslet bagklap komp | 1 | 77-606-470 | |
| 28 | Ringsplit | 2 | 38-000-008 | |
| 29 | Dupsko | 2 | DPD 40X40 | 40 x 40 |
| Ekstra sider | | | 78-801-440 | |
| 21 | Ladside venstre | 1 | 77-801-340 | L |
| 22 | Ladside højre | 1 | 77-801-350 | R |
| 23 | Sidehængsel hun - højre | 2 | 223-002-20 | |
| 24 | Sidehængsel hun - venstre | 4 | 223-002-25 | |
| 31 | Hjørnestolpe | 2 | 77-409-940 | |
| 32 | Bagsmæk | 1 | 223-000-90 | |
| 41 | Ladforlænger lige | 1 | 77-701-340 | 0° |
| 42 | Ladforlænger vinklet | 1 | 77-511-550 | 20° |



78-601-200 2018

Kabine/Schutzdach/Windshield

Multi EL 23/11-2018





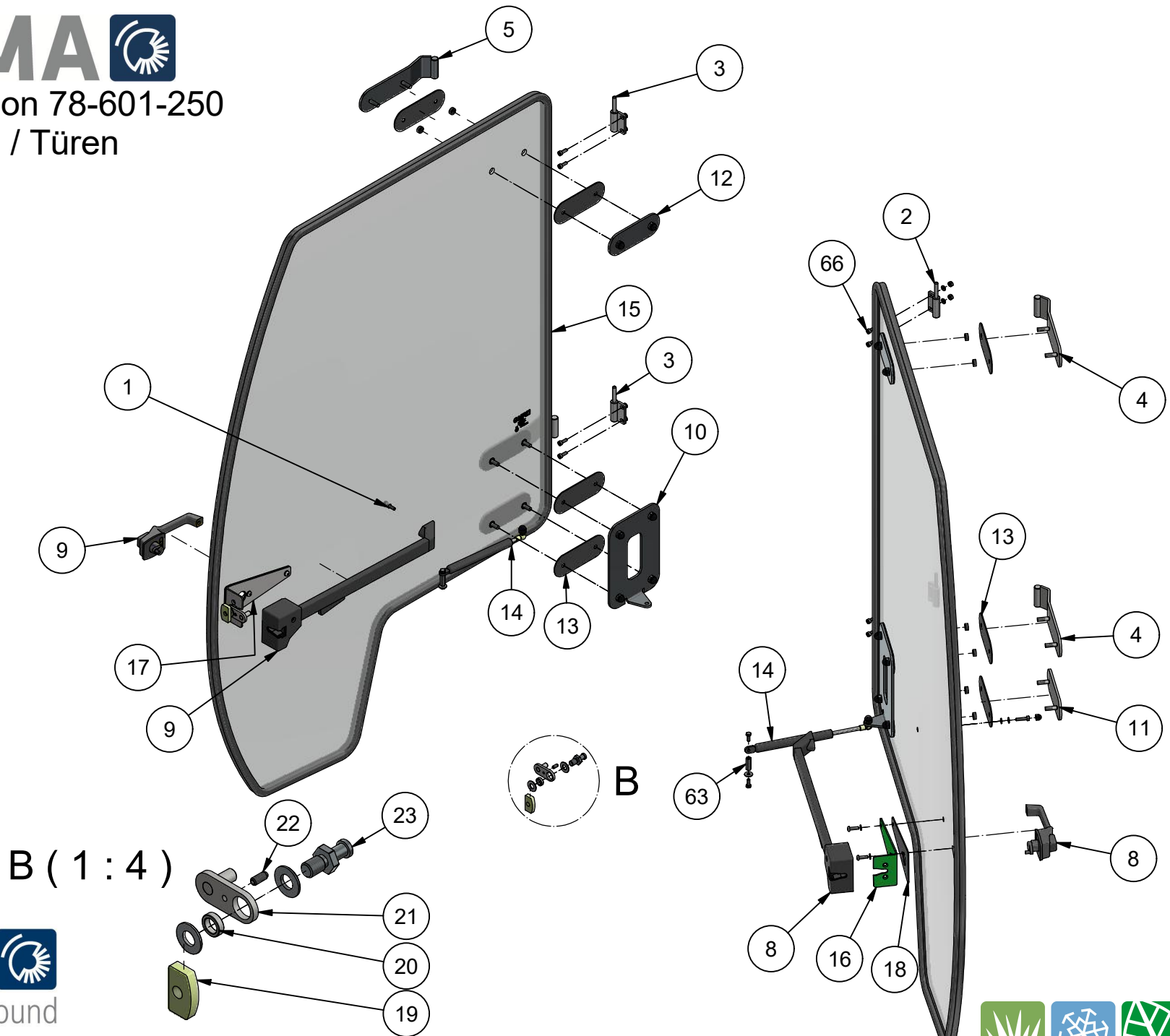
Kabine / Schutzdach / Windshield Multi EL Option 78-601-200

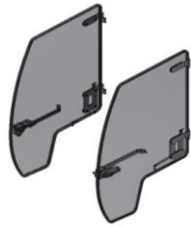
23/11.2018 KJ

STAMA 

| Pos. | Benævnelse | Artikel | Description | # | Nr. | Note |
|-------------|-------------------------------|--------------------------|-------------------------------|----------|-------------|---------------|
| 1 | Kabineramme | Rahmen | Frame | 1 | 78-601-210 | |
| 2 | Tag | Dach | Roof | 1 | FM3300000 | |
| 3 | Forrude | Windschutzscheibe | Windshield | 1 | 78-601-201 | 6 mm tempered |
| 4 | Kantliste med gummi på siden | Kantenschutzprofil | Edge rubber list | 3,7 m | 009-100-052 | B0043A |
| 5 | Lydisoleringsmåtte | Dämmmatte | Noise reduction mat | 1 | 100040227-1 | |
| 6 | Bagrude førerværn ML98 | Heckscheibe | Rear Window | 1 | 030-000-265 | 6 mm Tempered |
| 7 | Låsegummiprofil (glasliste) | Kantenschutzprofil | Edge rubber list | 4 m | 009-100-072 | |
| 8 | Låsekile | Verriegelungsleiste | Locking wedge | 4 m | 009-100-073 | PVC 9,5x7,5mm |
| 9 | Viskermotor | Wischermotor | Wiper motor | 1 | 030-000-321 | 12V 90gr |
| 10 | Parallelogram arm | Wischerarm Parallel | Wiperarm parallel | 1 | 030-000-322 | 450 mm |
| 12 | Viskerblad | Wischerblatt | Wiper blade | 1 | 100036682 | |
| 13 | Sidespejl venstre | Spiegel links | Left mirror | 1 | 100044958 | |
| 14 | Sidespejl højre | Spiegel rechts | Right mirror | 1 | 100044956 | |
| 15 | Gummiskive f. rude | Unterlegscheibe | Rubber disc | 8 | 100044551 | |
| 16 | Rudebolt | Kombischraube | Bolt for glas | 4 | 100044555 | |
| 17 | Plastskive f. rude | Kunststoffscheibe | Plastic disc | 4 | 100044552 | |
| 18 | Vibrationsdæmper | Gummi-Metall-Puffer | Vibration damper | 4 | 100034267 | |
| 19 | Plastgitter / friskluft udtag | Belüftungsgitter | Ventilation grill | 1 | 009-100-064 | |
| 20 | Sprinklerbeholder beslag | Behälterbeschlag | Container bracket | 1 | 78-601-204 | |
| 21 | Sprinklerbeholder m/motor | Wasserbehälter mit Pumpe | Sprinkler container with pump | 1 | 160001 | |
| 22 | Plast slange | Kunststoffschlauch | Plastic hose | 3 m | SCA147.004 | Ø6/Ø4 mm |
| 23 | Vippekontakt | Kippschalter | Rockerswitch | 1 | 511003 | |
| 27 | Ledningsnet kabine | Kabelstrang | Wire harness | 1 | 9806230 | |
| 28 | Omformer | Konverter | Converter | 1 | RSD-300C-12 | 48V/12V 300W |
| 29 | Solskærm | Sonnenblende | Sun shield | 1 | 100041131 | |







Døre, Doors, Türen

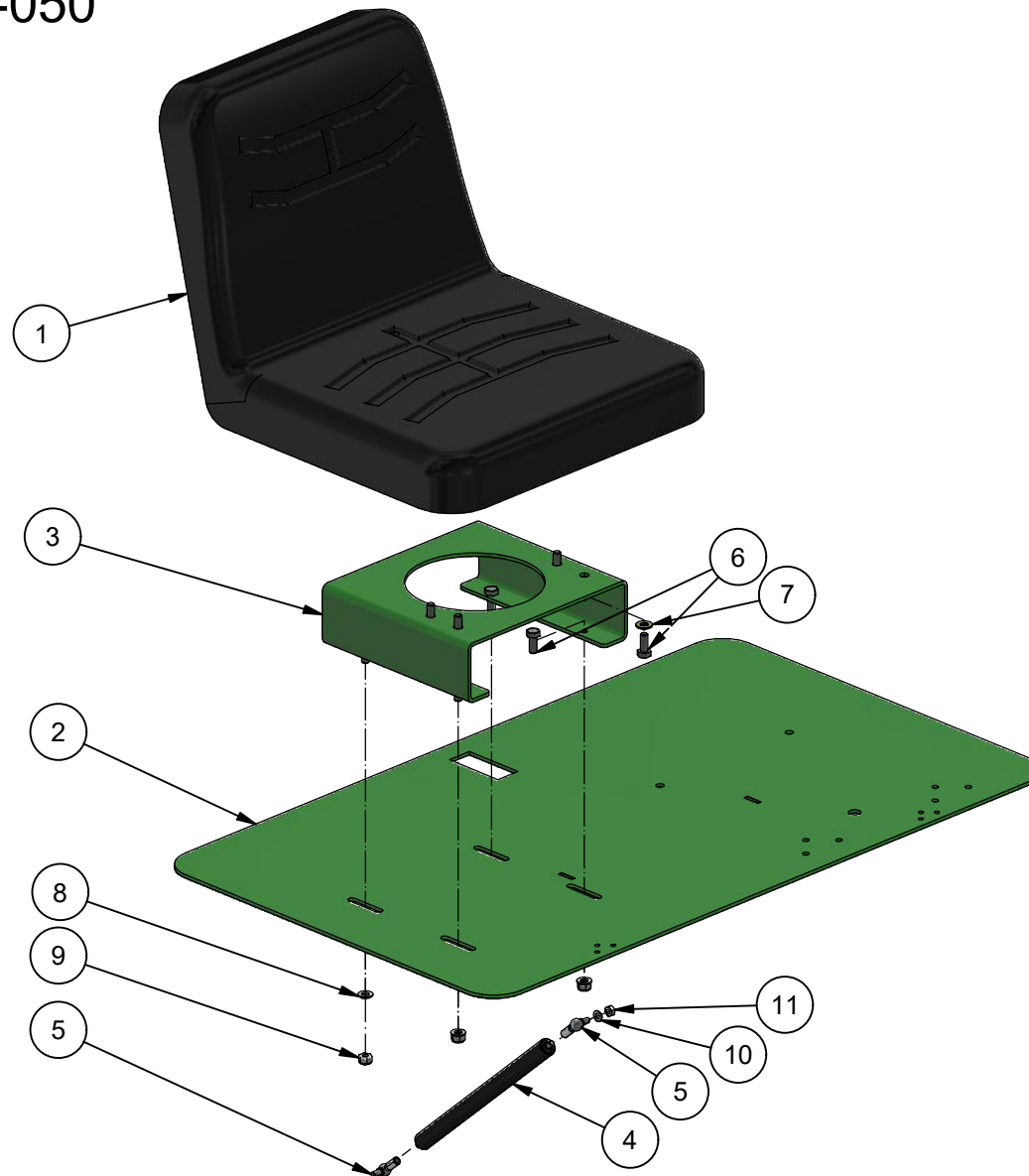
Multi Option 78-601-250

4/8-2020 KJ



| Pos. | Benævnelse | Description | Artikel | # | Nr. | Note |
|-------------|-----------------------------------|-----------------------------|------------------------------|----------|-------------|---------------|
| 1 | Glasdør | Glass Door | Glastür | 2 | 78-601-251 | 6 mm Tempered |
| 2 | Dørhængsel - venstre | Door hinge left | Türscharnier links | 2 | 022-000-054 | |
| 3 | Dørhængsel - højre | Door hinge right | Türscharnier rechts | 2 | 022-000-053 | |
| 4 | Dørhængsel venstre | Door hinge left | Türscharnier links | 2 | 78-601-260 | |
| 5 | Dørhængsel højre | Door hinge right | Türscharnier rechts | 2 | 78-601-265 | |
| 6 | Bøsning for glasdør | Bushing for glass | Buchse | 12 | 78-601-253 | |
| 8 | Dørhåndtag universal m/lås | Door handle with lock | Türgriff mit Schloss | 1 | 009-100-151 | L Komplet |
| 9 | Dørhåndtag universal m/lås | Door handle with lock | Türgriff mit Schloss | 1 | 009-100-152 | R Komplet |
| 10 | Dørbeslag for gasfjeder | Door bracket for gas spring | Türbeschläge für Gasfeder | 2 | 031-000-206 | |
| 11 | Spændebeslag for dørbeslag kabine | Clamping bracket | Spannbeschlag | 2 | 031-000-214 | |
| 12 | Spænde beslag | Clamping bracket | Spannbeschlag | 2 | 031-000-216 | |
| 13 | Gummiplade hængsel kabine | Rubber sheet | Gummiplatte | 12 | 030-000-277 | 2 mm |
| 14 | Gasfjeder 110N | Gas spring 110N | Gasfeder 110N | 2 | 009-100-029 | 215 - 330 mm |
| 15 | Gummiprofil m. slange på siden | Edge rubber list | Kantenschutz mit Seitengummi | 2 x 5m | 009-100-052 | |
| 16 | Beslag venstre for håndtag | Bracket for handle | Griffbeschlag | 1 | 78-601-271 | L |
| 17 | Beslag højre for håndtag | Bracket for handle | Griffbeschlag | 1 | 78-601-272 | R |
| 18 | Gummiplade dørhåndtag | Rubber sheet | Gummiplatte | 2 | 78-601-252 | 2 mm |
| 19 | Låseplade med gevind | Locking plate | Schlossplatte | 2 | D0205 | |
| 20 | Distancebøsning | Distance piece | Distanzstück | 2 | Fm3359000 | |
| 21 | Dør-åbent holder | Door positioner | Türaufsteller | 2 | Fm3342000 | |
| 22 | Fjedrende trykstykke m. kugle | Setscrew with ballpoint | Stellschraube mit Federkugel | 2 | 100046591 | M6x14 |
| 23 | Skrue for dørlås | Latch bolt | Verriegelungsschraube | 2 | A16640 | |
| 63 | Langmøtrik | Long nut | Langmutter | 2 | 31-040-006 | M6 x 30mm |
| 66 | Rundhovedet unbracoskrue | Cylinder head screw | Zylinderschraube | 8 | 32-106-016 | M6 x 16mm |







Small passagersæde, Small passenger seat
Kleine Beifahrersitz
Multi Option 20-08-050

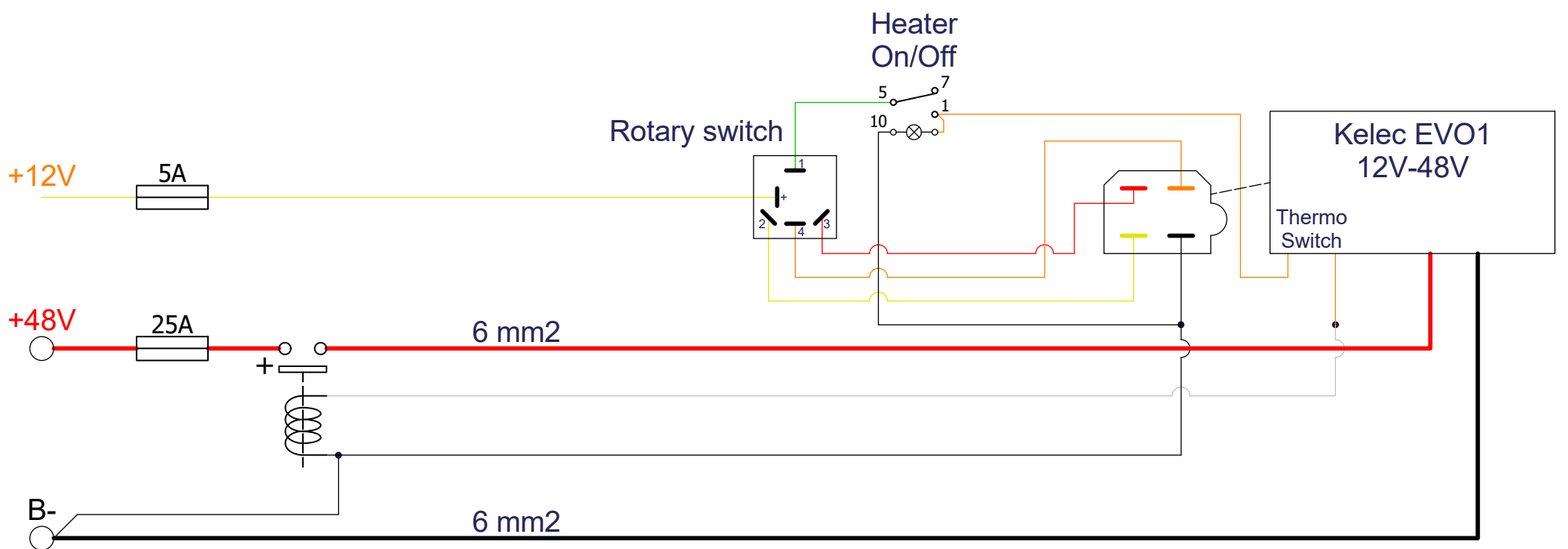
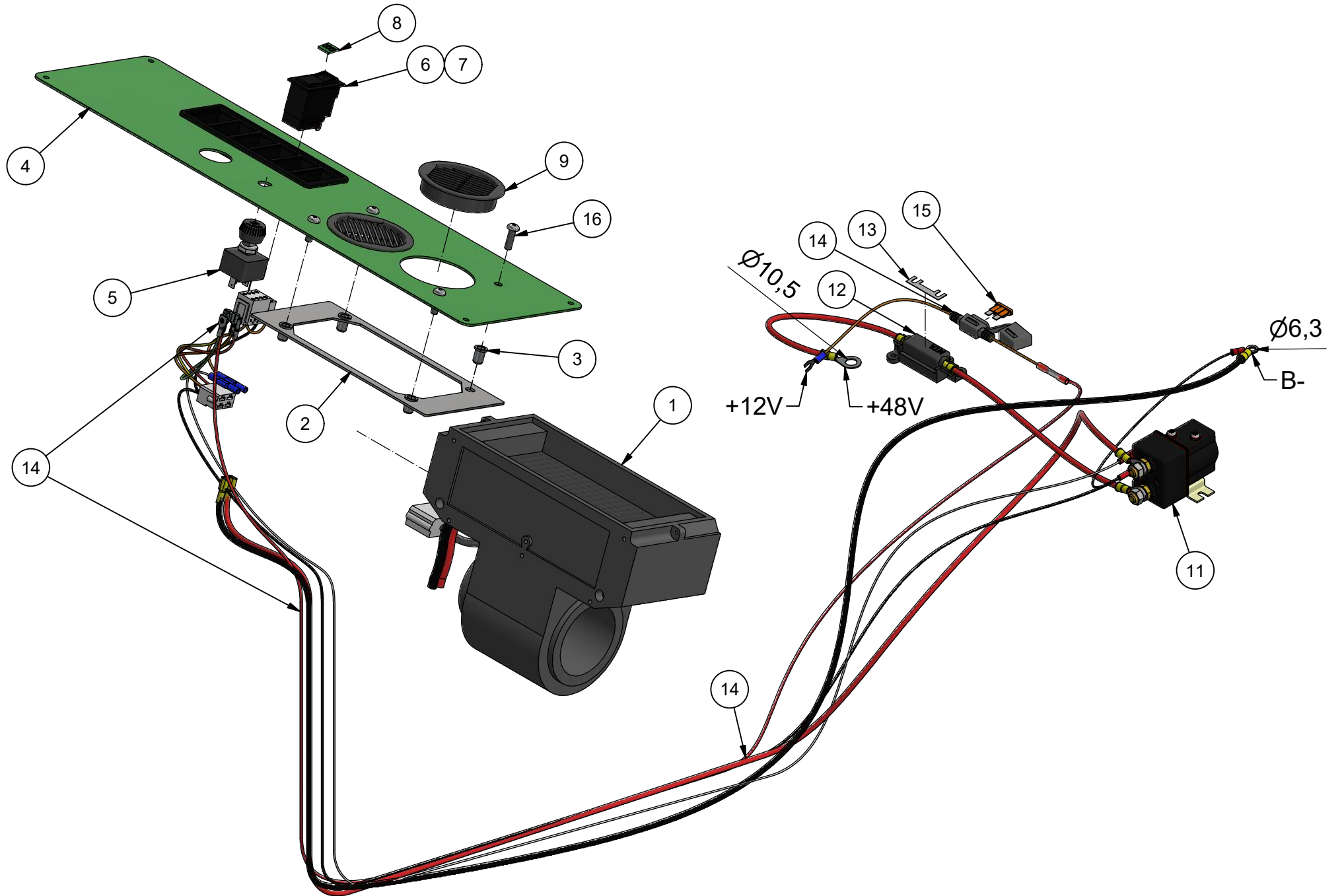


17/8-2020 KJ

| Pos. | Benævnelse | Description | Artikel | # | Nr. | Note |
|-------------|-------------------|--------------------|-------------------------|----------|-------------|-------------|
| 1 | Sæde, smalt | Seat, narrow | Sitz, schmal | 1 | 1350-200130 | 410 mm |
| 2 | Sædekasselåg | Lid under seat | Abdeckplatte unter Sitz | 1 | 20-08-051 | |
| 3 | Sæde forhøjer | Spacer | Abstandshalter | 1 | 20-08-055 | |
| 4 | Gasfjeder | Gas spring | Gasdruckfeder | 1 | 223-400-02 | 250 N |
| 5 | Vinkel-led | Angle joint | Winkelgelenk | 2 | 1100-101006 | |
| 6 | Maskinbolt | Machine screw | Maschinenschraube | 8 | 28-108-020 | M8 x 20 |
| 7 | Rillet skiver | Contact washer | Sicherheits-Scheibe | 4 | 35-200-008 | |
| 8 | Facetskive | Washer | U-Scheibe | 4 | 36-300-008 | |
| 9 | Låsemøtrik | Lock nut | Sicherungsmutter | 4 | 31-101-008 | |
| 10 | Facetskive | Washer | U-Scheibe | 1 | 36-300-006 | |
| 11 | Møtrik | Nut | Mutter | 1 | 31-001-006 | |



Varmeblæser / Evaporator / Heizung
 Multi EL Option 78-610-200
 EVO EL Option FL4400210
 (78-201-290) 1/2-2019 KJO





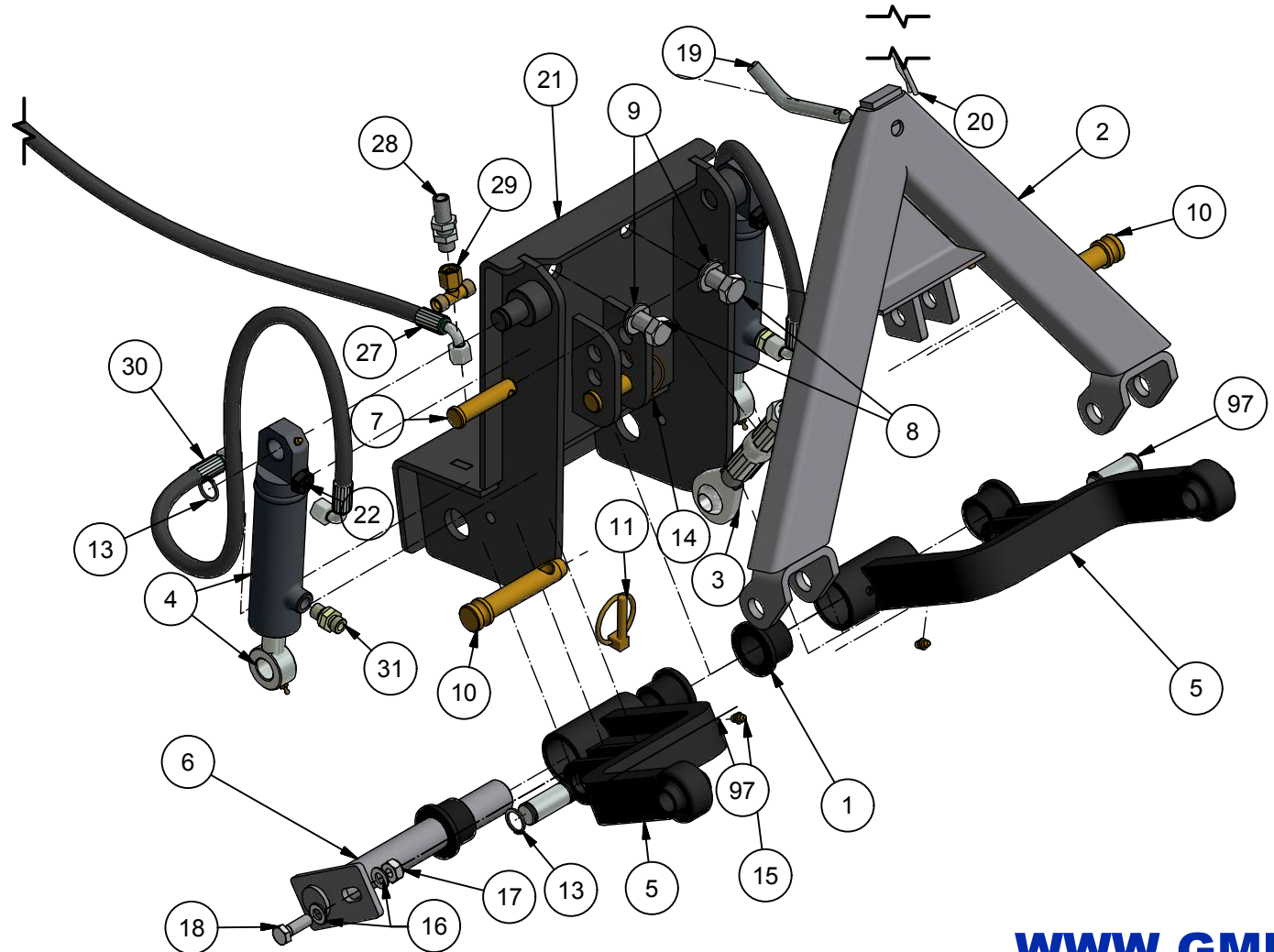
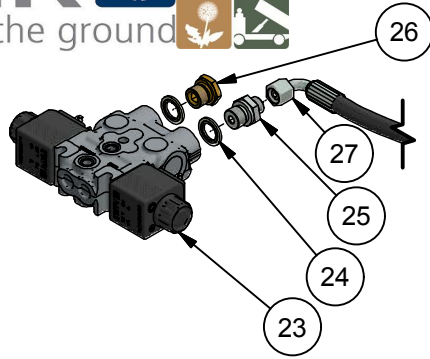
Blæser/Evaporator/Heizung Multi EL 2017



Option 78-610-200 12/9-2018

| Pos. | Benævnelse | Description | Artikel | # | Nr. | Note |
|-------------|--------------------------------|-----------------------|------------------------|----------|-------------|------------------------|
| 1 | Varmeapparat | Evaporator | Verdampfer | 1 | 2017-0068 | 48V 1700W |
| 2 | Monteringsplade | Mounting plate | Platte für Blindnieten | 1 | 78-610-201 | |
| 3 | Blindnitemøtrik | Blind rivet | Blindnieten | 4 | 1111-06-017 | |
| 4 | Instrumentpanel f. varmeappara | Dashboard plate | Instrumententafel | 1 | 78-601-236 | |
| 5 | Drejekontakt | Rotary switch | Drehschalter | 1 | 2017-0065 | 0-1-2-3 |
| 6 | Kontakt | Rocker switch | Kippschalter | 1 | 511106 | |
| 7 | Instrumentpære | Instrument Light bulb | Glühbirne | 1 | AL12516 | |
| 8 | Symbol varme | Heating Symbol | Symbol Wärme | 1 | 2017-0066 | |
| 9 | Dyse for varmeudtag | Air vent | Luftdüse | 2 | 009-100-063 | Specify Machine Number |
| | | | | | 2020-0007 | |
| 11 | Relæ | Relay | Relais | 1 | 2017-0045 | |
| 12 | Sikringsholder | Fuse holder | Sicherungshalter | 1 | 191190 | |
| 13 | Sikring | Fuse | Sicherung | 1 | 192705 | 25A |
| 14 | Ledningsnet | Wire harness | Kabelbaum | 1 | 78-601-291 | |
| 15 | Sikring | Fuse | Sicherung | 1 | ES837-05 | 5A |
| 16 | Unbracobolt | Cylinder head screw | Zylinderschraube | 4 | 0310-06020 | |







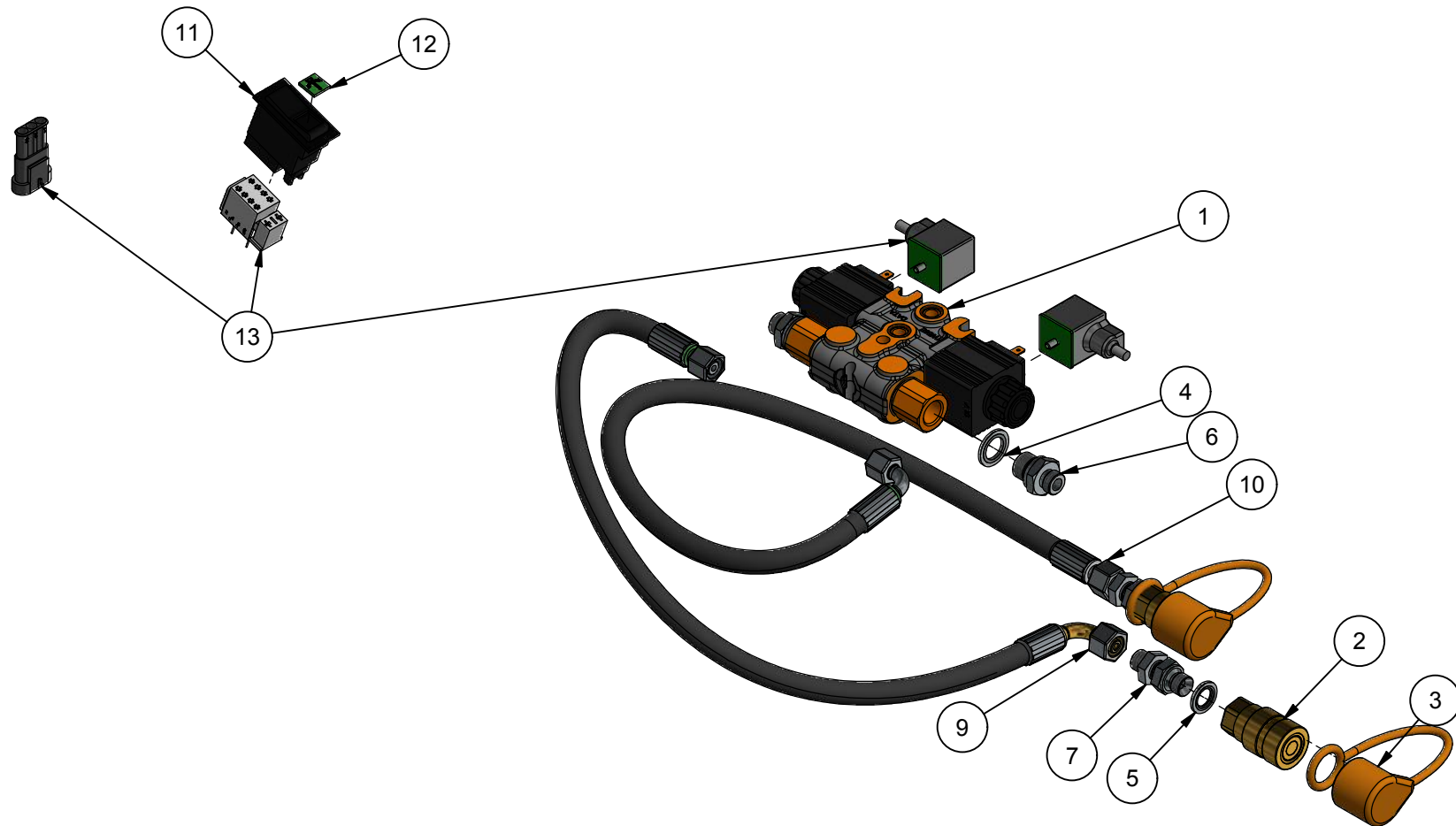
Front Lift / Frontaushebung Multi EL 2017 78-601-700



| Pos | Benævnelse | Stk. | Nummer | Bemærkning |
|------------|-------------------|-------------|----------------------|-------------------|
| 1 | Flangebøsning | 4 | 91-72-081 | |
| 2 | A-ramme hanpart | 1 | 77-501-630 | |
| 3 | Topstang | 1 | 59-190-616 | |
| 4 | Cylinder | 2 | 01-635-104 | |
| 5 | Liftarm lang | 2 | 78-103-420 | |
| 6 | Nagle | 1 | N30x220-50 | |
| 7 | Nagle | 2 | 47-016-048 | |
| 8 | Sætskrue | 2 | 29-116-030 | |
| 9 | Facetskive | 2 | 36-300-030 | |
| 10 | Topstangsnagle | 2 | 47-019-065 | |
| 11 | Ringsplit | 2 | 38-000-008 | |
| 12 | Cylindernagle | 2 | 77-603-104 | |
| 13 | Låsering - svær | 6 | 20-101-020 | |
| 14 | Ringsplit | 2 | 38-000-004 | |
| 15 | Smørenippel | 2 | 57-000-008 | |
| 16 | Facetskive | 2 | 36-300-010 | |
| 17 | Låsemøtrik | 1 | 31-101-010 | |
| 18 | Sætskrue | 1 | 29-110-030 | |
| 19 | Splitnagle | 1 | 13-000-004 | |
| 20 | Hårnålesplit | 1 | 38-204-075 | |
| 21 | Frontliftbeslag | 1 | 78-601-710 | |
| 22 | Udluftningsprop | 2 | 50-011-014 | |
| 23 | Retningsventil | 1 | 2017-0001 | |
| 24 | Bonded seal | 2 | 42-000-038 | 3/8" |
| 25 | Indskruning | 1 | A08LR3/8 | |
| 26 | Slutprop | 1 | 08BPU06 | |
| 27 | Hydraulikslange | 1 | 031-2400-FM149-FM149 | |
| 28 | Skotforskruning | 1 | K08L | |
| 29 | Stilbar T | 1 | VC08L | |
| 30 | Hydraulikslange | 2 | 031-0700-FM140-FM140 | |
| 31 | Indskruning | 2 | A08RL | |

Multi EL Option 78-601-720 Udtag i bag Doubleacting Output rear / Steuergerät für Schwenken, hinten

8/2-2019 KJ





Dobbelt hydraulik udtag i bag Multi EL Option 78-601-720

8/2.2019 KJ

STAMA 

| Pos. | Benævnelse | Artikel | Description | # | Nr. | Note |
|-------------|----------------------|-----------------------------|------------------------------|----------|----------------------|-------------|
| 1 | Retningsventil | Magnetventil | Electric valve | 1 | DO6DE5EA00005R | |
| 2 | Lynkobling | Schnellkuplung | Quick Coupling Female | 1 | 4230-0144 | 1/4" |
| 3 | Støvhætte | Staubhut | Dust cover | 1 | 4230-0144-1 | |
| 2 | Lynkobling | Schnellkuplung | Quick Coupling Female | 1 | 39-004-042 | Alternativ |
| 3 | Støvprop | Staubstecker | Dust plug | 1 | 39-004-001 | Alternativ |
| 4 | Tætningsring | Dichtung | Bonded seal | 2 | 42-000-038 | 3/8" |
| 5 | Tætningsring | Dichtung | Bonded seal | 2 | 42-000-014 | 1/4" |
| 6 | Indskruening | Einschraubverschraubung | Fitting | 2 | A08LR3/8 | |
| 7 | Skotforskruning lige | Gerade Schott-Verschraubung | Straight bulkhead connection | 2 | 32BP04 | 1/4" |
| 9 | Hydraulikslange | Hydraulikschlauch | Hydraulic hose | 1 | 031-0650-FM149-FB049 | |
| 10 | Hydraulikslange | Hydraulikschlauch | Hydraulic hose | 1 | 031-0950-FM149-FB040 | |
| 11 | Vippekontakt | Wippschalter | Rockerswitch | 1 | 511287 | |
| 12 | Kontaktsymbol | Schalter Symbol | Switch symbol | 1 | 010-300-220 | |
| 13 | Ledningsnet | Kabelbaum | Wire harness | 1 | 9806220 | |



STAMA-HTF



Multi EL Option 78-601-730

Doubleacting Output / Steuergerät für Schwenken

2017-16/1



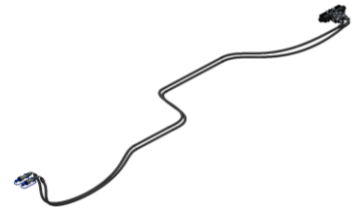
STAMA-HTF

STENSBALLE

NESBO

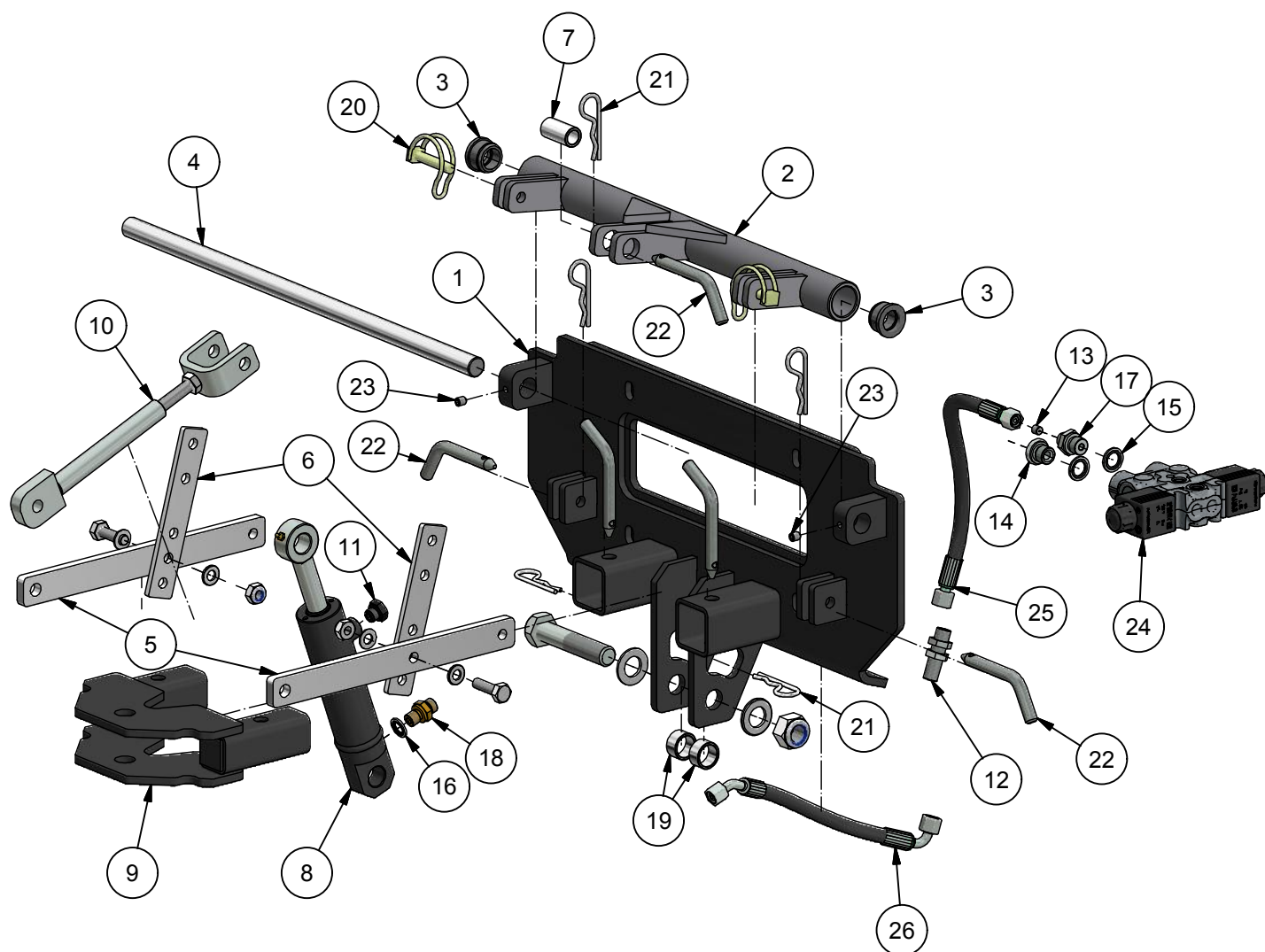


Hydraulic Outputs /
Steuergerät für Schwenken
Multi EL Option 78-601-730



6/1-2017

| <i>Pos.</i> | <i>Benævnelse</i> | <i>Antal</i> | <i>Varenummer</i> | <i>Bemærkning</i> |
|-------------|--------------------|--------------|----------------------|-------------------|
| 1 | 4/3-vejs ventil | 1 | 2017-0001 | 3/8" 12V |
| 2 | Lynkobling hunstik | 2 | 39-004-042 | 1/4" |
| 3 | Støvprop | 2 | 39-004-001 | |
| 4 | Tætningsring | 2 | 42-000-038 | 3/8" |
| 5 | Tætningsring | 2 | 42-000-014 | 1/4" |
| 6 | Indskruning | 2 | A08LR3/8 | |
| 7 | Indskruning | 2 | A08RLWDX | |
| 9 | Hydraulikslange | 1 | 031-2650-FM149-FM149 | 1/4" |
| 10 | Hydraulikslange | 1 | 031-2900-FM149-FM149 | 1/4" |

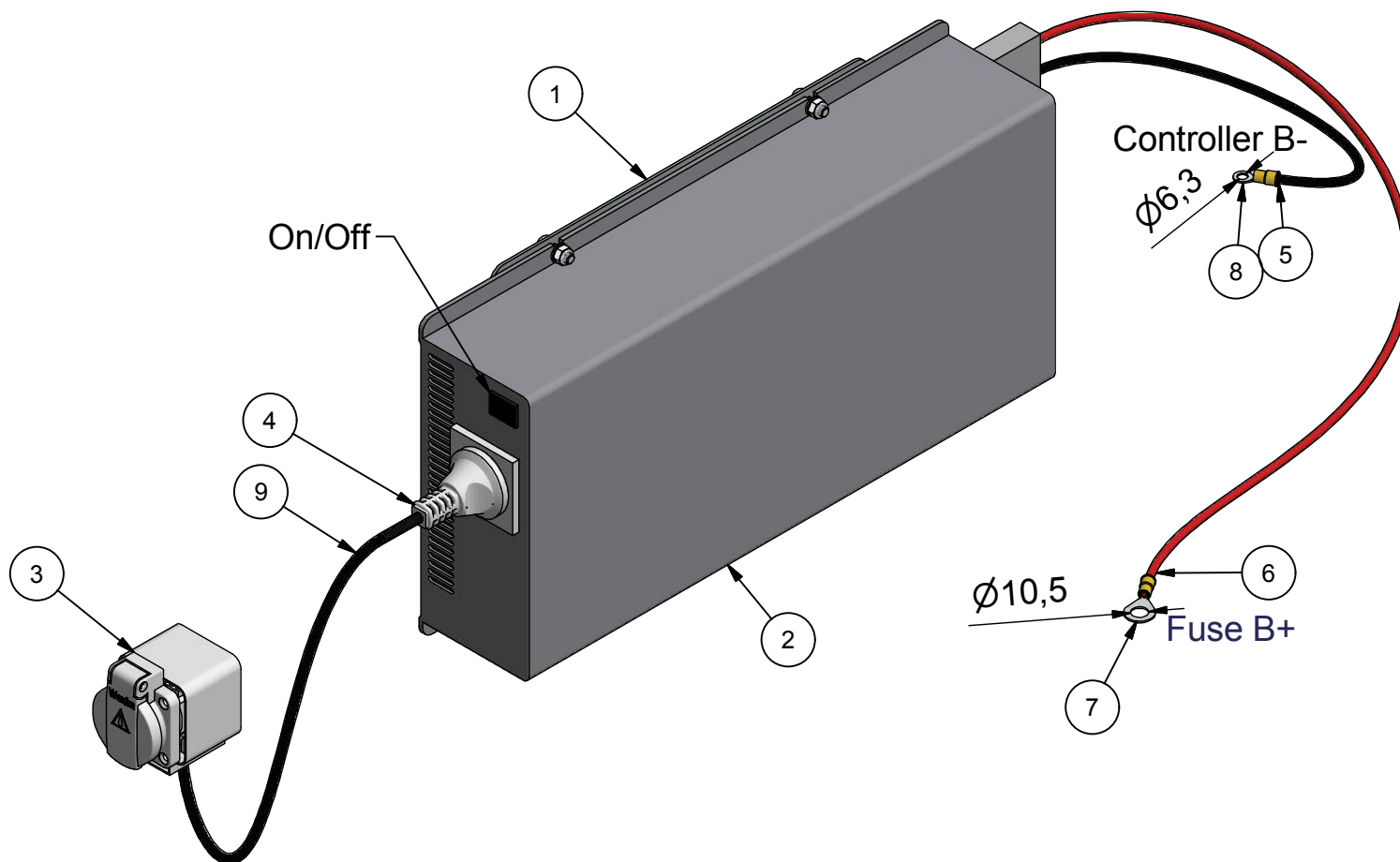


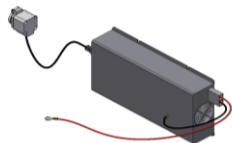
Baglift / Heckaushebung / Rear Lift

Multi EL Option 78-103-475 - 30/1.2012 update 11/10.18

| <i>Pos.</i> | <i>Benævnelse</i> | <i>Antal</i> | <i>Varenummer</i> | <i>Bemærkning</i> |
|-------------|------------------------|--------------|-------------------|-------------------|
| 1 | Bagliftbeslag | 1 | 78-103-470 | -> 2018 |
| | | | 78-810-110 | 2019 -> |
| 2 | Baglift | 1 | 223-100-10 | -> 2018 |
| | | | 78-810-120 | 2019 -> |
| 3 | Bøsning | 2 | 77-408-145 | Nylon |
| 4 | Aksel for baglift | 1 | 223-100-54 | -> 2018 |
| | | | 78-810-131 | 2019 -> |
| 5 | Arm | 2 | 223-100-15 | |
| 6 | Arm | 2 | 223-100-16 | |
| 7 | Cylinderbøsning | 1 | 223-100-07 | |
| 8 | Cylinder | 1 | 01-635-104 | |
| 9 | Anhængertræk | 1 | 223-100-25 | |
| 10 | Topstang for Miljørive | 1 | 223-101-10 | |

Inverter Option 78-601-750
48 VDC - 220 VAC True Sine 1500 W
Multi EL 4/12-2018 KJ





Inverter 48VDC x 230 VAC / 1500 Watt Multi EL Option 78-601-750



4/13.2018 KJ

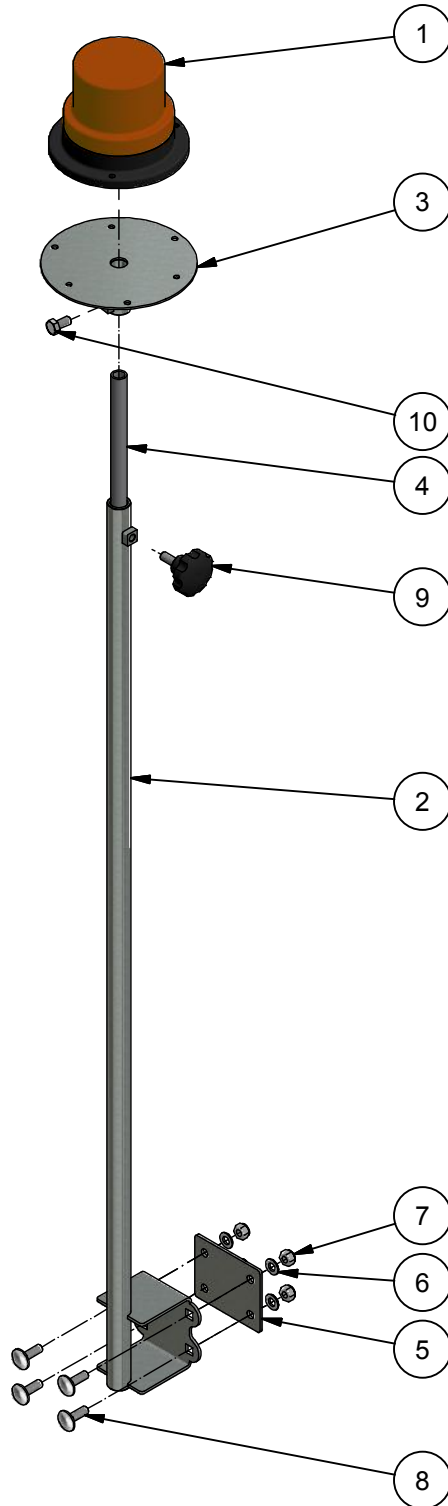
| Pos. | Benævnelse | Artikel | Description | # | Nr. | Note |
|-------------|-------------------|-------------------|--------------------|----------|-------------|-----------------------|
| 1 | Monteringsplade | Halterung | Base plate | 1 | 78-601-751 | |
| 2 | Inverter | Wechselrichter | Power Inverter | 1 | 2018-0018 | 1500 W |
| 3 | Stikdåse m. klap | Steckdose | Socket | 1 | 8717110230 | |
| 4 | Stikprop | Stecker | Plug | 1 | 428990132 | Schuko |
| 5 | Batterikabel | Batteriekabel | Battery cable | 0,6 M | 1430-003500 | 6 mm ² |
| 6 | Batterikabel rød | Batteriekabel rot | Battery cable red | 0,9 M | 1430-003510 | 6 mm ² |
| 7 | Øjekabelsko | Kabelschuhe | Cable lug | 1 | EK160124 | Ø10 mm |
| 8 | Øjekabelsko | Kabelschuhe | Cable lug | 1 | 1440-000428 | Ø6 mm |
| 9 | Ledning | Draht | Wire | 0,4 M | 1430-008520 | 3 x 1 mm ² |





Multi EL 2016 Option 78-601-810

Advarselsblink, Warning beacon, Warnleuchte

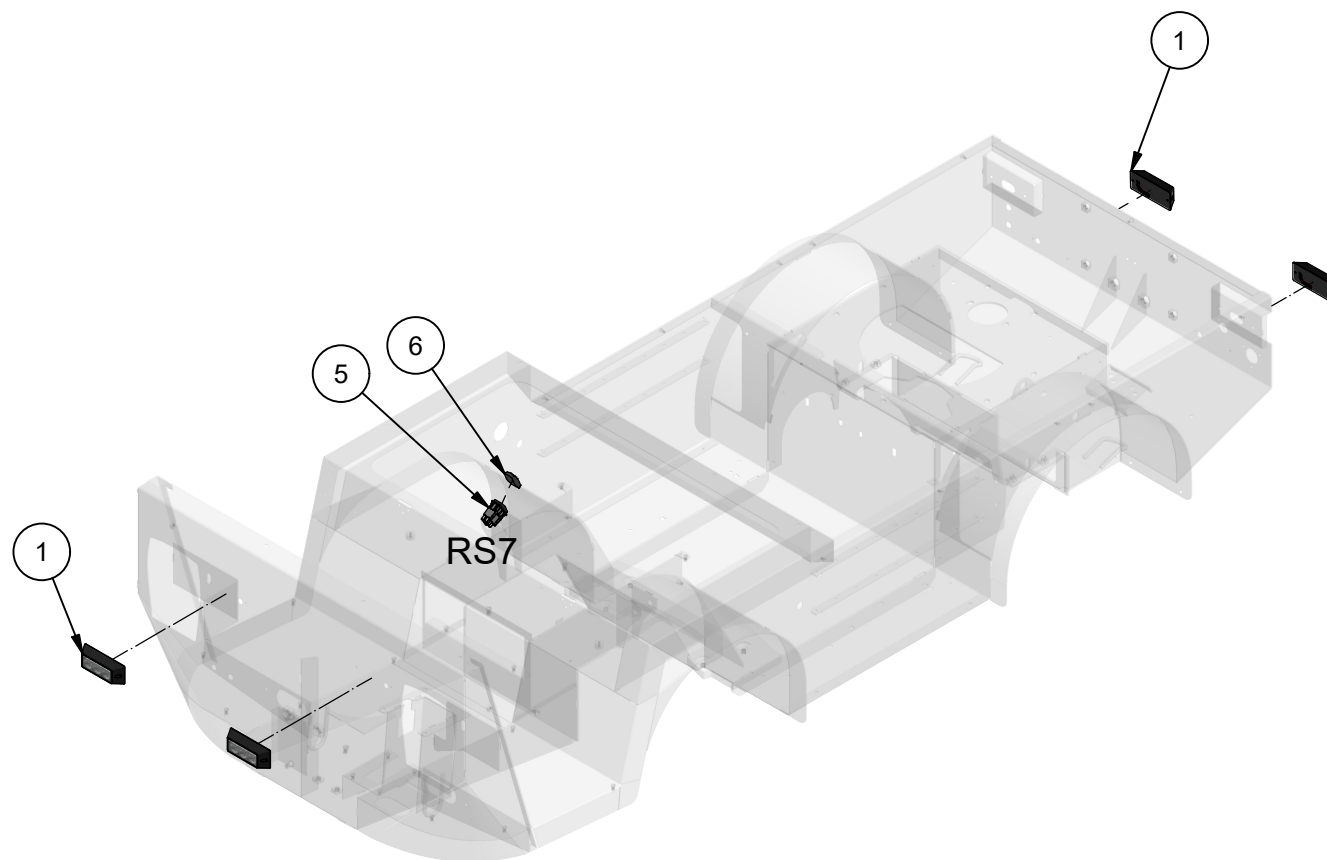




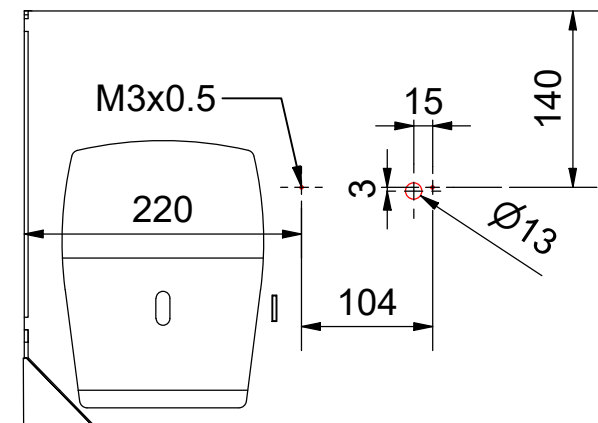
Advarselsblink/Warning Beacon/Warnleuchte
Multi EL Option 78-601-810
20/8-2017



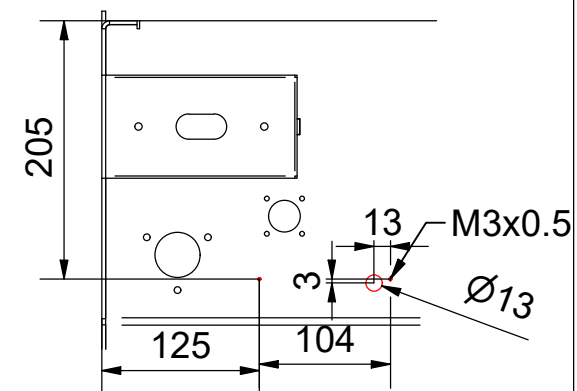
| <i>Pos.</i> | <i>Benævnelse</i> | <i>Antal</i> | <i>Varenummer</i> | <i>Bemærkning</i> |
|-------------|---------------------------|--------------|-------------------|-------------------|
| 1 | Advarselsblink flash | 1 | 171674 | |
| 2 | Opstander for blitz blink | 1 | 78-601-815 | |
| 3 | Beslag for rotorlys | 1 | 77-801-750 | |
| 4 | Teleskop-rør | 1 | 77-801-758 | |
| 5 | Afstivningsplade | 1 | 78-601-819 | |
| 6 | Facetskive | 4 | 36-300-008 | |
| 7 | Låsemøtrik | 4 | 31-101-008 | |
| 9 | Bræddebolt | 4 | 30-108-025 | M8 x 25 |
| 10 | Sætskrue | 1 | 29-108-016 | M8 x 16 |



Front



Back





Multi EL Option 78-202-525

LED-Flash Chassis

28/6-2021 KJ



| Pos. | Benævnelse | Description | Artikel | # | Nr. | Note |
|-------------|----------------------|--------------------------|----------------------|----------|-------------|----------------------------------|
| 1 | LED Advarselsblink | LED Flash lamp | LED Blitzleuchte | 4 | 2015-0080 | |
| 2 | Rundstiksko han | Cable lug round male | Kabelschuhe männlich | 7 | 1440-000217 | 4 mm red 0,5-1,5 mm ² |
| 3 | Rundstiksko hun | Cable lug round female | Kabelschuhe weiblich | 7 | 1440-000213 | 4 mm red 0,5-1,5 mm ² |
| 4 | Sokkel t/kabelbinder | Adhesive cable tie mount | Kabelbinderhalterung | 4 | 1435-070010 | 25x25 |
| 5 | Kontakt On/Off | Rockerswitch | Wippschalter | 1 | 2018-0011 | |
| 6 | Symbol rotorblink | Switch key | Taster | 1 | 2019-0004 | |
| 7 | Kabelsko hun | Cable lug female | Kabelschuhe weiblich | 1 | 226-002-02 | |

