

Onderdelenlijst / Partslist;

Becx Onkruidborstel Kantensnijder OBKS50-35

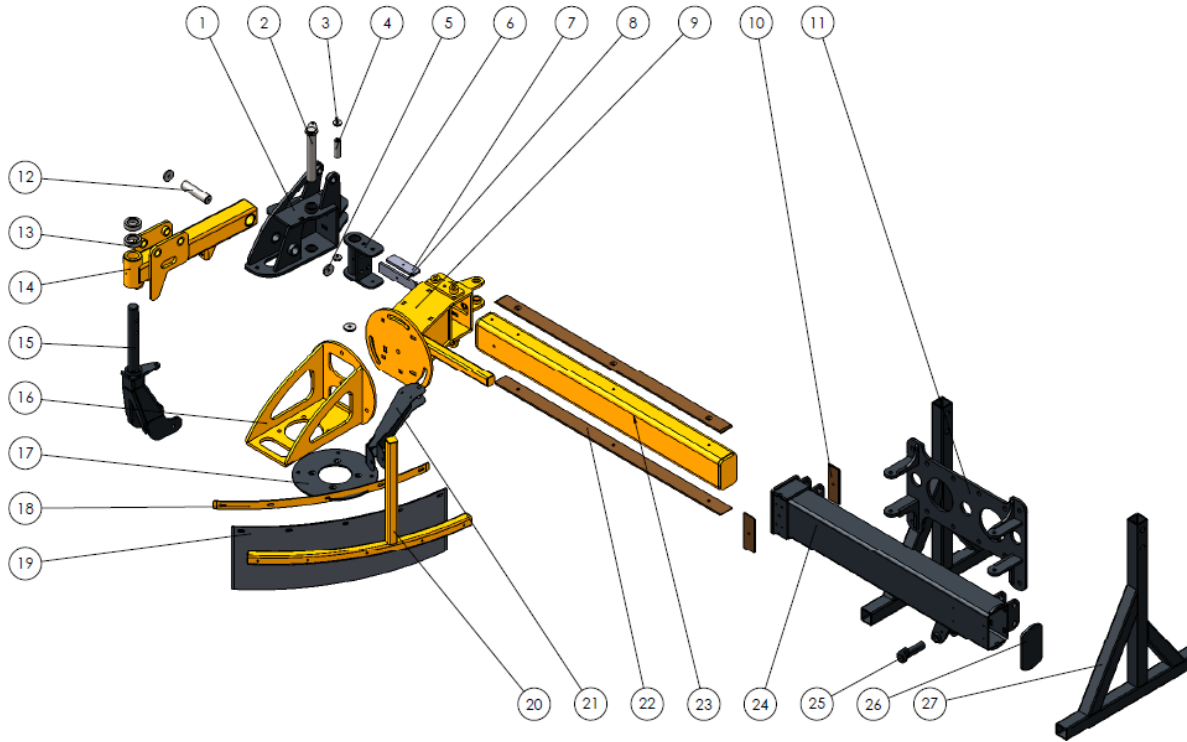
Versie; november 2016

		blz./page
Overzicht compleet	Complete overview	2
Hoofdframe	Main frame	3
Snijarm	Cutter-arm	4
Borstelarm	Brush-arm	5
Spatlap	Mudguard	6
Hydraulische koppelingen	Hydraulic couplings	7-8
Topstangen	Toplink	8
Hydraulische slangen	Hydraulic hoses	9

Becx Machines
Becx Tuinmachines B.V.
De Sonman 35
5066 GJ Moergestel
013-513 1140
info@becxtuinmachines.nl
<http://www.becxmachines.com>

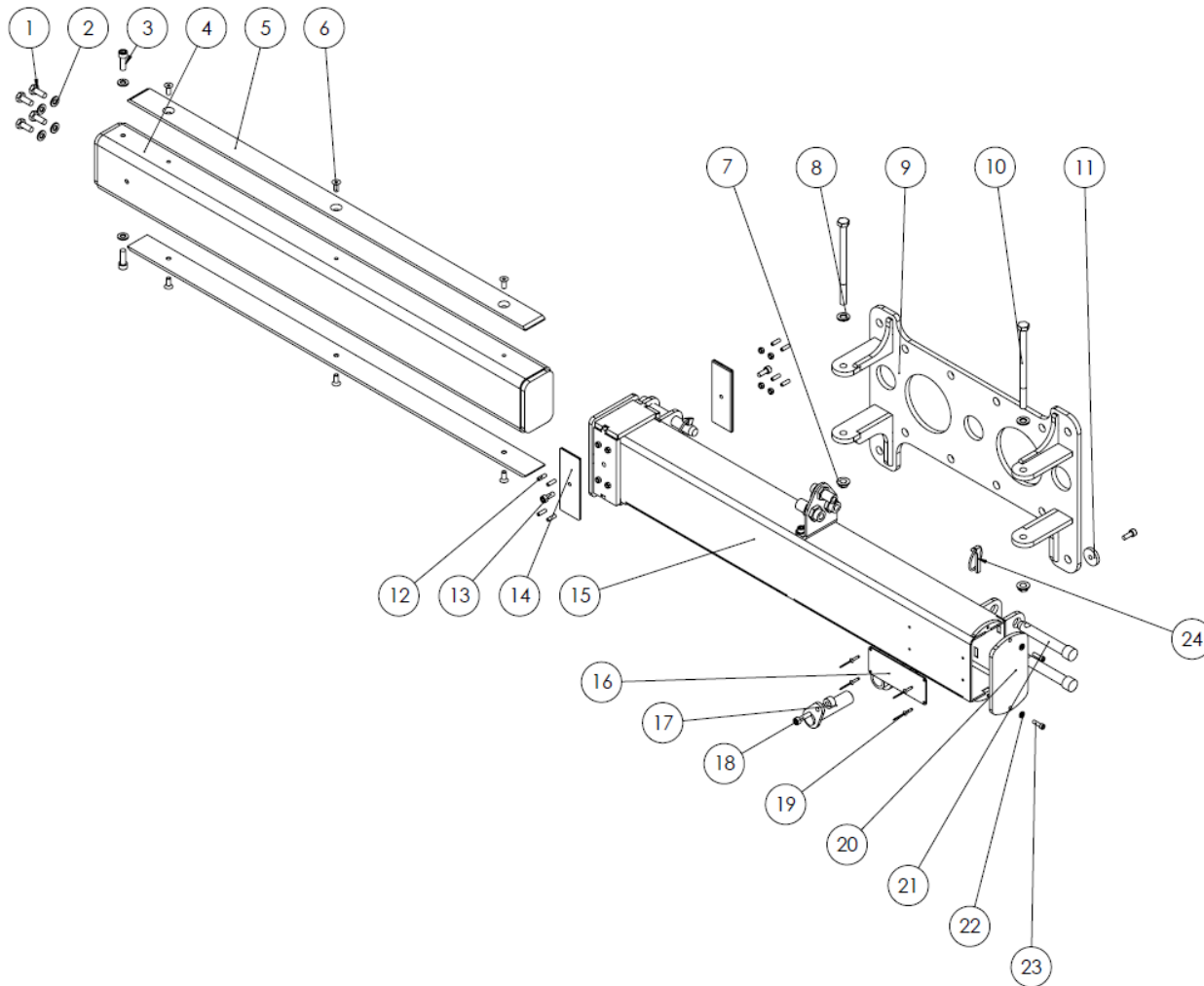


OBKS50-35, compleet/complete



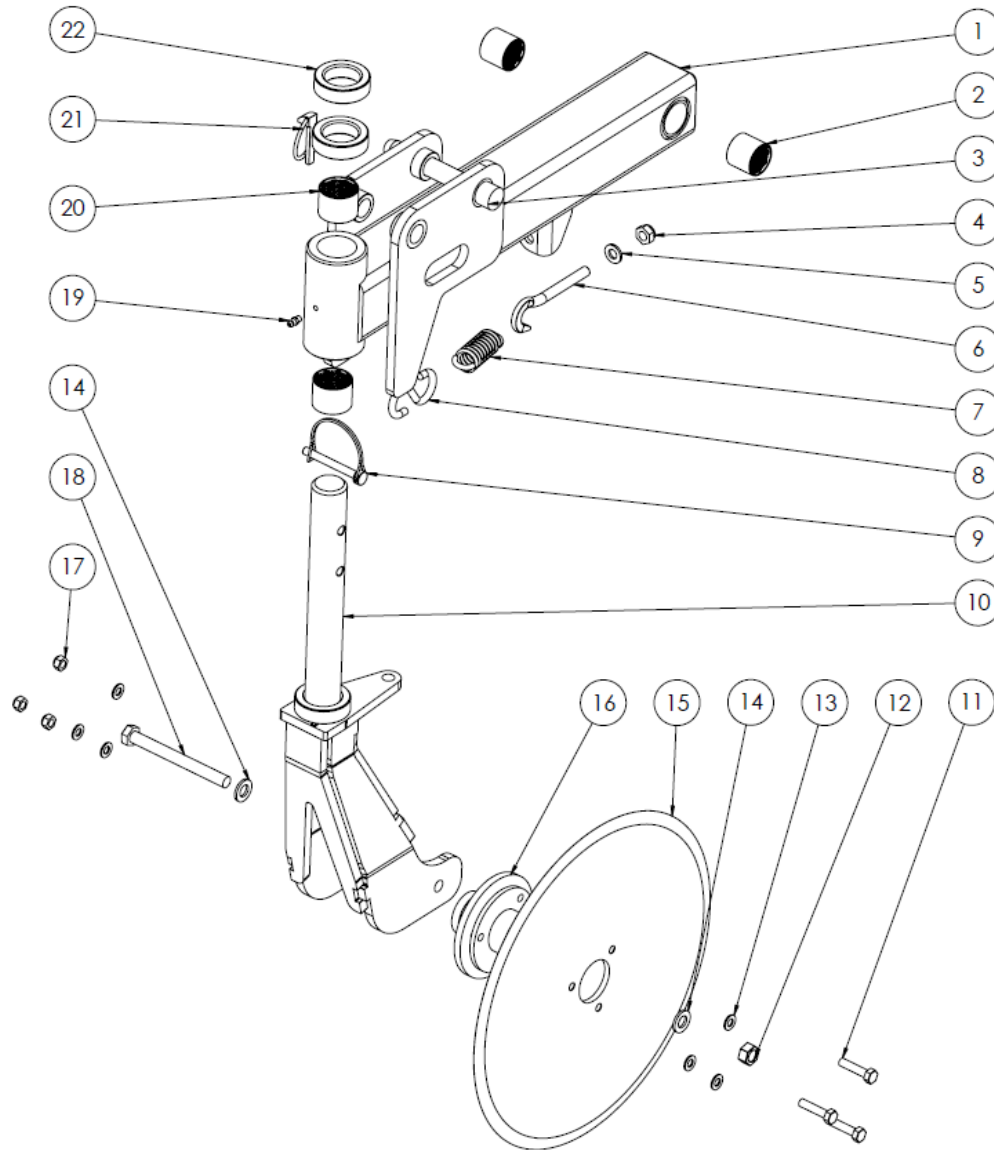
#	Aantal/ number	Artikelcode/code	Omschrijving	Description
1	1	BEC410300	Bevestiging kantensnijder	Mount edge-cutter
2	1	BEC411000	Pen 30mm	Pin 30mm
3	2	BEC410014	Borgring	Lock-ring
4	1	BEC410013	Pen 19mm	Pin 19mm
5	3	BEC404000	Borgring	Lock-ring
6	1	BEC410200	Draaideel Kantensnijder	Edge-cutter turnpart
7	1	BEC410001	Klemplaat	Clamp
8	1	BEC410002	Klemplaat	Clamp
9	1	BEC410100	Bevestiging onkruidborstel	Mount weed-brush
10	2	BEC403400	Slijtstrip kort	Wear strip (short)
11	1	BEC402100	Hoofdplaat	Mainplate
12	1	BEC410010	Pen 30mm	Pin 30mm
13	2	BEC410017	Stelring 16mm	Ring 16mm
14	1	BEC410400	Arm kantensnijder	Edge-cutterarm
15	1	BEC410500	Kouterschijf beugel	Cutting-disc bracket
16	1	BEC410600	Motorplaat	Motor mount
17	1	BEC410006	Adapterplaat borstel	Mounting plate brush
18	1	BEC410005	Strip	Strip
19	1	BEC410004	Spatlap	Mudguard
20	1	BEC410800	Spatlap Koker	Mudguard Tube
21	1	BEC410900	Spatlapklem	Mudguard clamp
22	2	BEC403300	Slijtstrip lang	Wear strip (long)
23	1	BEC402900	Uitschuifdeel	Side-shifter
24	1	BEC402400	Hoofdkoker	Maintube
25	2	BEC402700	Pen 25mm	Pin 25mm
26	1	BEC403100	Afdekplaat	Coverplate
27	2	BEC403900	Steunpoot	Support

OBKS50-35, hoofdframe/main frame



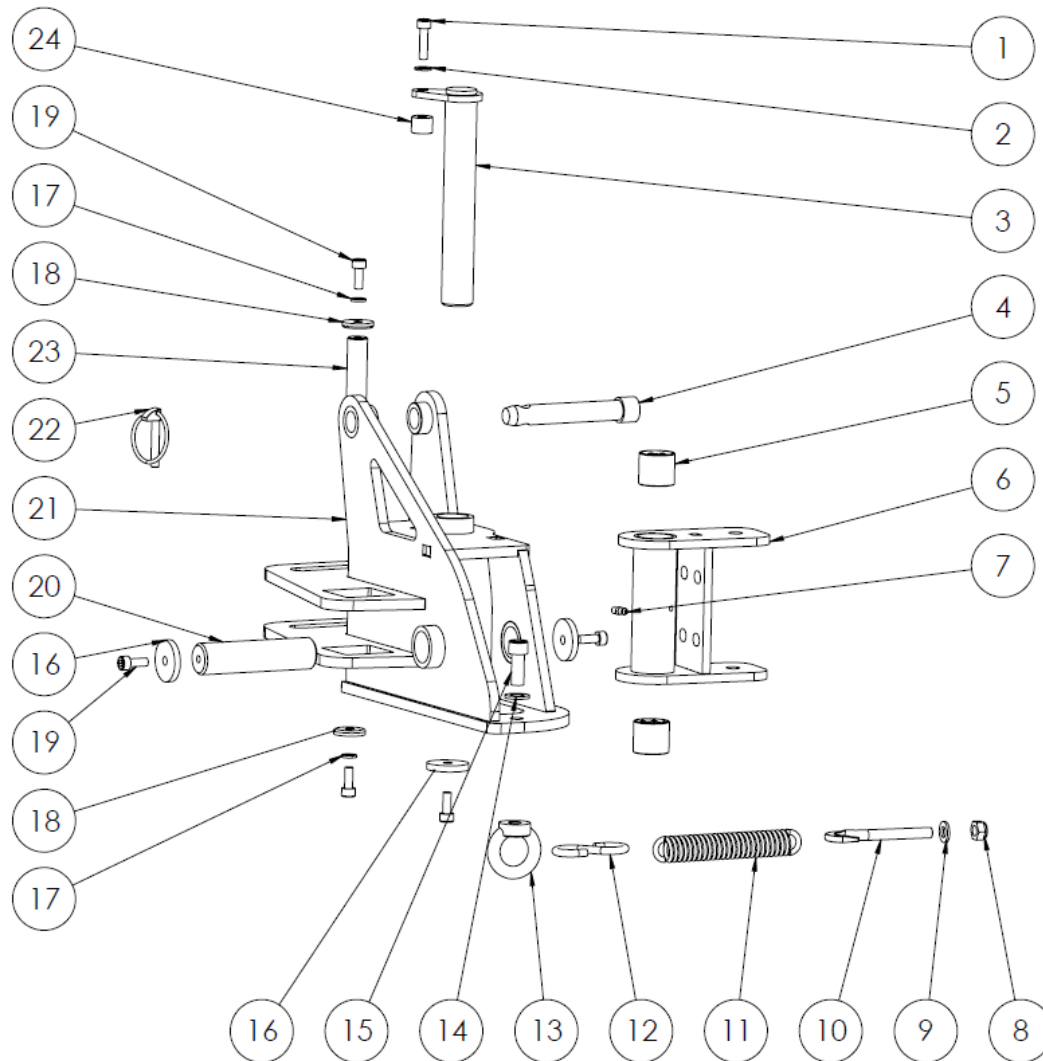
#	Aantal/ number	Artikelcode/ code	Omschrijving	Description
1	4	9331025	Tapbout M10 X 25	Bolt M10 X 25
2	6	125A10	Sluitring M10	Washer M10
3	2	9121030	Inbus M10x30	socket screw M10x30
4	1	BEC402900	Uitschuifdeel	Side-shifter
5	2	BEC403300	Slijtstrip lang	Wear strip (long)
6	6	7991820	Verzonken bout M8x20	Countersunk screw M8x20
7	2	12VT	Borgmoer M12	Locknut M12
8	2	125A12	Sluitring M12	Washer M12
9	1	BEC402100	Hoofdplaat	Mainplate
10	2	93112180	Bout M12x180	Bolt M12x180
11	1	BEC404200	Borgring	Lock-ring
12	8	916620B	Stelbout M6x20	Set screw M6x20
	8	9856	Borgmoer M6	Lock nut M6
13	3	912820	Inbus M8x20	Socket screw M8x20
14	2	BEC403400	Slijtstrip kort	Wear strip (short)
15	1	BEC402400	Hoofdkoker	Maintube
16	1	BEC000001	Typeplaat	Type plate
17	1	BEC402700	Pen 25mm	Pin 25mm
18	1	912830	Bout M8x30	Bolt M8x30
19	4	BN416	Popnagel 4x16mm	Rivet 4x16mm
20	1	BEC403100	Afsluitplaat	Closing plate
21	4	Z319102KR	Topstangpen	Linkage Pin
22	2	125A6	Sluitring M6	Washer M6
23	2	912620	Inbus M6x16	Socket screw M6x16
24	4	LP11KR	Borgpen 11mm	Linch pen 11mm

OBKS50-35, snijsch. arm/cutter arm



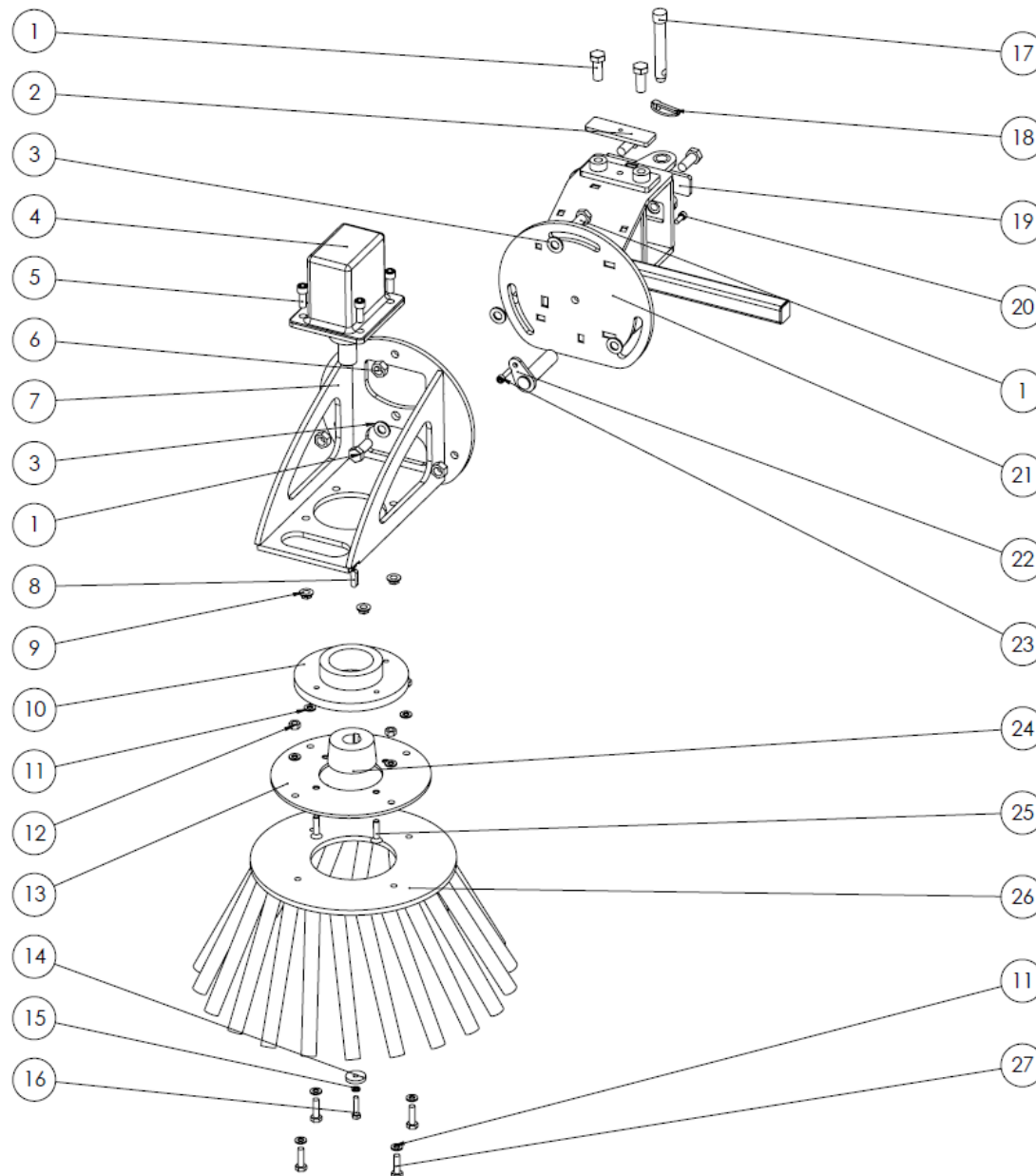
#	Aantal/ number	Artikelcode/ code	Omschrijving	Description
1	1	BEC410400	Arm Kantensnijder	Edge-cutterarm
2	2	WB303430	Glijlagerbus	Bearing Bush
3	1	Z319102KR	Borgpen	Lock-pin
4	1	98510	Borgmoer M10	Locknut M10
5	1	125A10	Sluitring M10	Washer M10
6	1	148010HG	Spanschroef M10	Screw M10
7	1	BEC412100	Veer short	Spring short
8	1	SH07	S-haak	S-hook
9	1	LP868KR	Borgpen	Lock-pin
10	1	BEC410500	Kouterschijf beugel	Cutting-disc bracket
11	3	933835	Tapbout M8 x 35	Blot M8 x 35
12	1	93412	Moer M12	Nut M12
13	6	125A8	Sluitring M8	Washer M8
14	2	125A12	Sluitring M12	Ring M12
15	1	CD3502	Snijschijf	Cutting disk
16	1	CD1400	Snijschijf naaf	Cutting-disk hub
17	3	9858	Borgmoer M8	Locknut M8
18	1	93312120	Bout M12 x 120	Bolt M12 x 120
19	1	BEC040600	Smeernippel M6	Grease Nipple M6
20	2	WB353930	Glijlagerbus	Bearing Bush
21	1	LP11KR	Borgpen 11mm	Linch pen 11mm
22	2	BEC242800	Opsluitring	ring

OBKS50-35, kantensnijmes bevestiging / cutter arm mount



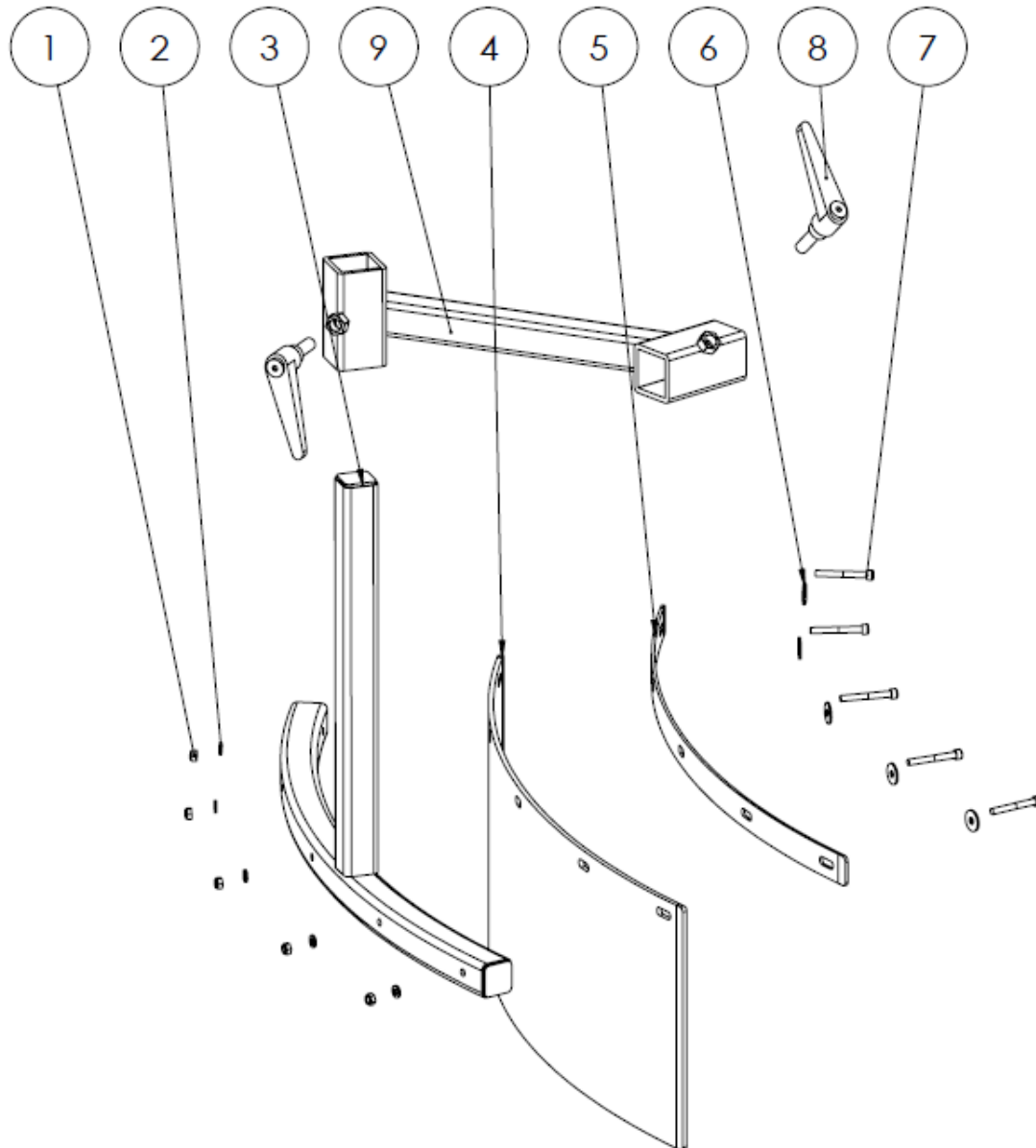
#	Aantal/ number	Artikelcode/ code	Omschrijving	Description
1	1	912830	Bout M8 x 30	Bolt M8 x 30
2	1	125A8	Sluitring M8	Washer M8
3	1	BEC411000	Pen 30mm	Pin 30mm
4	1	Z319102KR	Borgpen	Lock-pin
5	2	WB303430	Glijlagerbus	Bearing Bush
6	1	BEC410200	Bevestiging Kantensnijder	Mount edge-cutter
7	1	BEC040600	Smeernippel M6	Grease Nipple M6
8	1	98510	Borgmoer M10	Locknut M10
9	1	125A10	Sluitring M10	Washer M10
10	1	148010HG	Spanschroef M10	Screw M10
11	1	BEC412200	Veer long	Spring long
12	1	SH07	S-haak	S-hook
13	1	58212	Oogmoer M12	Eye Nut M12
14	1	125A12	Sluitring M12	Ring M12
15	1	9121230	Inbus M12 x 30	Socket Screw M8 x 30
16	3	BEC406700	Opsluitring	ring
17	2	127B8	Veerring M8	Spring washer M8
18	1	BEC410300	Draaideel Kantensnijder	Edge-cutter turnpart
19	5	912820	Inbus M8 x 20	Socket Screw M8 x 20
20	1	BEC410010	Pen 30mm	Pin 30mm
21	1	BEC410300	Bevestiging Kantensnijder	Mount edge-cutter
22	1	LP11KR	Borgpen 11mm	Linch pen 11mm
23	1	BEC410013	Pen 19mm	Pin 19mm
24	1	BEC407000	Vulbus M8 X 15	

OBKS50-35, borstelarm/brusharm

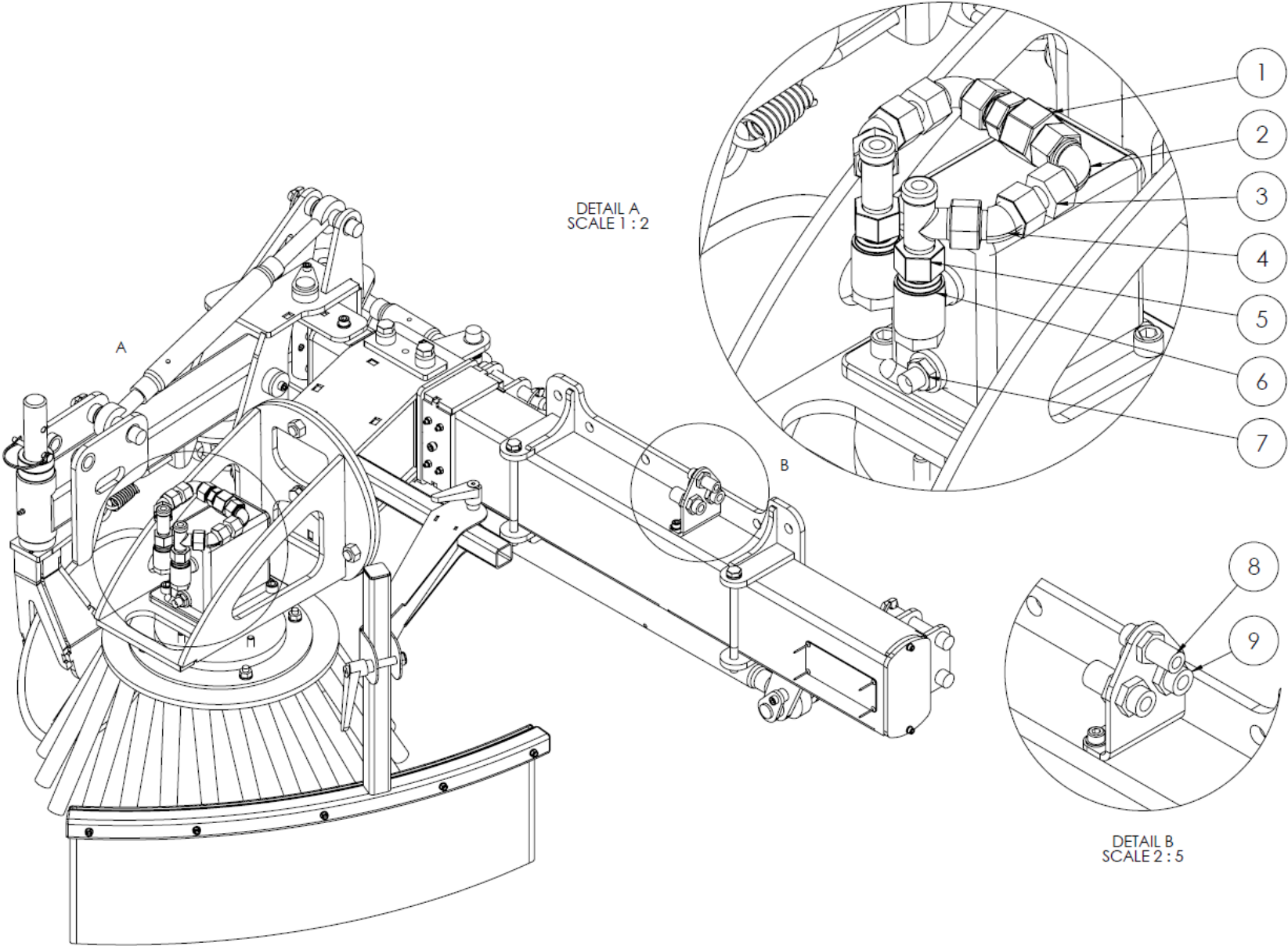


#	Aantal/ number	Artikelcode/ code	Omschrijving	Description
1	4 /4	9331635 /9331650	Bout M16 x 35 / Bout M16 x 50	Socket Screw M16 x 35 / Socket Screw M16 x 50
2	1	BEC410001	Klemplaat 1	Clamp 1
3	4	125A16	Sluitring M16	Washer M16
4	1	BEC121100	Motor	Motor
5	4	9121235	Inbus M12 x 35	Socket Screw M12 x 35
6	3	93416	Moer M16	Nut M16
7	1	BEC410600	Motorplaat	Motor Mounting plate
8	1	BEC121000	Spie	Key
9	4	12VT	Borgmoer M12	Locknut M12
10	1	SE126TL	Taperlock-tand (Bew.)	Taperlock-gear (Mod.)
11	8	125A10	Sluitring M10	Washer M10
12	4	93410	Moer M10	Nut M10
13	1	BEC410006	Adapterplaat	Brush Mounting plate
14	1	BEC404200	Ring M8 x 35	Ring M8 x 35
15	1	127B8	Veerring M8	Spring Washer M8
16	1	933835	Inbus M8 x 35	Socket screw M8 x 35
17	1	Z319102KR	Topstangpen	Linkage Pin
18	1	LP11KR	Borgpen 11mm	Linch pen 11mm
19	1	BEC410002	Klemplaat 2	Clamp 2
20	1	912820	Inbus M8 x 20	Socket Screw M8 x 20
21	1	BEC410100	Bevestiging Borstel	Mount weed-brush
22	1	BEC402700	Pen 25mm	Pin 25mm
23	1	912830	Inbus M8 x 30	Socket Screw M8 x 30
24	1	251732TL	Taperlock bus	Taperlock hub
25	4	79911030	Verzonken inbusbout M10 x 30	Hex Countersunk Bolt M10 x 30
26	1	BEC400100	Borstel 50	Brush 50
27	4	9331035	Bout M10 x 35	Bolt M10 x 35

OBKS50-35, Spatlap/mudguard



#	Aantal/ number	Artikelcode/ code	Omschrijving	Description
1	5	9856	Borgmoer M6	Lock nut M6
2	5	125A6	Sluitring M6	Washer M6
3	1	BEC410800	Spatlap koker	Mudguard Tube
4	1	BEC410004	Spatlap	Mudguard
5	1	BEC410005	Strip	Strip
6	5	9021A6	Carr. Ring M6	Washer M6
7	5	912650	Inbus M6 x 50	Socket screw M6 x 50
8	2	KS466424	Klemgreepschroef	Clamp Screw
9	1	BEC410900	Spatlapklem	Mudguard Clamp



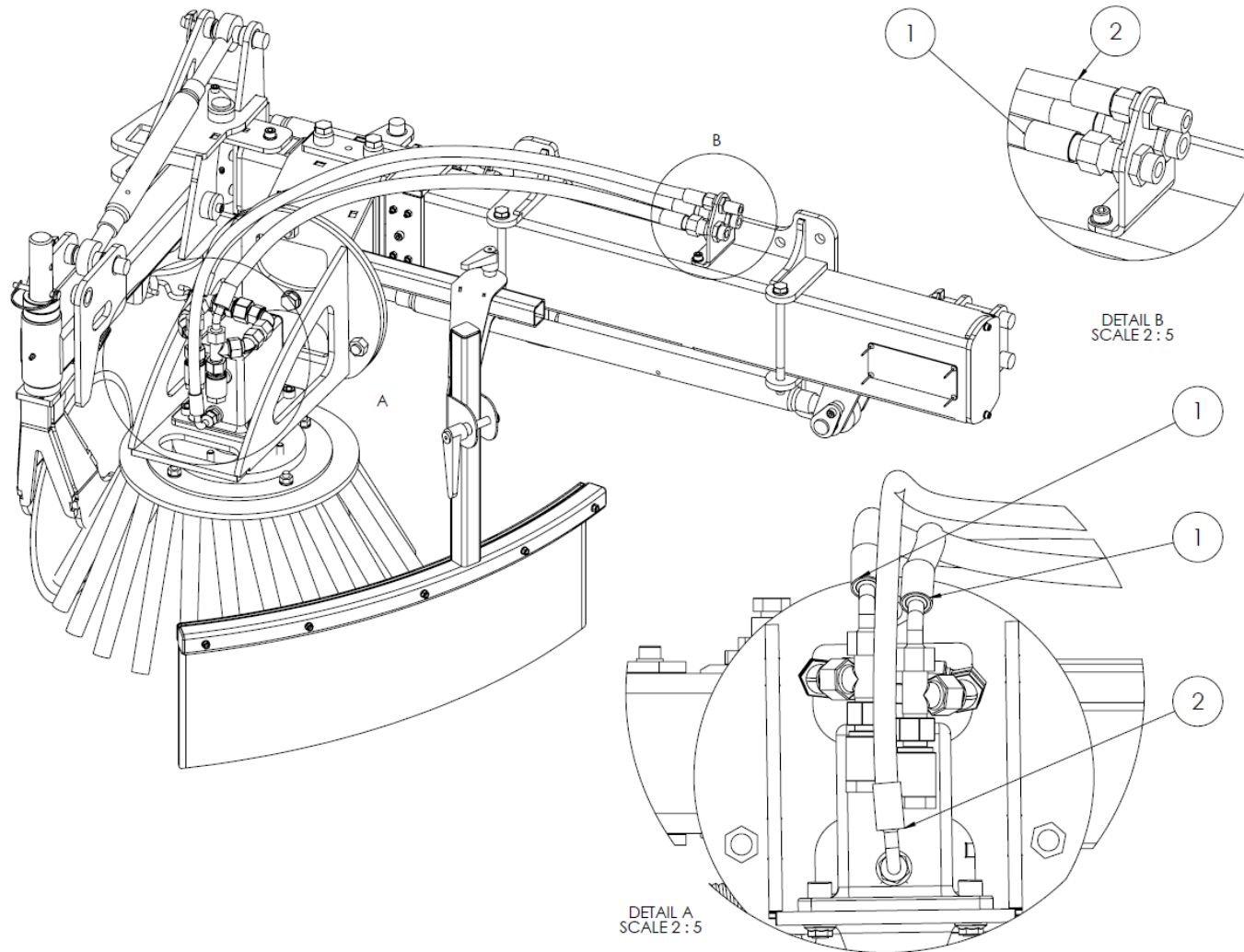
OBKS50-35, Koppelingen/Couplings ,

#	Aantal/ Number	Artikel/ Code	Artikelcode/ Code	Omschrijving	Description
1	1	BEC083200	RHD-15-I-BO	TERUGSLAGKLEP OBKS50-35	CHECKVALVE OBKS50-35
2	2	BEC406100	EVW-15L-BO	Snijringkopp. Haaks instelbaar	Cutting ring coupling angled adjustable
3	2	BEC405800	GVO-15L-15L	Snijringkopp. Rechte schroefverbinding	Cutting ring coupling angled Straight screw connection
4	2	BEC406200	EV-15L-BO	Snijringkopp. 45gr instelbaar	Cutting ring coupling adjustable 45deg
5	2	BEC405900	EVL-15L-BO	Snijringkopp. Instelbare T Bodyonly	Cutting ring coupling. adjustable T Bodyonly
6	2	BEC409000	SVWE-15LR-1/2-BO	Snijringkopp. Banjo-koppeling BSPP	Cutting ring coupling, Banjo-coupling BSPP
7	1	BEC171200	A04BM-04BM	Adaptor	Adapter
7.1	1	BEC170600	1071-1/4	USIT afdichting. 1/4	USIT seal 1/4
8	1	BEC408700		Snijringkopp. Rechte schotkoppeling	Cutting ring coupling straight bulkhead
9	2	BEC408800		Snijringkopp. Rechte schotkoppeling	Cutting ring coupling straight bulkhead

OBKS50-35, Topstang/Toplink

Aantal/ Number	Artikel/ Code	Omschrijving	Description
1	TL7003022GP	TOPSTANG 700-M30 CAT 2	Toplink 700-M30 CAT 2
1	TL3002411GP	TOPSTANG 300-M24 CAT 1	Toplink 300-M24 CAT 1
1	TL1502411GP	TOPSTANG 150-M24 CAT 1	Toplink 150-M24 CAT 1

OBKS50-35, hydraulica/hydraulics, slagen/hoses



#	Aantal/Number	Artikelcode/code	Slang Type/ Hose Type	Koppeling/ Coupling	Koppeling/ Coupling	Omschrijving	Description
1	2	BEC405200	2SC-1/2-2780	C22D90-15L-08	C08-BM-08	OBKS50-35 MOTORSLANG	OBKS50-35 ENGINEHOSE
2	1	BEC405300	2SC-3/8-2070	C04-B90-06	C06-BM-06	OBKS50-35 SLANG	OBKS50-35 HOSE