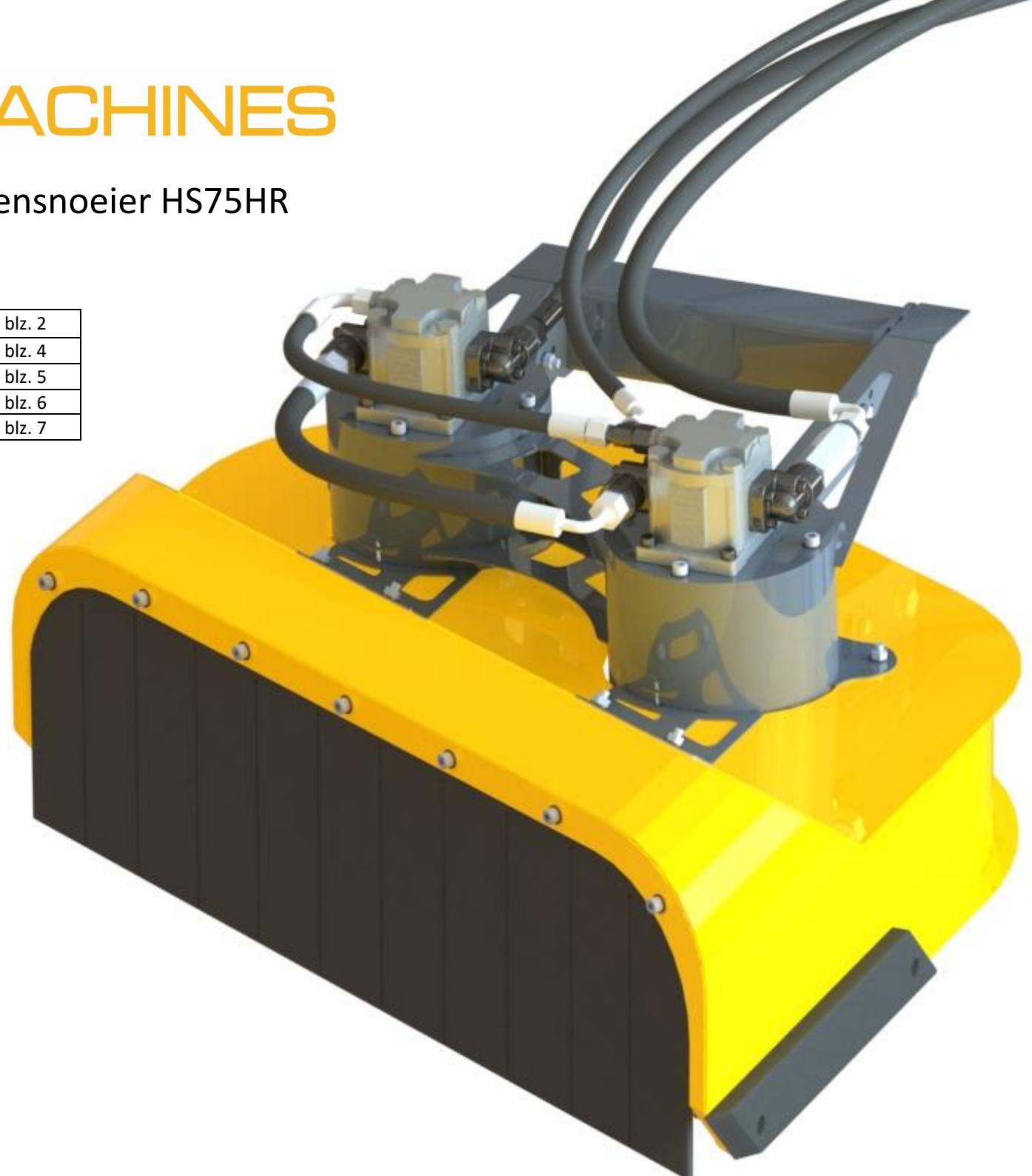


## Onderdelenlijst Becx Heggensnoeier HS75HR

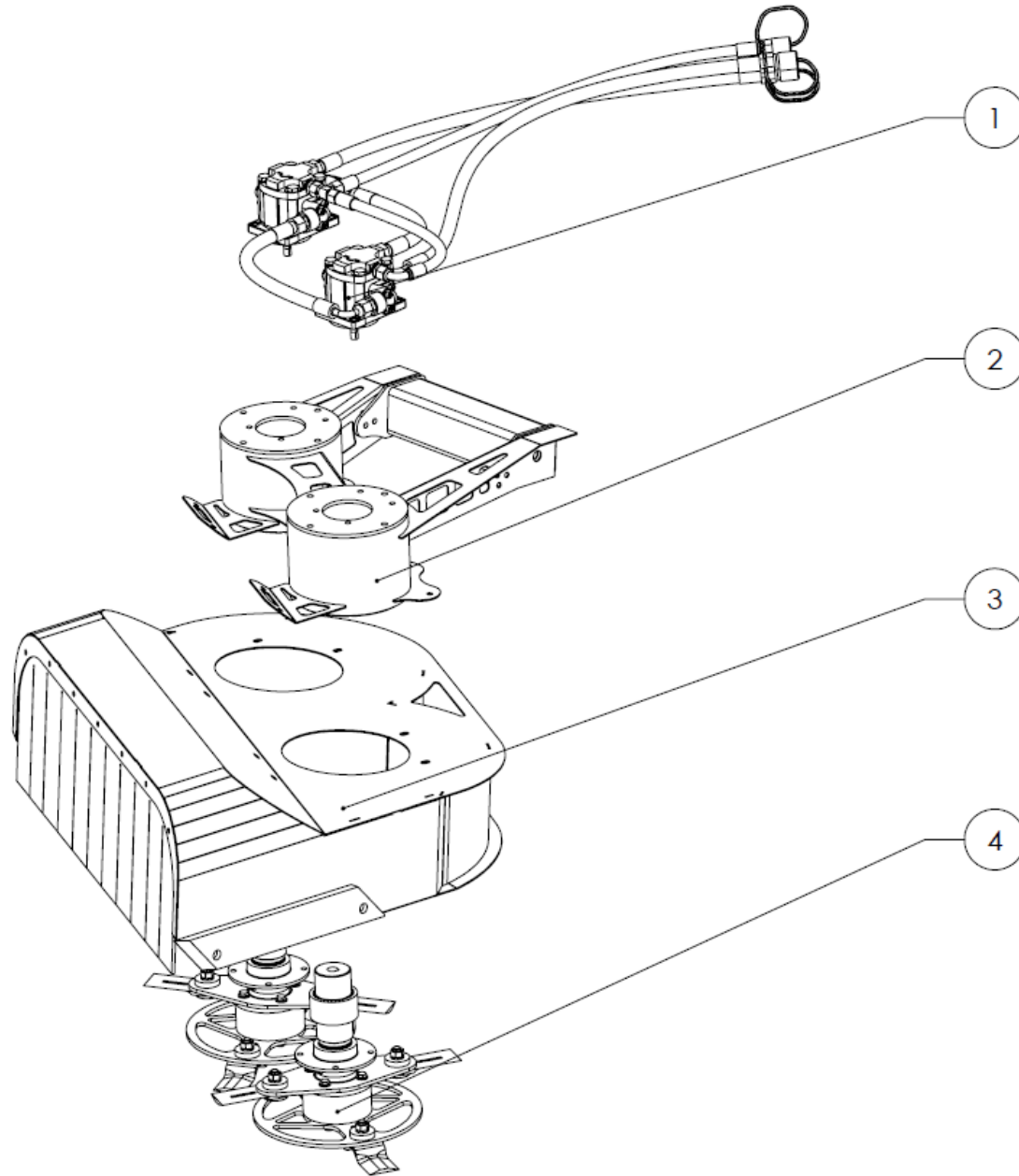
Versie; 02-12-'16

Compleet overzicht	Complete overview	blz. 2
Hydraulica	Hydraulics	blz. 4
Frame	Frame	blz. 5
Kap	Body	blz. 6
Messenkop	Cutting unit	blz. 7

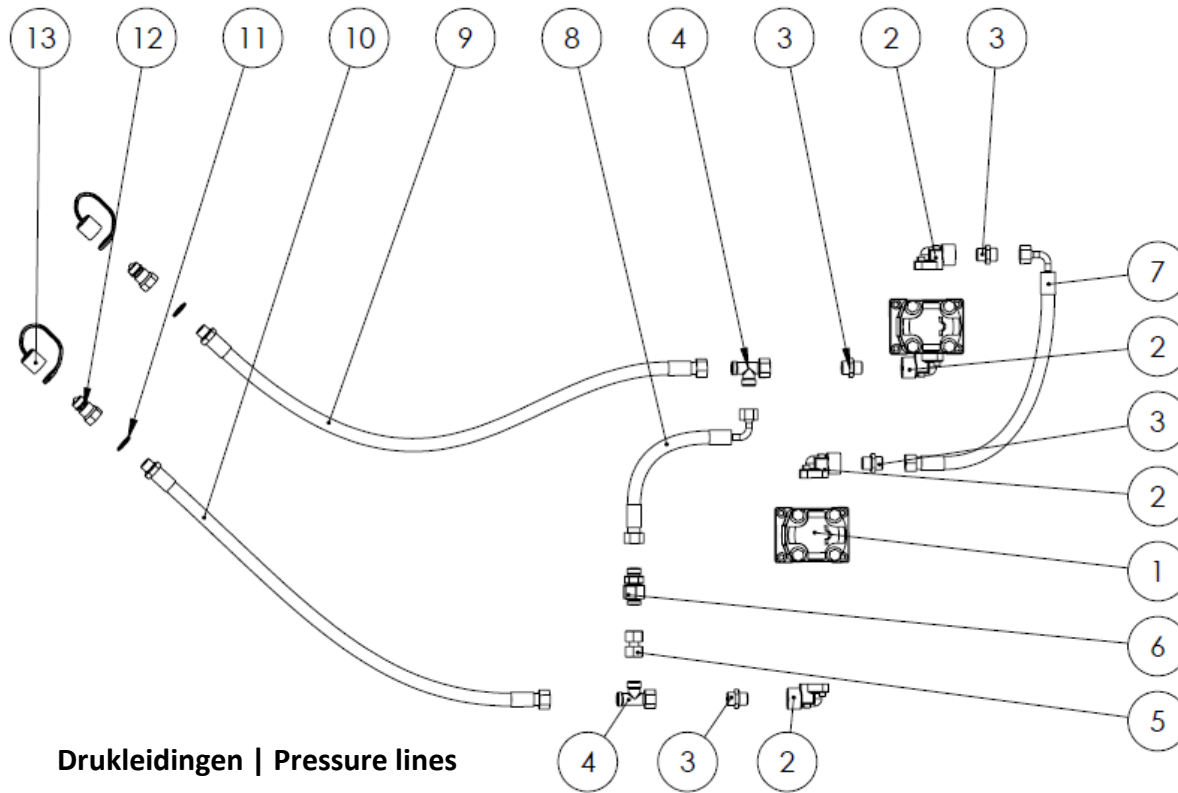


Becx Machines  
Becx Tuinmachines Moergestel B.V.  
De Sonman 35  
5066 GJ Moergestel  
+31 (0)13 - 513 1140  
info@becxmachines.com  
<http://www.becxmachines.com>

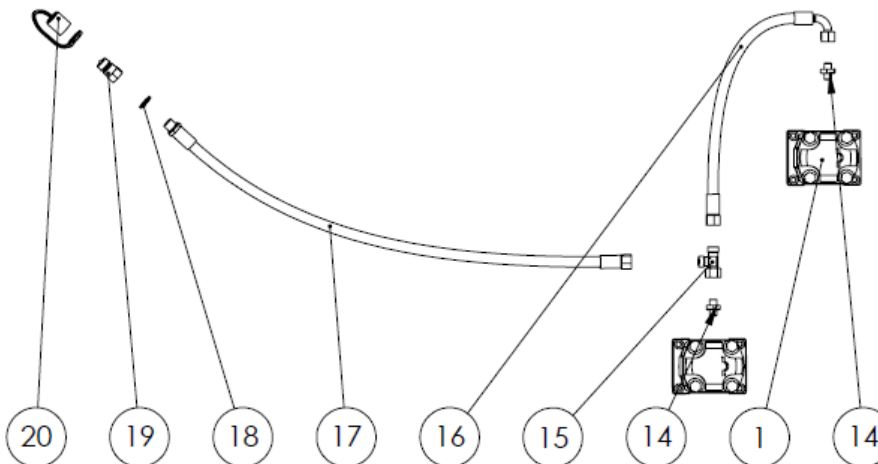
## HS75HR | Compleet | Complete



#	Aantal / Number	Artikelcode	Omschrijving	Description
1	1		Hydraulica	Hydraulics
2	1		Frame	Frame
3	1		Beschermkap	Protectioncover
4	3		Messenkoppen	Cutting-units

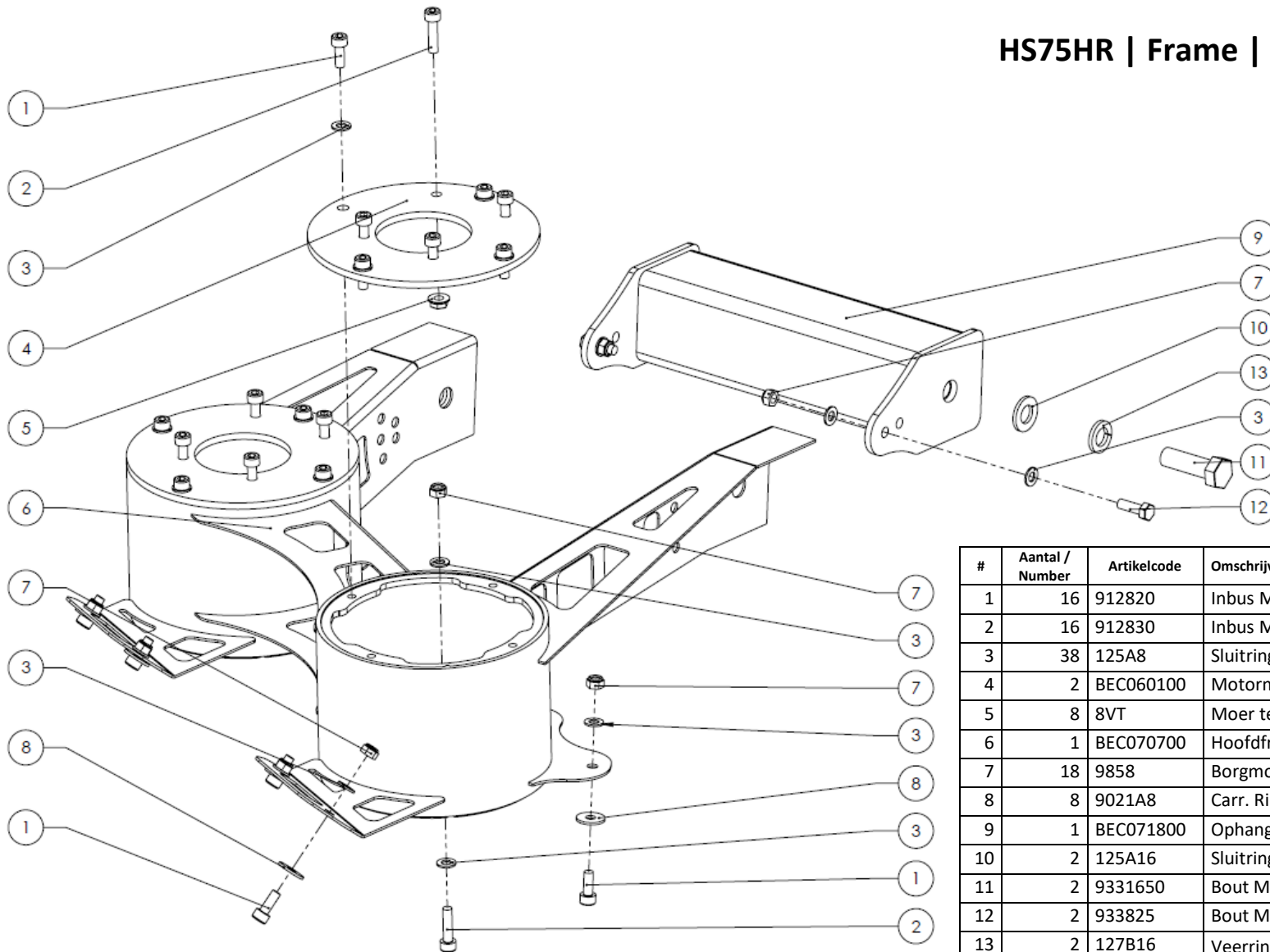


Lekleidingen | Leaklines



#	aantal	Artikelcode	Omschrijving	Description
1	2	BEC011209	Hydro motor 8CC	Hydro motor 8CC
2	4	BEC011101	RR35X12HA	RR35X12HA
3	4	BEC012200	GE-15LRDE-1/2-BO	GE-15LRDE-1/2-BO
4	2	BEC405900	EVL-15L-BO	EVL-15L-BO
5	1	BEC405800	GVO-15L-15L	GVO-15L-15L
6	1	BEC083200	Terugslagklep	Checkvalve
7	1	BEC010900	Slang 1 HS75HR	Hose 1 HS75HR
8	1	BEC091200	Slang 2 HS75HR	Hose 2 HS75HR
9	1	BEC015300	Retourslang HS75HR	Returnhose HS75HR
10	1	BEC091300	Perssling HS75HR	Pressurehose HS75HR
11	2	BEC170800	1071-1-2	1071-1-2
12	2	BEC013000	NV-12GAS-M	NV-12GAS-M
13	2	BEC013300	TF-12 Blauw	TF-12 Blue
14	2	BEC172600	GE-12LMDE-12-BO	GE-12LMDE-12-BO
15	1	BEC066100	EVL-12L-BO	EVL-12L-BO
16	1	BEC091400	Lekleiding 1 HS75HR	Leakline 1 HS75HR
17	1	BEC091500	Lekleiding 2 HS75HR	Leakline 2 HS75HR
18	1	BEC170700	1071-3-8	1071-3-8
19	1	BEC013100	NV-38GAS-M	NV-38GAS-M
20	1	BEC013400	TF-38 Blauw	TF-38 Blue

## HS75HR | Frame | Frame

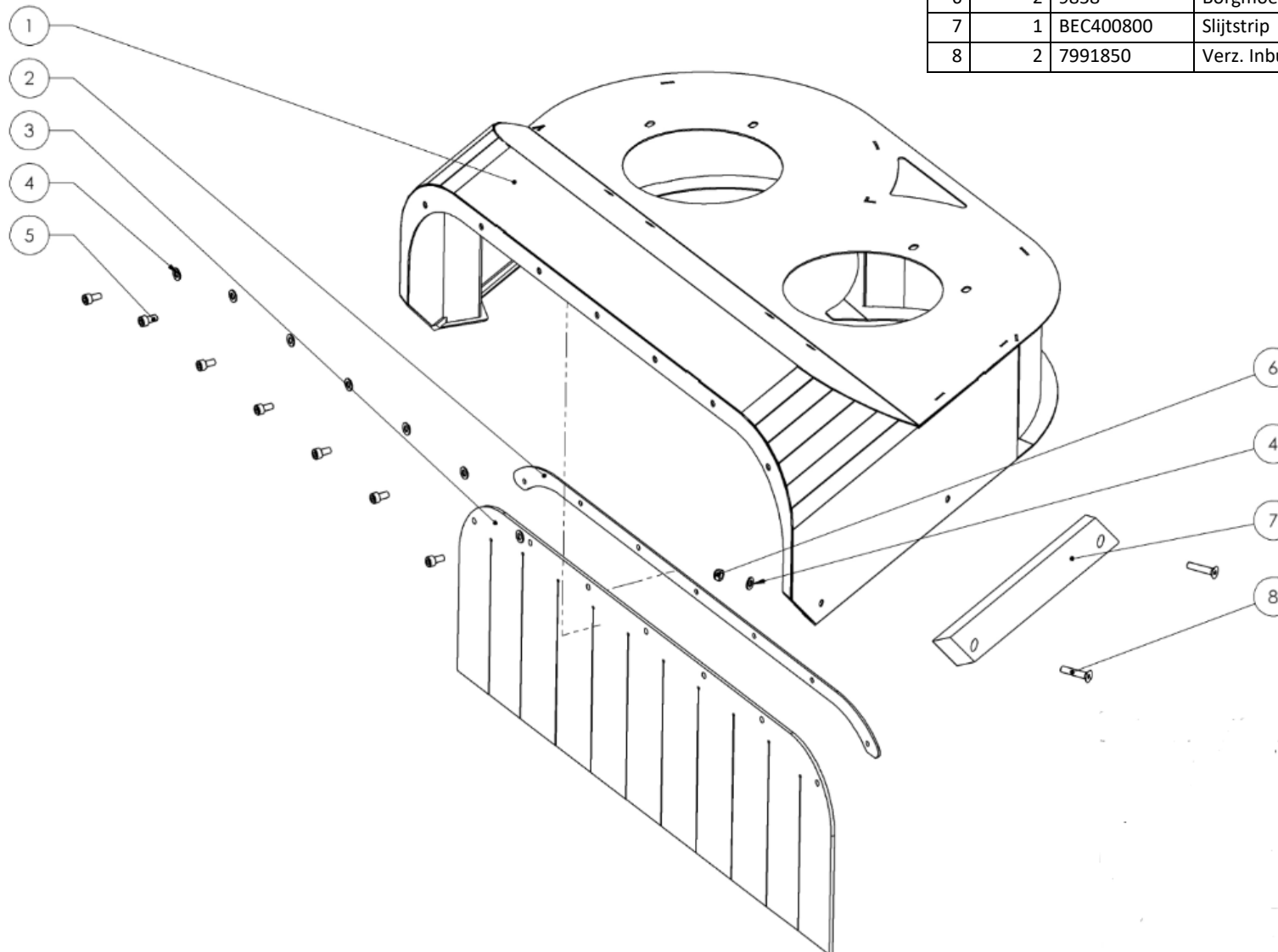


#	Aantal / Number	Artikelcode	Omschrijving	Description
1	16	912820	Inbus M8x20 8.8	Socket M8x20 8.8
2	16	912830	Inbus M8x30 8.8	Socket M8x30 8.8
3	38	125A8	Sluitring M8	Washer M8
4	2	BEC060100	Motormontageplaat	Motormountingplate
5	8	8VT	Moer tensilock M8	Nut tensilock M8
6	1	BEC070700	Hoofdframe	Mainframe
7	18	9858	Borgmoer M8	Locknut M8
8	8	9021A8	Carr. Ring M8	Body ring M8
9	1	BEC071800	Ophangkoker	Mounting beam
10	2	125A16	Sluitring M16	Washer M16
11	2	9331650	Bout M16x50 8.8	Bolt M16x50 8.8
12	2	933825	Bout M8x25 8.8	Bolt M8x25 8.8
13	2	127B16	Veerring M16	Spring washer M16

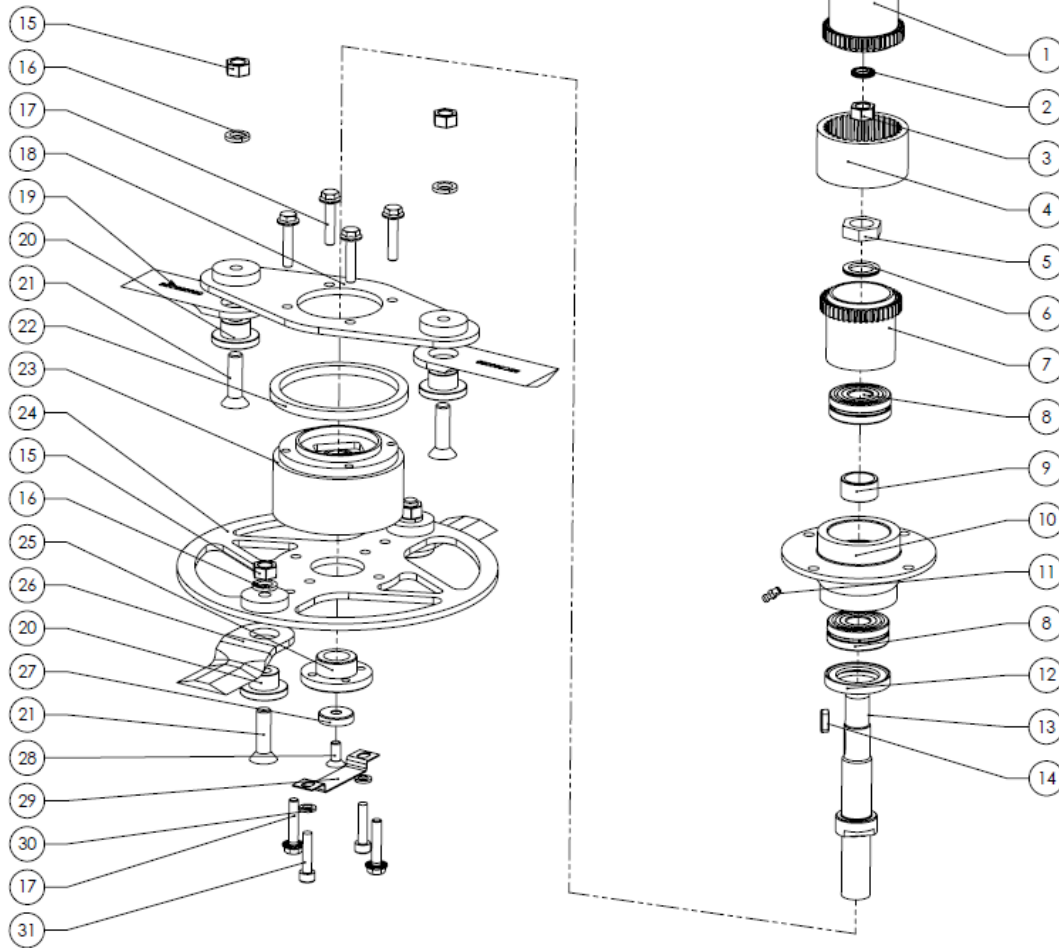
## HS75HR | Beschermkap | Body

#	Aantal / number	Artikelcode	Omschrijving	Description
9	1	BEC231200	Sticker max 24 L	Sticker max 24 L
10	1	BEC231300	Sticker max 3000 RPM	Sticker max 3000 RPM
11	1	BEC231400	Sticker Becx Logo	Sticker Becx Logo
12	1	BEC031500	Sticker handleiding	Sticker manual
13	2	BEC031600	Sticker waarsch. Snijden.	Sticker cutting-danger

#	Aantal / number	Artikelcode	Omschrijving	Description
1	1	BEC070800	Beschermkap	Safety-body
2	1	BEC071000	Lamellenstrip	Fin-mounting-strip
3	1	BEC071100	Lamellen	Fins
4	9	125A8	Sluitring M8	Washer M8
5	7	912816	Inbus M8x16 8.8	Socket M8x16 8.8
6	2	9858	Borgmoer M8	Nut M8
7	1	BEC400800	Slijtstrip	Anti-wear
8	2	7991850	Verz. Inbusbout M8x50	Counters. Socket M8x50



## HS75HR | Messenkop | Cutting unit



#	Aantal / Number	Artikelcode	Beschrijving	Description
1	1 (2)	BEC040230	Motorverbindingset p1	Motorconnection set p1
2	1 (2)	NL12GEL	Nordlocking M12	Nordlocking M12
3	1 (2)	9341215B	Moer M12 x 1,5	Nut M12 x 1,5
4	1 (2)	BEC042300	Kunststof beveiliging	Nylon overload-prot.
5	1 (2)	BEC072500	Moer M20 x 1,5	Nut M20 x 1,5
6	1 (2)	BEC072400	Nordlocking M20	Nordlocking M20
7	1 (2)	BEC040240	Motorverbindingset p2	Motorverbindingset p2
8	2 (4)	22205E1	Lager D52 d25 B18	Bearing D52 d25 B18
9	1 (2)	BEC071600	Afstandbus lager	Bearing spacer
10	1 (2)	BEC071700	Lagerhuis	Bearing housing
11	1(2)	BEC040600	Smeernippel M6	Grease nipple
12	1 (2)	BEC072100	Keerring	Seal
13	1 (2)	BEC071300	As	Shaft
14	1 (2)	68856620	Spie	Key
15	4 (8)	127B12	Veerring M12	Spring washer M12
16	4 (8)	93412	Moer M12	Nut M12
17	6 (12)	840VT	Tensilock bout M8 x 40	Tensilock Bolt M8 x 40
18	1 (2)	BEC071900	Messchijf boven	Upper blade mounting disc
19	2 (4)	BEC380020	Bovenmes	Upper blade
20	4 (8)	BEC090400	Mesbus	Bladebushing
21	4 (8)	BEC090500	Mesbout	Knife-bolt
22	1 (2)	BEC072200	Beschermring	Protection ring
23	1 (2)	BEC071200	Alu klos messchijf	Aluminium hub
24	1 (2)	BEC072000	Messchijf onder	Lower blade mounting disc
25	1 (2)	BEC071400	Flensmoer	Flange-nut
26	2 (4)	BEC380010	Ondermes	Lower blade
27	1 (2)	BEC071500	Borgring	Retaining ring
28	1 (2)	7991820	Verz. Inbusbout M8x20	Counters. Socket M8x20
29	1 (2)	BEC072300	Borgplaat	Retaining plate M8
30	2 (4)	125A8	Sluitring M8	Washer M8
31	2 (4)	912835	Inbus M8 x 35	Socket head M8 x 35

Eén HS75HR bevat twee messenkoppen zoals hier afgebeeld.  
One HS75HR contains two cutting units as shown here.