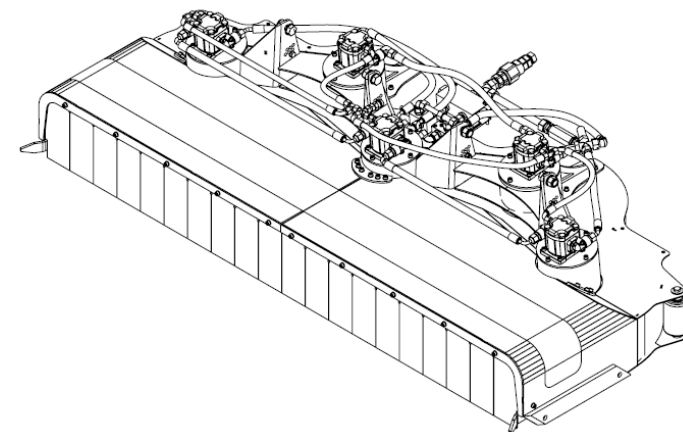


Onderdelenlijst Becx Heggensnoeier HS210HR Parts list Becx Hedgecutter HS210HR

Versie; 02-06-16

Compleet overzicht	Complete overview	blz. 2
Hydraulica	Hydraulics	blz. 3
Frame	Frame	blz. 8
Kap	Body	blz. 10
Messenkop	Cutting unit	blz. 12
Wielen (BEC-MP018)	Wheels (BEC-MP018)	blz. 14



Becx Tuinmachines Moergestel B.V.

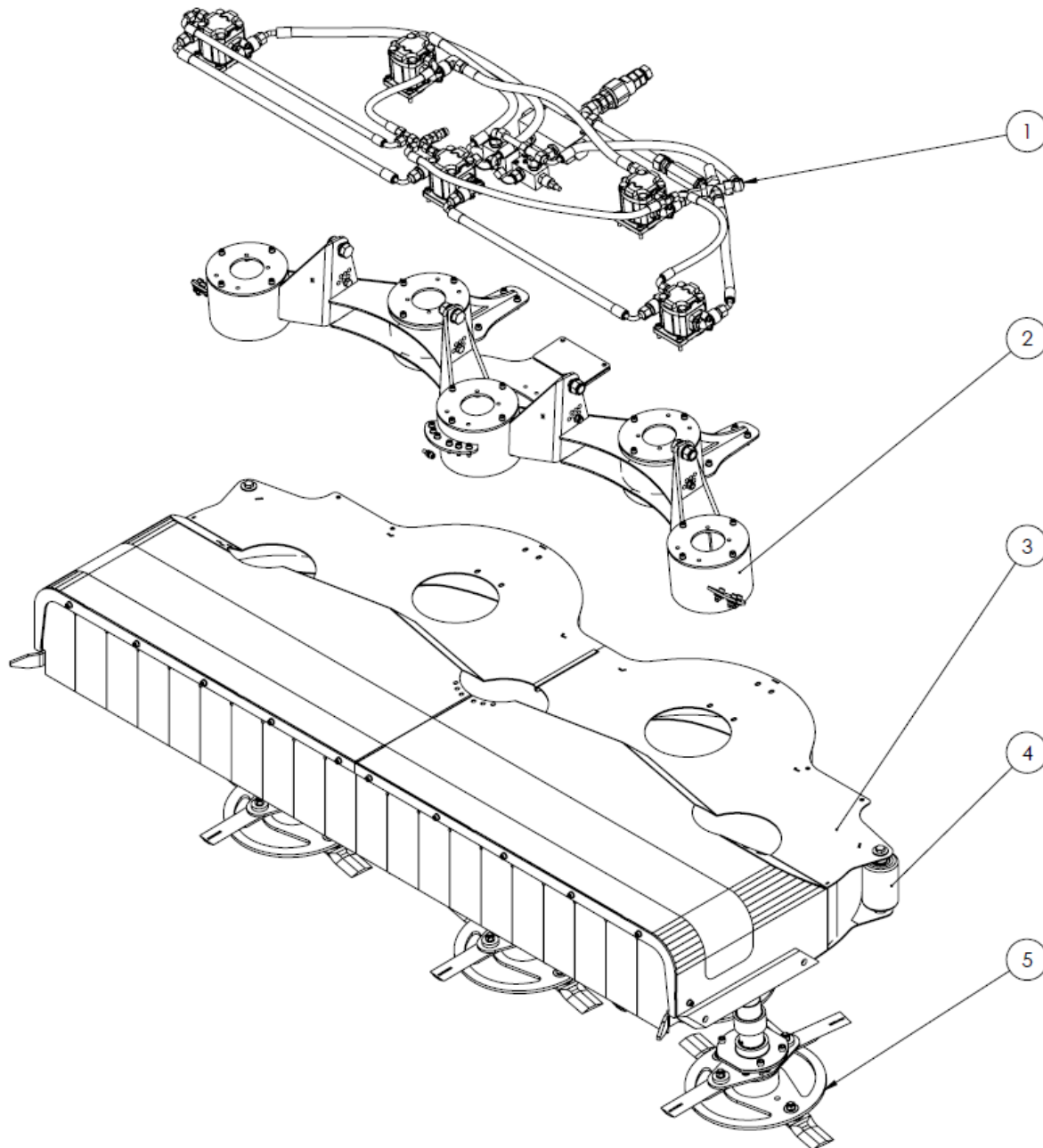
De Sonman 35

5066 GJ Moergestel

+31 (0)13 - 513 1140

moergestel@becxtuinmachines.nl

<http://www.becxmachines.com>

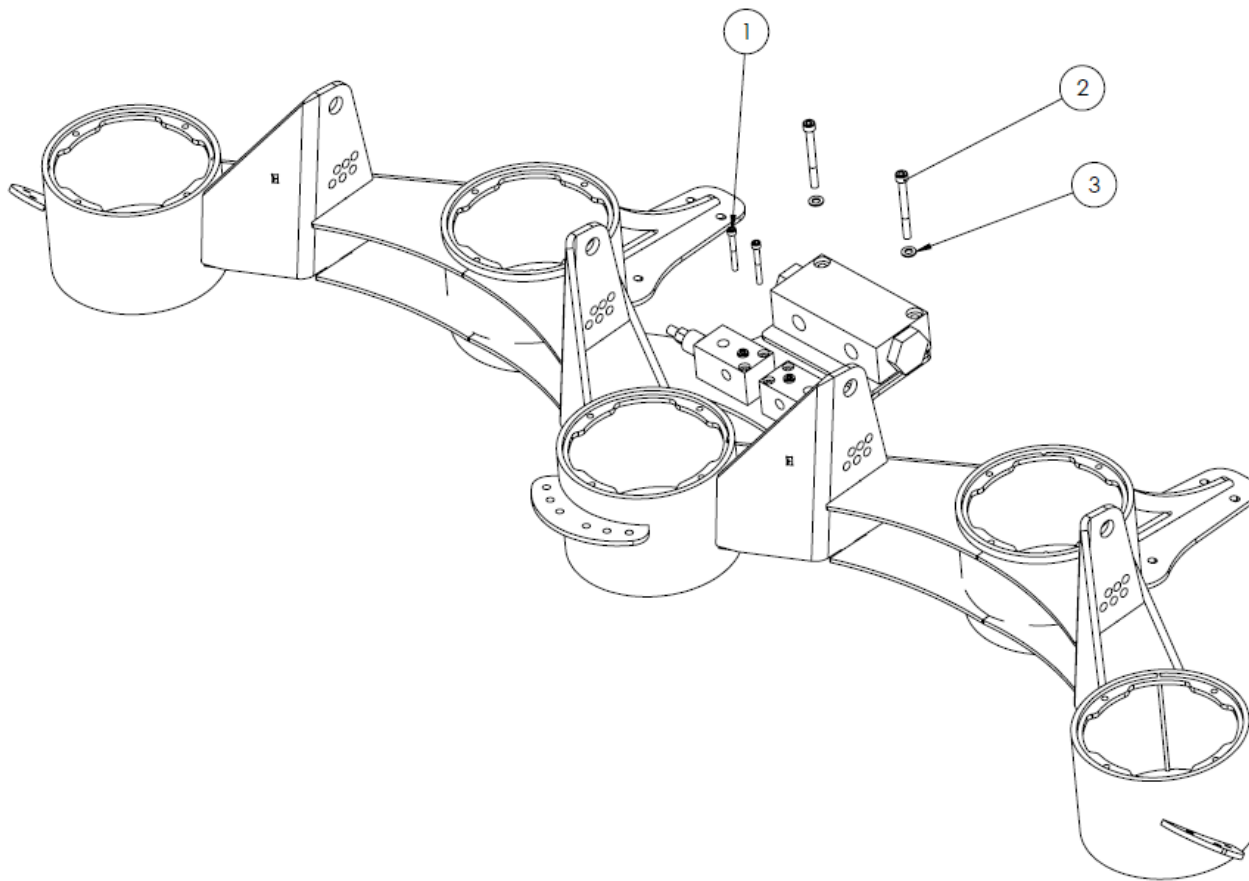


HS210HR | Compleet | Complete

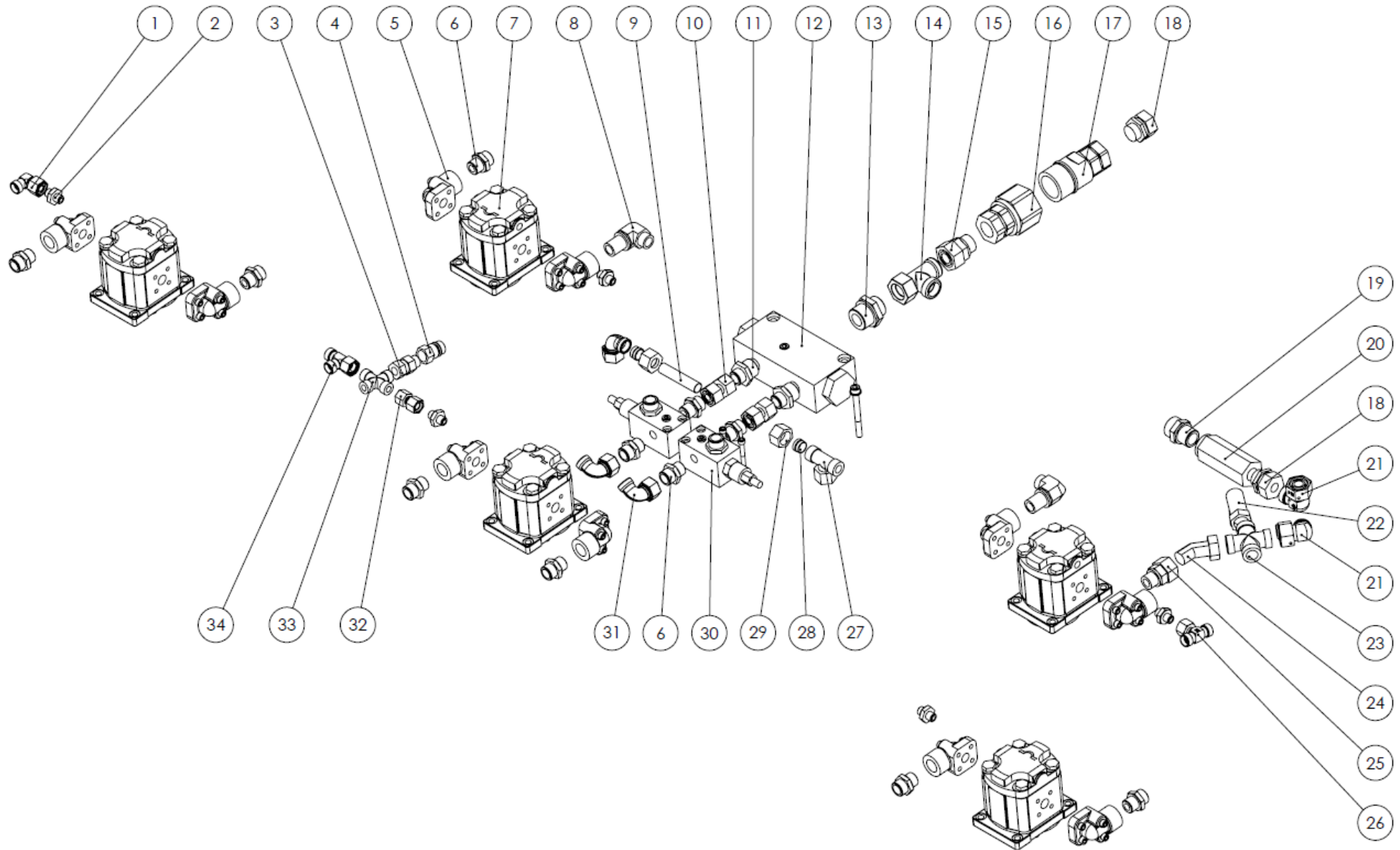
#	Aantal / Number	Artikelcode	Omschrijving	Description
1	1		Hydraulica	Hydraulics
2	1		Frame	Frame
3	1		Beschermkap	Protectioncover
4	5		Messenkoppen	Cutting-units
5	2	BEC-MP018	Optionele geleidingswielen	Optional guide rollers

HS210HR | Hydrauliek | Hydraulics

Bevestigingsmateriaal Hydrauliek			Fasteners of hydraulics	
#	aantal	Artikelcode	Omschrijving	Description
1	2	912880	Inbus M8 x 80	Socket head M8 x 80
2	2	125A8	Sluitring M8	Washer M8
3	2	912650	Inbus M6 x 50	Socket head M6 x 50



HS210HR | Hydrauliek | Hydraulics

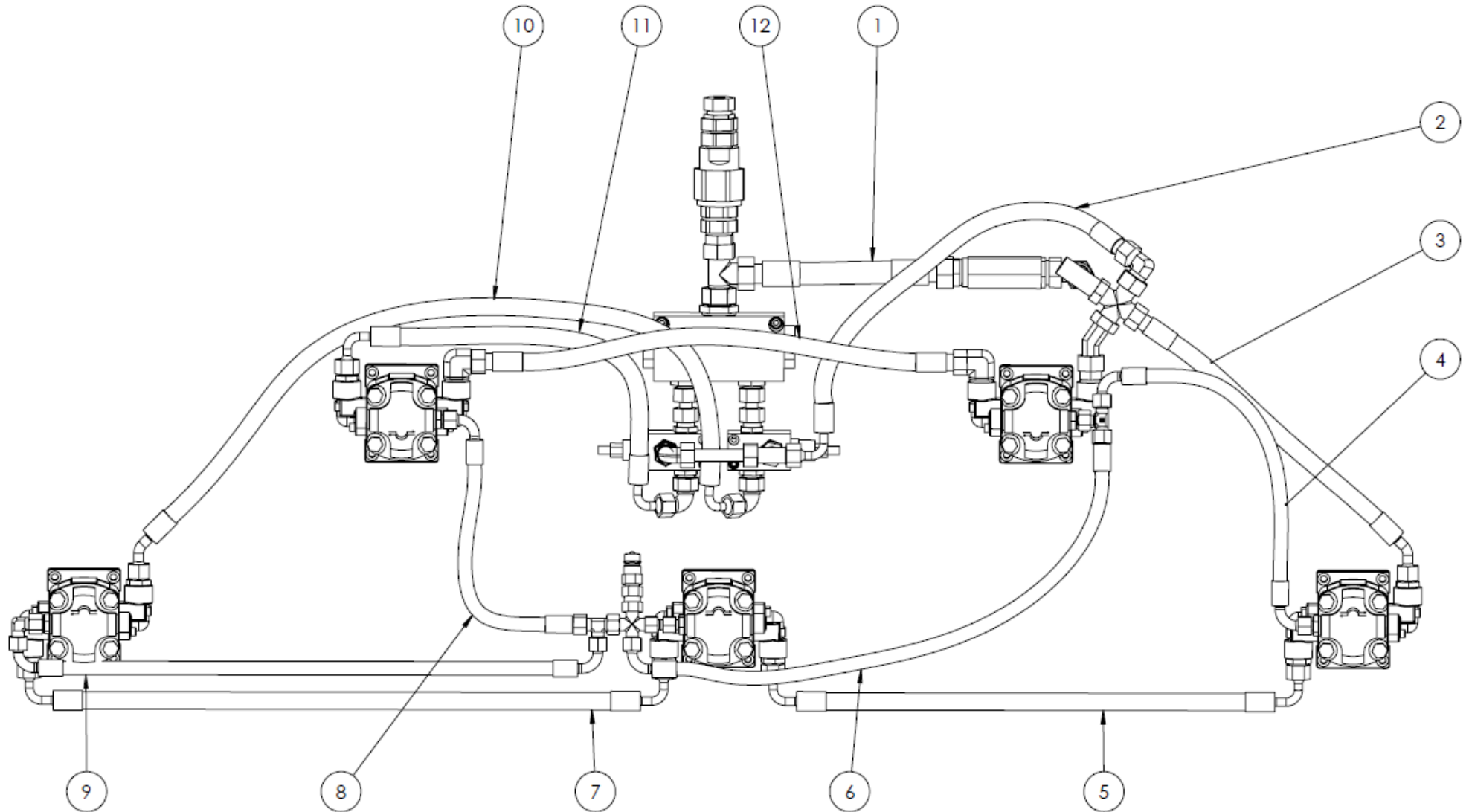


HS210HR | Hydrauliek | Hydraulics

#	aantal	Artikelcode	Omschrijving	Description
1	1	BEC310600	EVW-12L-BO	
2	5	BEC066000	GE-12LM-12-BO	
3	1	BEC012000	EVGE-12LRDE-3/8	
4	1	BEC013100	NV-38GAS-M	
5	10	BEC011101	RR35X12HA	
6	13	BEC012200	GE-15LRDE-1/2-BO	
7	5	BEC011211	0511625617	
8	2	BEC173000	WEE-15LR-1/2-BO	
9	1	BEC066500	NHV-15X1.5	
10	2	BEC405800	GVO-15L-15L	
11	2	BEC083100	GE-15LRDE-3/4	
12	1	BEC065000	MFDT-150-BFAR-95-	
13	1	BEC065400	GE-22LRDE-1-BO	
14	1	BEC065500	EVL-22L-BO	
15	1	BEC065600	EVGE-22LRDE-3/4	
16	1	BEC172000	CVV 16 34GAS F	
17	1	BEC172100	CVV 16 34GAS M	
18	2	BEC081300	EVGE-18LRDE-3/4	

#	aanta	Artikelcode	Omschrijving	Description
19	1	BEC065400	GE-22LRDE-1-BO	
20	1	BEC081100	VU-3/4	
21	2	BEC081400	EVW-18L-BO	
22	1	BEC081900	EVL-18L-BO	
23	1	BEC065200	K-18-L-BO	
24	1	BEC082000	EV-18L-BO	
25	2	BEC082100	EVGE-18LRDE-1/2	
26	1	BEC310500	EVT-12L-BO	
27	1	BEC065700	EVT-15L-BO	
28	2	BEC065800	DPR-15-L	
29	2	BEC065900	M-15-L	
30	2	BEC065100	VMP-1/2-P	
31	3	BEC406100	EVW-15L-BO	
32	1	BEC010500	GVO-12L-12L	
33	1	BEC010400	K-12-L-BO	
34	1	BEC066100	EVL-12L-BO	

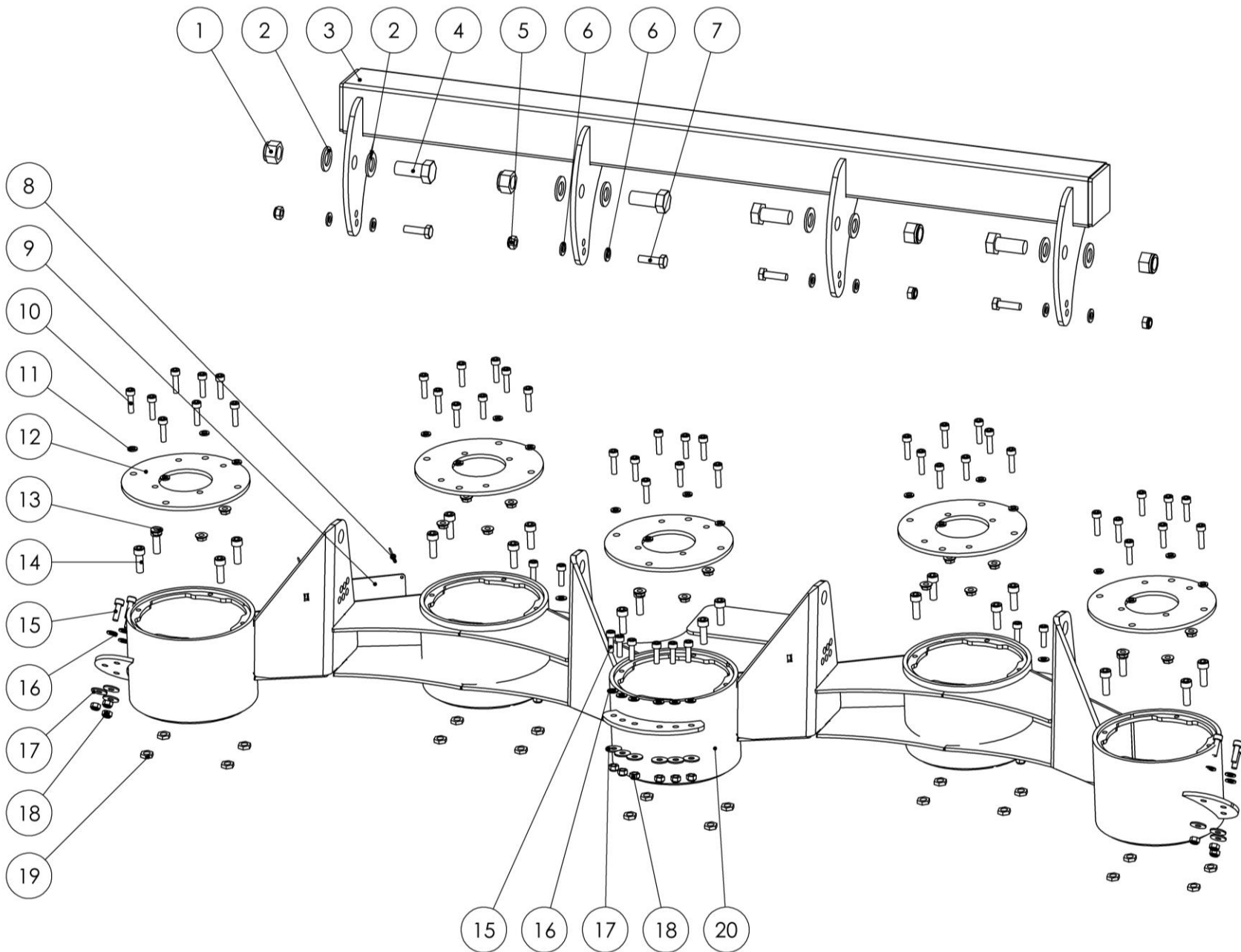
HS210HR | Hydrauliek | Hydraulics



HS210HR | Hydrauliek | Hydraulics

#	aanta	Artikelcode	Omschrijving	Description
1	1	BEC063600	Slang 1	Hose 1
2	1	BEC063800	Slang 3	Hose 3
3	1	BEC063700	Slang 2	Hose 2
4	1	BEC064400	Slang 9	Hose 9
5	1	BEC064300	Slang 8	Hose 8
6	1	BEC064500	Slang 10	Hose 10
7	1	BEC064200	Slang 7	Hose 7
8	1	BEC064600	Slang 11	Hose 11
9	1	BEC064700	Slang 12	Hose 12
10	1	BEC063900	Slang 4	Hose 4
11	1	BEC064000	Slang 5	Hose 5
12	1	BEC064100	Slang 6	Hose 6

HS210HR | Frame | Frame



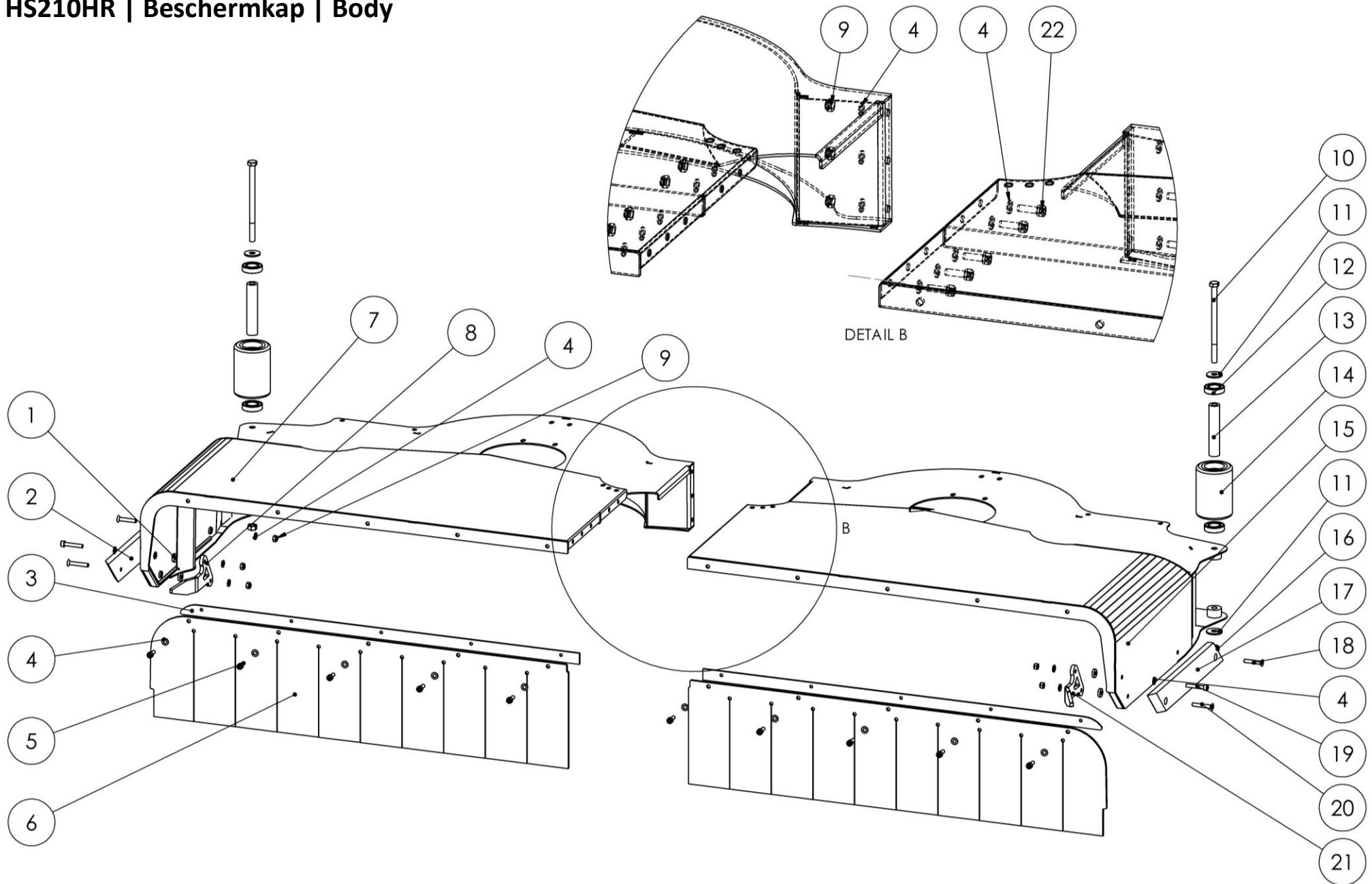
HS210HR | Frame | Frame

#	Aantal / Number	Artikelcode	Omschrijving	Description
1	4	98520	Borgmoer M20	Locknut M20
2	8	125A20	Sluitring M20	Washer M20
3	1	BEC063300	Ophangbeugel HS210HR	Mounting beam
4	4	9332045	Bout M20 x 45	Bolt M20 x 45
5	4	98510	Borgmoer M10	Locknut M10
6	8	125A10	Sluitring M10	Washer M10
7	4	9331035	Bout M10 x 35	Bolt M10 x 35
8	4	BN416	Blindniet 4mm	Rivet 4mm
9	1	BEC000001	Typeplaat	Type plate
10	40	912830	Inbus M8 x 30	Socket M8 x 30
11	20	127B8	Veerring M8	Spring washer M8
12	5	BEC060100	Motor Montageplaat	Motor mounting plate
13	20	8VT	Moer TENSILOCK M8	Nut TENSILOCK M8
14	20	9121030	Inbus M10 x 30	Socket M10 x 30
15	20	912825	Inbus M8 x 25	Socket M8 x 25
16	20	125A8	Sluitring M8	Washer M8
17	20	9021A8	Carrosseriering M8	Washer M8
18	20	9858	Borgmoer M8	Locknut M8
19	20	93410	Moer M10	Nut M10
20	1	BEC063000	Hoofdframe	Main Frame

Los meegeleverd - supplied separately - separat geliefert:

#	Aantal / Number	Artikelcode	Omschrijving	Description
23	1	BEC020600	Sleutel1	Tool1
24	1	BEC020700	Sleutel2	Tool2

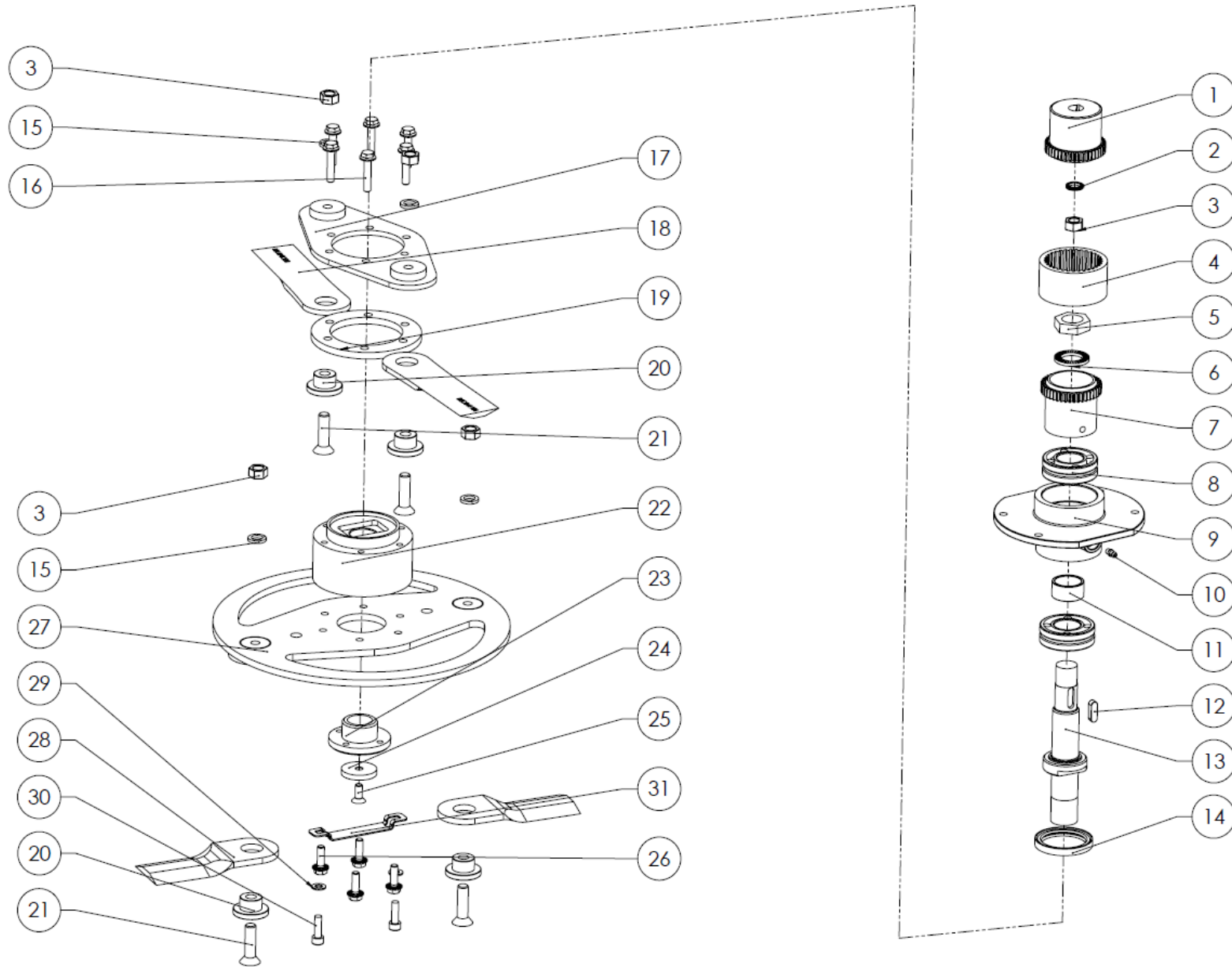
HS210HR | Beschermpap | Body



HS210HR | Beschermkap | Body

#	Aantal / number	Artikelcode	Omschrijving	Description
1	4	BEC406800	Bus	Drum
2	1	BEC401100	Slijtstrip rechts	Anti-wear right
3	2	BEC063500	Lamellenstrip	Fin-mounting-strip
4	34	125A8	Sluitring M8	Washer M8
5	10	912820	Inbus M8 x 20	Socket-head M8 x 20
6	2	BEC063400	Lamellen	Fins
7	1	BEC063200	Kap rechts	Body right
8	1	BEC400700	Lagetakkepin rechts	Low Branches Pin right
9	14	9858	Borgmoer M8	Locknut M8
10	2	93112190	Bout M12 x 190	Bolt M12 x 190
11	4	9021A12	Carrosseriering M12	Washer-body M12
12	4	60052RSGP	Wiellager	Wheel Bearing
13	2	BEC401300	Wielbus	Wheeldrum
14	2	BEC401200	Wiel	Wheel
15	1	BEC063100	Kap links	Body left
16	2	93412	Borgmoer M12	Locknut M12
17	1	BEC400800	Slijtstrip links	Anti-wear left
18	2	7991840	Verz. inbus M8 x 40	Counters. socket M8 x 40
19	2	912845	Inbus M8 x 45	Socket-head M8 x 45
20	2	7991850	Verzonken inbus M8 x 50	Countersunk socket M8 x 50
21	1	BEC400600	Lage takken pin links	Low Branches Pin left
22	3	912825	Inbus M8 x 25	Socket-head M8 x 25
	5	912820	Inbus M8 x 20	Socket-head M8 x 20
	1	BEC231000	Becx sticker	Becx sticker
	2	BEC030800	Sticker 2500 RPM	Sticker 2500 RPM
	1	BEC031500	Sticker handleiding	Sticker read manual
	1	Bec031600	Sticker snijgevaar	Sticker cutting-danger

HS210HR | Messenkop | Cutting unit

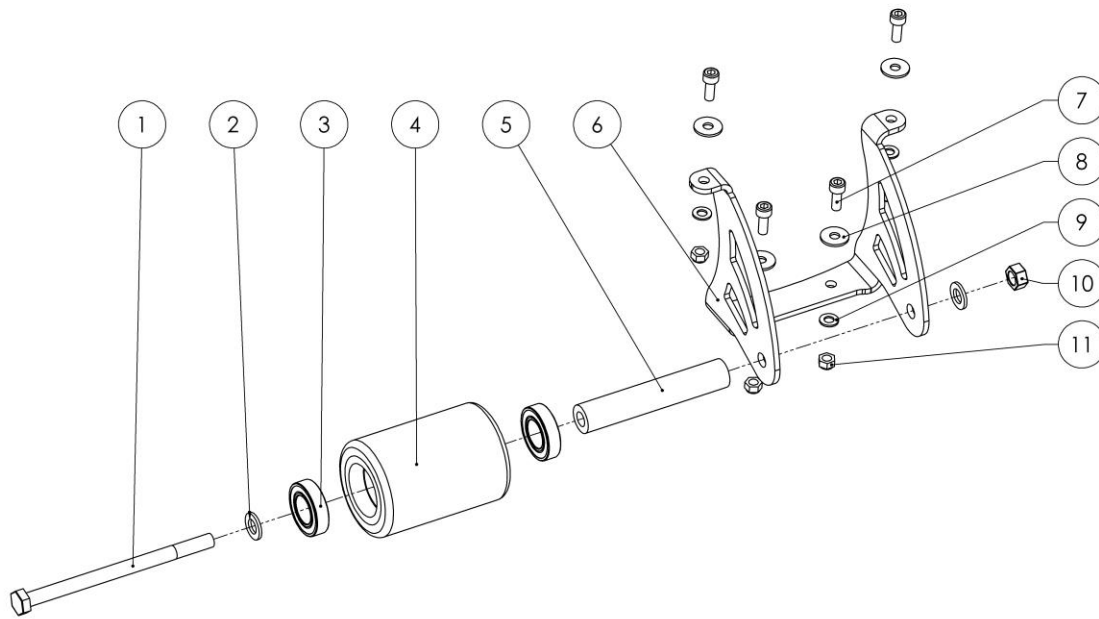


#	Aantal / Number	Artikelcode	Beschrijving	Description
1+4+7	1	BEC040200	Motorverbinding-set	Motor-connection-set
2	1	NL12GEL	Nordlockring M12	Nordlockring M12
3	5	93412	Moer M12	Nut M12
4	1	BEC042300	Kunststof beveiliging	Nylon overload-prot.
5	1	BEC040100	Moer M24 x 1.5	Nut M24 x 1.5
6	1	BEC042100	Nordlockring	Nordlockring
8	2	BEC040300	Becx lager	Becx bearing
9	1	BEC040401	Lagerhuis	Bearing house
10	1	BEC040600	Smeernippel M6	Grease nipple M6
11	1	BEC040500	Afstand bus lager	Bearing spacer
12	1	BEC042200	Spie	Key
13	1	BEC040800	Hoofdas	(Main)Shaft
14	1	BEC041400	Keerring 50658cc	Seal 50658cc
15	4	127B12	Veerring M12	Springer washer M12
16	6	840VT	Tensilock bout M8 x 40	Tensilock Bolt M8 x 40
17	1	BEC390100	Bovenschijf HS131HR	Upper knife mountingdisk HS131HR
18	2	BEC041101	Bovenmes HS131HR	Upper blade HS131HR
19	1	BEC390300	Beschermingsring aluminium klos	Protection ring aluminium hub
20	4	BEC090400	Mesbus HS131HR	Knife ring HS131HR
21	4	BEC090500	Mesbout	Knife-mounting-bolt
22	1	BEC041510	Al. klos Messchijf	Aluminium hub
23	1	BEC041700	Flensmoer	Flange-nut
24	1	BEC041800	Borgring	Retaining ring
25	1	7991820	Verz. inbus M8 x 20	Counters. socket M8 x 20
26	4	825VT	Tensilock bout M8 x 25	Tensilock Bolt M8 x 25
27	1	BEC390200	Onderschijf HS131HR	Lower knife mountingdisk HS131HR
28	2	BEC090200	Ondermes HS131HR	Lower blade HS131HR
29	2	125A8	Sluitring M8	Washer M8
30	2	912825	Inbus M8 x 25	Socket-head M8 x 25
31	1	BEC390700	Borgplaatje	Retaining plate

Eén HS210HR bevat vijf messenkoppen zoals hier afgebeeld.

One HS210HR contains five cutting units as shown here.

HS210HR | Optioneel geleidingswiel | Optional guide rollers | BEC-MP018



#	Aantal / Number	Artikelcode	Beschrijving	Description
1	1	93112180	Bout M12 x 180	Bolt M12 x 180
2	2	125A12	Sluitring M12	Washer M12
3	2	60052RSGP	Wiellager	Wheel-bearing
4	1	BEC401200	Wiellager	Wiel
5	1	BEC401500	Wiel bus 2	Wheeldrum 2
6	1	BEC401400	Wielbeugel	Wheel holder
7	4	912820	Inbus M8 x 20	Socket-head M8 x 20
8	4	9021A8	Carrosseriering M8	Washer-body M8
9	4	125A8	Sluitring M8	Washer M8
10	1	93412	Borgmoer M12	Locknut M12
11	4	9858	Borgmoer M8	Locknut M8

BEC-MP018 bestaat uit twee sets zoals hier afgebeeld.

BEC-MP018 consists of two sets as shown here.