

Onderdelenlijst / Parts list;

Becx Heggensnoeier / Hedge Trimmer HS150HR

Versie; 11-'15

		blz./page
Overzicht compleet	Complete overview	2
Hydraulica	Hydraulics	3
Frame	Frame	4
Beschermkap	Protectioncover	5
Messenkoppen	Cutting-units	6

Becx Tuinmachines Moergestel B.V.

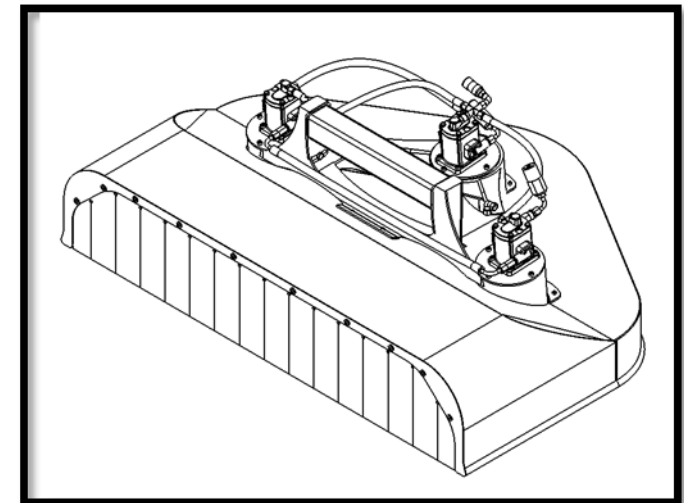
De Sonman 35

5066 GJ Moergestel

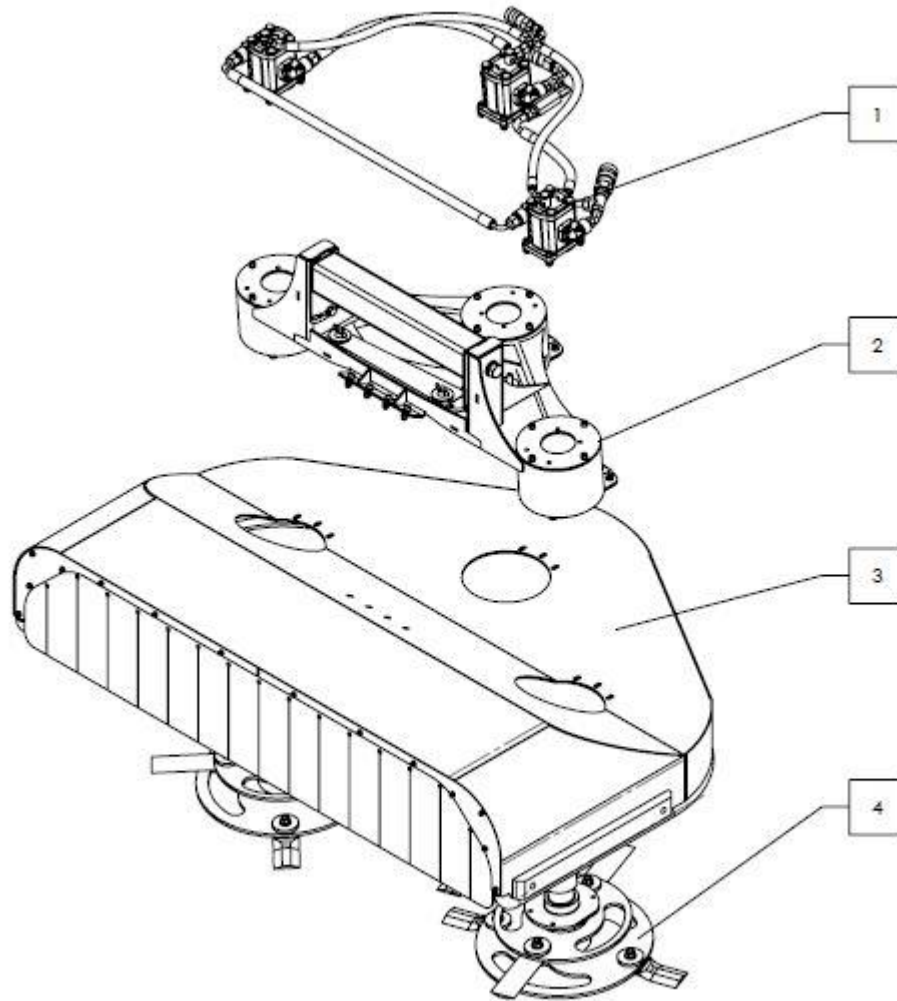
013-513 11 40

moergestel@becxtuinmachines.nl

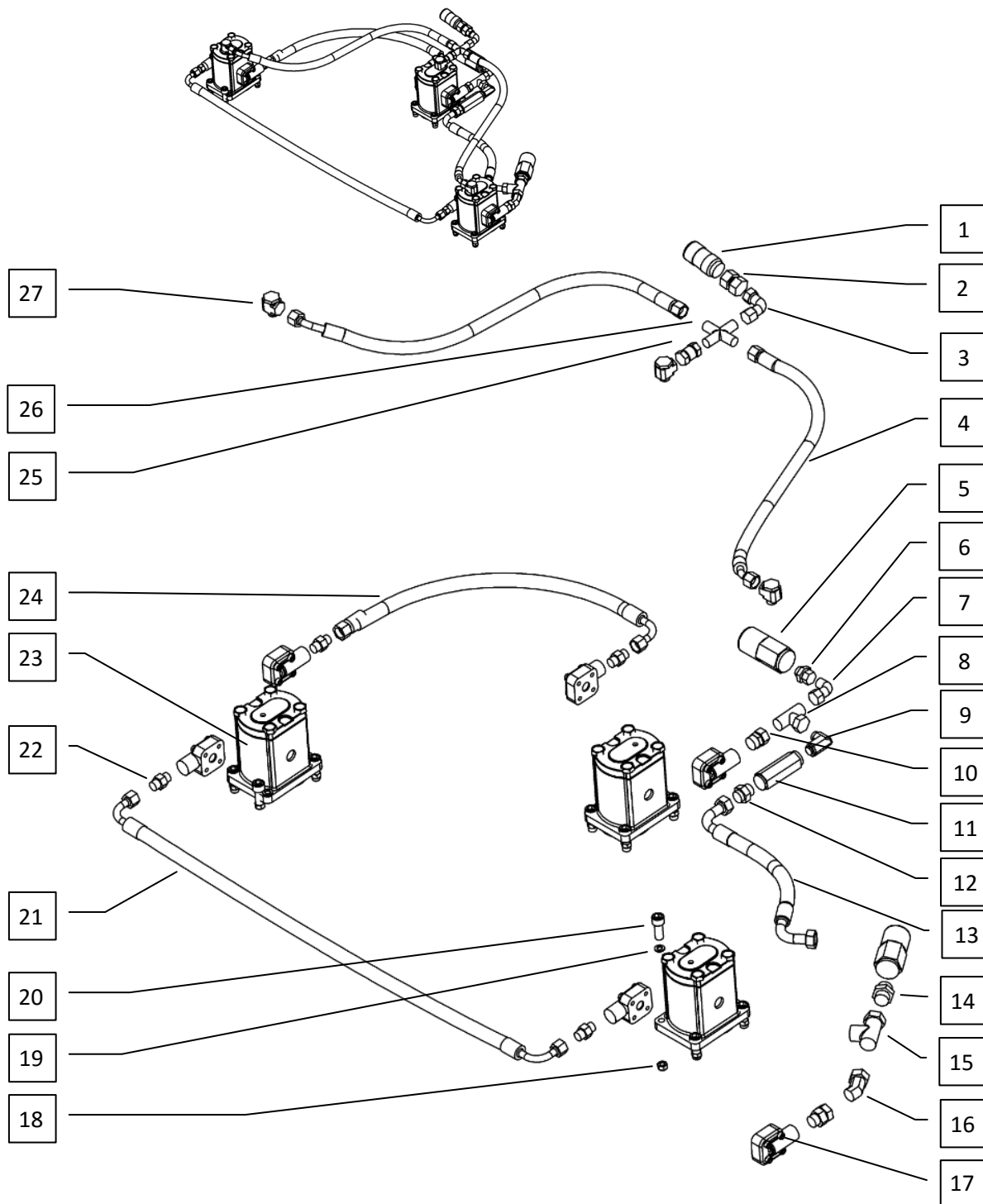
<http://www.becxmachines.com>



HS150HR, compleet/complete



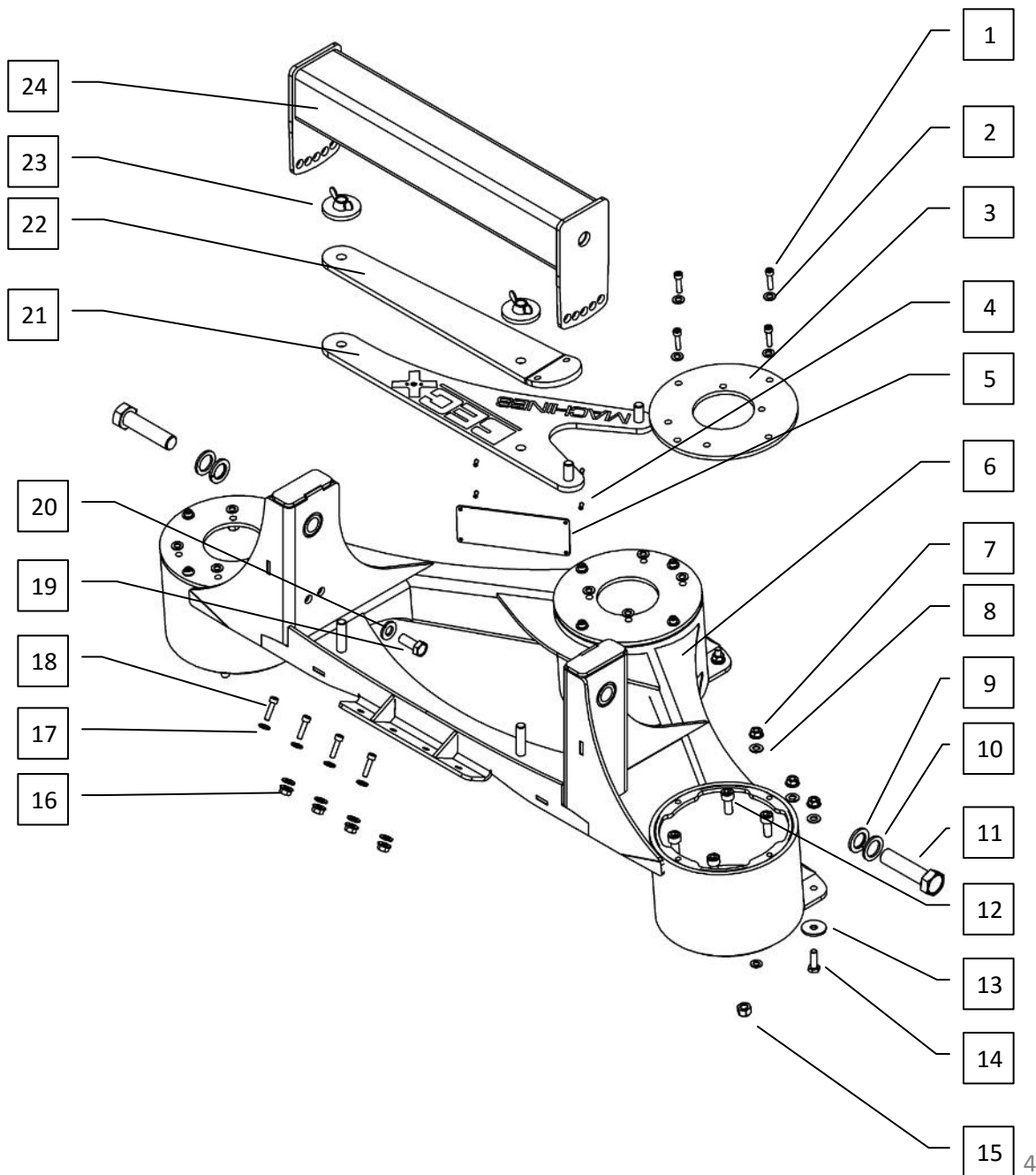
#	Aantal/ number	Artikelcode/code	Omschrijving	Description
1	1		Hydraulica	Hydraulics
2	1		Frame	Frame
3	1		Beschermkap	Protectioncover
4	3		Messenkoppen	Cutting-units



HS150HR, hydraulica/hydraulics

#	Aantal/ number	Artikelcode/code	Omschrijving	Description
1	1	BEC011600	2FFN-38GAS-F	2FFN-38GAS-F
2	1	BEC012000	EVGE-12LRDE-3/8	EVGE-12LRDE-3/8
3	1	BEC011700	EVW-12L-BO	EVW-12L-BO
4	2	BEC080100	2SC-3/8-700-C18-DF-12L-06-C18D45-12L-06	2SC-3/8-700-C18-DF-12L-06-C18D45-12L-06
5	2	BEC011500	2FFI-34GAS-F	2FFI-34GAS-F
6	1	BEC081300	EVGE-18LRDE-3/4	EVGE-18LRDE03/4
7	1	BEC081400	EVW-18L-BO	EVW-18L-BO
8	1	BEC081500	EVT-18L-BO	EVT-18L-BO
9	1	BEC081600	WEE-18LR-1/2-BO	WEE-18LR-1/2-BO
10	2	BEC082100	EVGE-18LRDE-1/2	EVGE-18LRDE-1/2
11	1	BEC011400	VU-1/2	VU-1/2
12	1	BEC081700	GE-18LRDE-1/2-BO	GE-18LRDE-1/2-BO
13	1	BEC080501	2SC-1/2-350-C26-DF-18L-08-CF-081	2SC-1/2-350-C26-DF-18L-08-CF-081
14	1	BEC081800	GE-18LRDE-3/4-BO	GE-18LRDE-3/4-BO
15	1	BEC081900	EVL-18L-BO	EVL-18L-BO
16	1	BEC082000	EV-18L-BO	EV-18L-BO
17	6	BEC011101	RRB35X12HA	RRB35X12HA
18	12	8VT	Moer TENSIOLOCK	Nut TENSIOLOCK M8
19	12	125A8	Sluitring M8	Washer M8
20	12	912830	Inbus M8x30 8.8	Socket M8x30 8.8
21	1	BEC080200	2SC-1/2-900-C22D90-15L-08-C22D90-15L-08	2SC-1/2-900-C22D90-15L-08-C22D90-15L-08
22	4	BEC012200	GE-15LRDE-1/2-BO	GE-15LRDE-1/2-BO
23	3	BEC011212	Hydromotor, 22CC	Hydromotor 22CC
24	1	BEC080300	2SC-1/2-600-C22D90-15L-08- C22-DF-15L-08	2SC-1/2-600-C22D90-15L-08-C22-DF-15L-08
25	1	BEC010500	GVO-12L-12L	GVO-12L-12L
26	1	BEC010400	K-12-L-BO	K-12-L-BO
27	3	BEC011001	SVWE-12L.-M12X1.5	SVWE-12L.-M12X1.5 (CUSTOM THREAD)

Onderdelenlijst Becx Heggensnoeier HS150HR; 11-'15



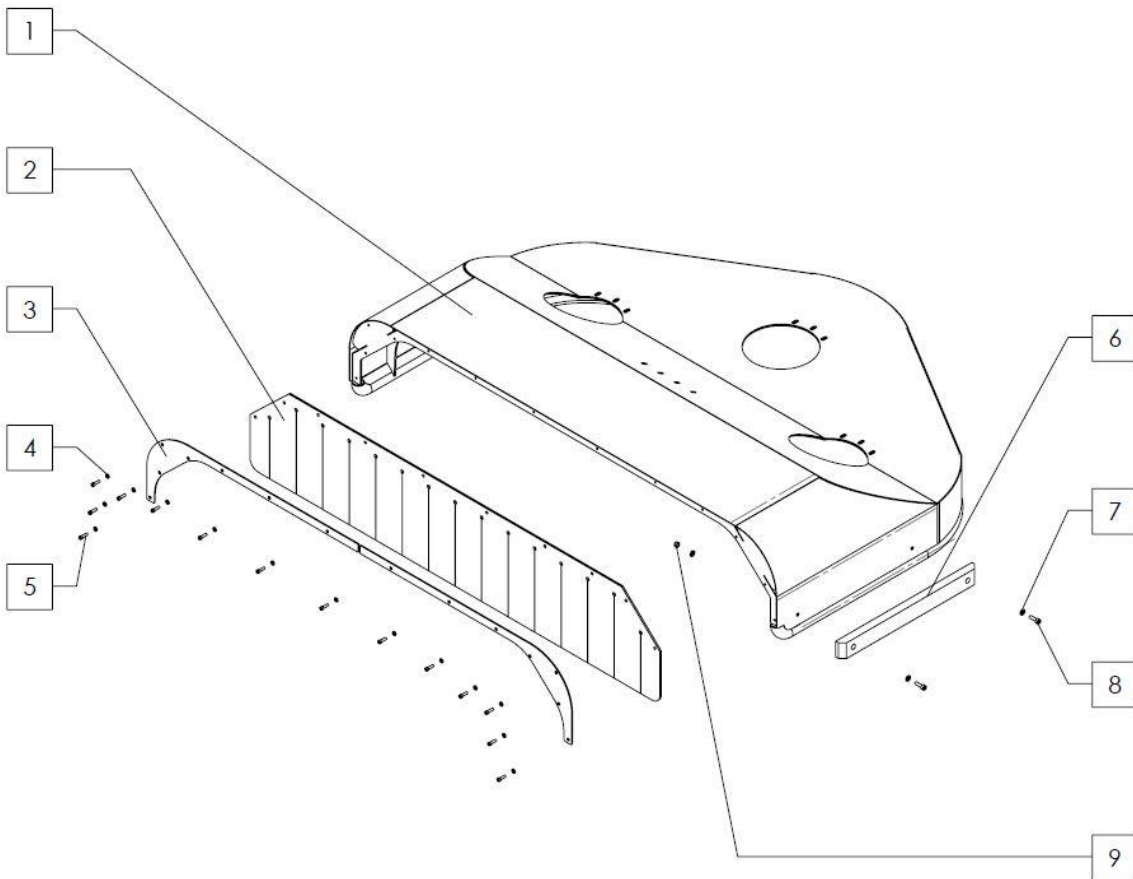
HS150HR, frame

#	Aantal/ number	Artikelcode/code	Omschrijving	Description
1	12	912825	Inbus M8x25 8.8	Socket M8x25 8.8
2	12	127B8	Veerring M8	Spring washer M8
3	3	BEC060100	Motormontageplaat	Motormountingplate
4	4	BN410	Blindniet 4mm	Rivet 4mm
5	1	BEC060200	Typeplaat	Type plate
6	1	BEC060300	Frame	Frame
7	9	9858	Borgmoer M8	Locknut M8
8	13	125A8	Sluitring M8	Washer M8
9	2	125A20	Sluitring M20	Washer M20
10	2	127B20	Veerring M20	Springer Washer M20
11	2	93120100	Bout M20x100 8.8	Bolt M20x100 8.8
12	12	9121030	Bout M10x30 8.8 (voor messenkop#8)	Bolt M10x30 8.8 (for cutting unit#8)
13	13	9021A8	Carr ring M8	Body ring M8
14	9	933825	Bout M8x25 8.8	Bolt M8x25 8.8
15	12	93410	Moer M10 (voor messenkop#8)	Nut M10 (for cutting unit#8)
16	4	9858	Borgmoer M8	Locknut M8
17	4	125A8	Sluitring M8	Washer M8
18	4	912825	Inbus M8x25 8.8	Socket M8x25 8.8
19	2	9331240	Bout M12x40 8.8	Bolt M12x40 8.8
20	2	125A12	Sluitring M12	Washer M12
21	1	BEC060400	Sleutel1	Tool1
22	1	BEC060500	Sleutel2	Tool2
23	2	BEC060600	Sleutel3	Tool3
24	1	BEC060700	Ophangkoker	Mounting beam

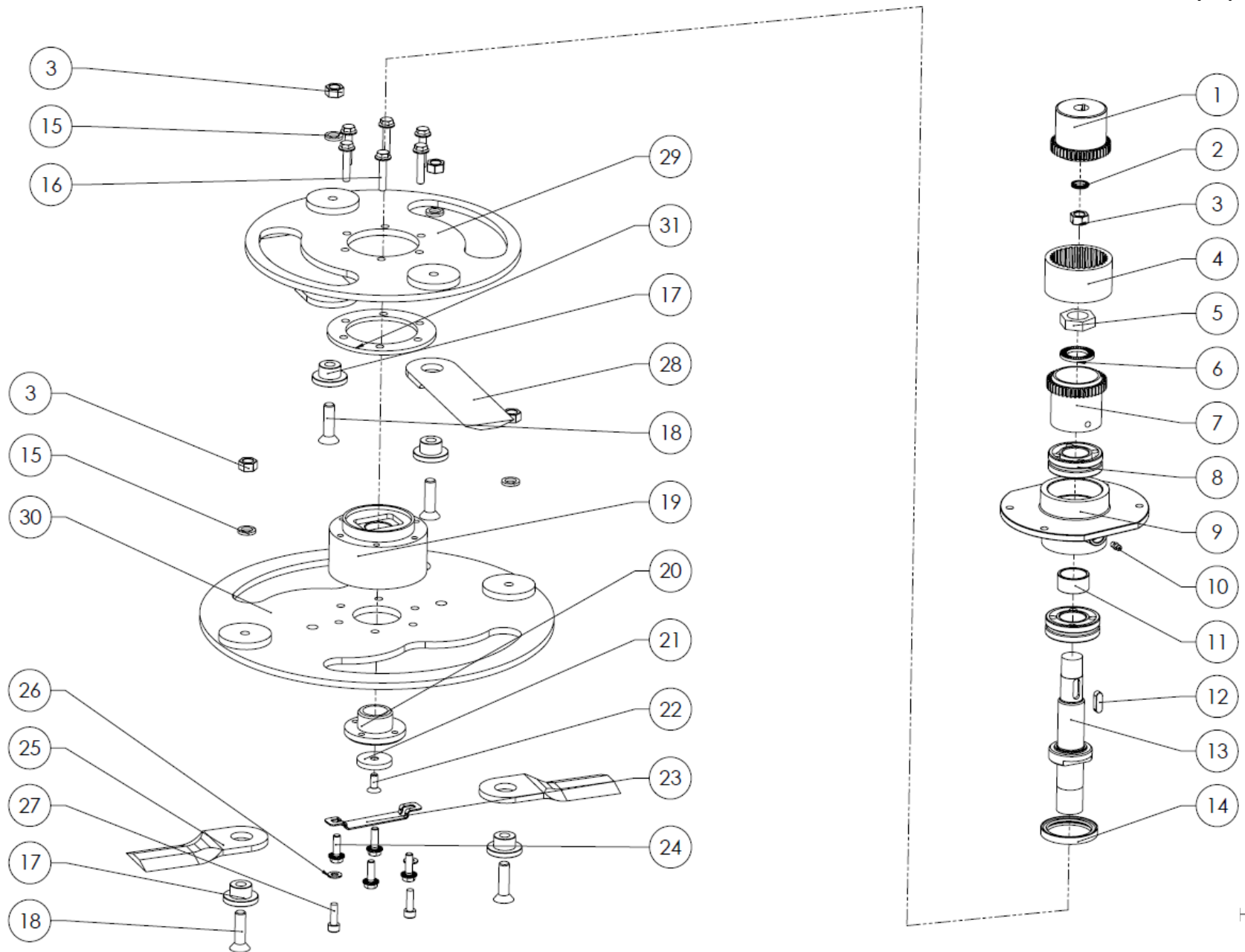
Onderdelenlijst Becx Heggensnoeier HS150HR; 11-'15

HS150HR, beschermkap/protection cover

#	Aantal/ number	Artikelcode/code	Omschrijving	Description
1	1	BEC070100	Beschermkap	Safety-Body
2	1	BEC070300	Lamellen	Fins
3	2	BEC070200	Strip lamellen	Fin-mounting-strip
4	14	912620	Bout M6x20 8.8	Bolt M6x20 8.8
5	14	125A6	Sluitring M6	Washer M6
6	1	BEC070400	Slijtblok	Anti-wear
7	2	912825	Inbus M8x25 8.8	Socket M8x25 8.8
8	4	125A8	Sluitring M8	Washer M8
9	2	9858	Moer M8	Nut M8



HS150HR, Messenkop | Cutting unit



HS150HR; 11-'15

#	Aantal / Number	Artikelcode	Beschrijving	Description
1+4+7	1	BEC040200	Motorverbinding-set	Motor-connection-set
2	1	NL12GEL	Nordlockring M12	Nordlockring M12
3	5	93412	Moer M12	Nut M12
4	1	BEC042300	Kunststof beveiliging	Nylon overload-prot.
5	1	BEC040100	Moer M24	Nut M24
6	1	BEC042100	Nordlockring	Nordlockring
8	2	BEC040300	Becx lager	Becx bearing
9	1	BEC040401	Lagerhuis	Bearing house
10	1	BEC040600	Smeernippel M6	Grease nipple M6
11	1	BEC040500	Afstand bus lager	Bearing spacer
12	1	BEC042200	Spie	Key
13	1	BEC040800	Hoofdas	(Main)Shaft
14	1	BEC041400	Keerring 50658cc	Seal 50658cc
15	4	127B12	Veerring M12	Springer washer M12
16	6	840VT	Tensilock bout M8 x 40	Tensilock Bolt M8 x 40
17	4	BEC090400	Mesbus HS150HR	Knife ring HS150HR
18	4	BEC090500	Mesbout	Knife-mounting-bolt
19	1	BEC041510	Al. klos Messchijf	Aluminium hub
20	1	BEC041700	Flensmoer	Flange-nut
21	1	BEC041800	Borgring	Retaining ring
22	1	7991820	Verz. inbus M8 x 20	Counters. socket M8 x 20
23	1	BEC390700	Borgplaatje	Retaining plate
24	4	825VT	Tensilock bout M8 x 25	Tensilock Bolt M8 x 25
25	2	BEC090200	Ondermes HS150HR	Lower blade HS150HR
26	2	125A8	Sluitring M8	Washer M8
27	2	912825	Inbus M8 x 25	Socket-head M8 x 25
28	2	BEC090100	Bovenmes HS150HR	Upper blade HS150HR
29	1	BEC390400	Bovenshijf HS150HR	Upper knife mountingdisk HS150HR
30	1	BEC390500	Ondershijf HS150HR	Lower knife mountingdisk HS150HR
31	1	BEC390600	Beschermingsring aluminium klos	Protection ring aluminium hub
	2	912825	Inbus M8 x 25	Socket-head M8 x 25

Eén HS150HR bevat drie messenkoppen zoals hier afgebeeld.

One HS150HR contains three cutting units as shown here.