

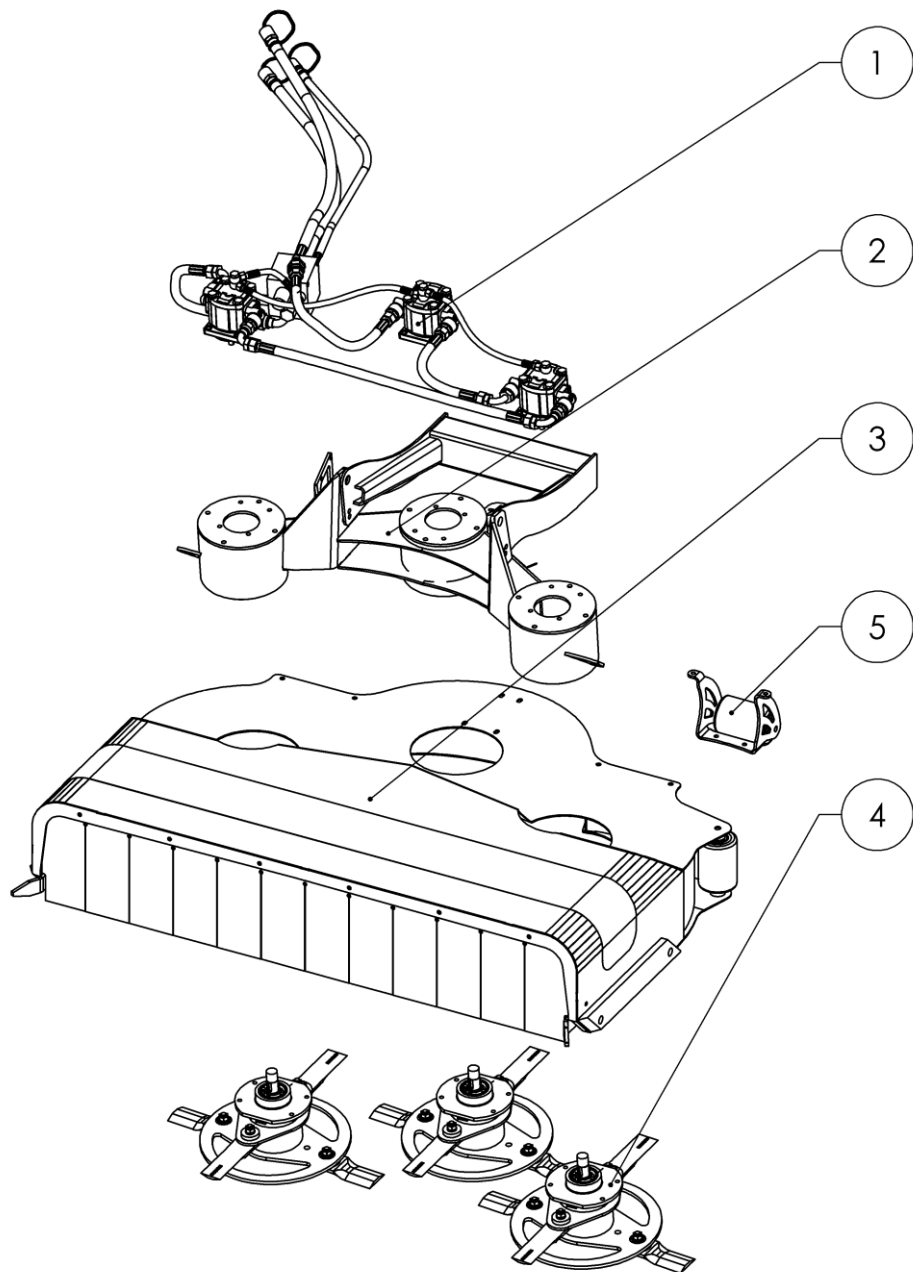
Onderdelenlijst Becx Heggensnoeier HS131HR

Versie; 16-12-15

Compleet overzicht	Complete overview	blz. 2
Hydraulica	Hydraulics	blz. 3
Frame	Frame	blz. 4
Kap	Body	blz. 5
Messenkop	Cutting unit	blz. 6
Wielen (BEC-MP018)	Wheels (BEC-MP018)	blz. 7

Becx Tuinmachines Moergestel B.V.
De Sonman 35
5066 GJ Moergestel
+31 (0)13 - 513 1140
moergestel@becxtuinmachines.nl
<http://www.becxmachines.com>

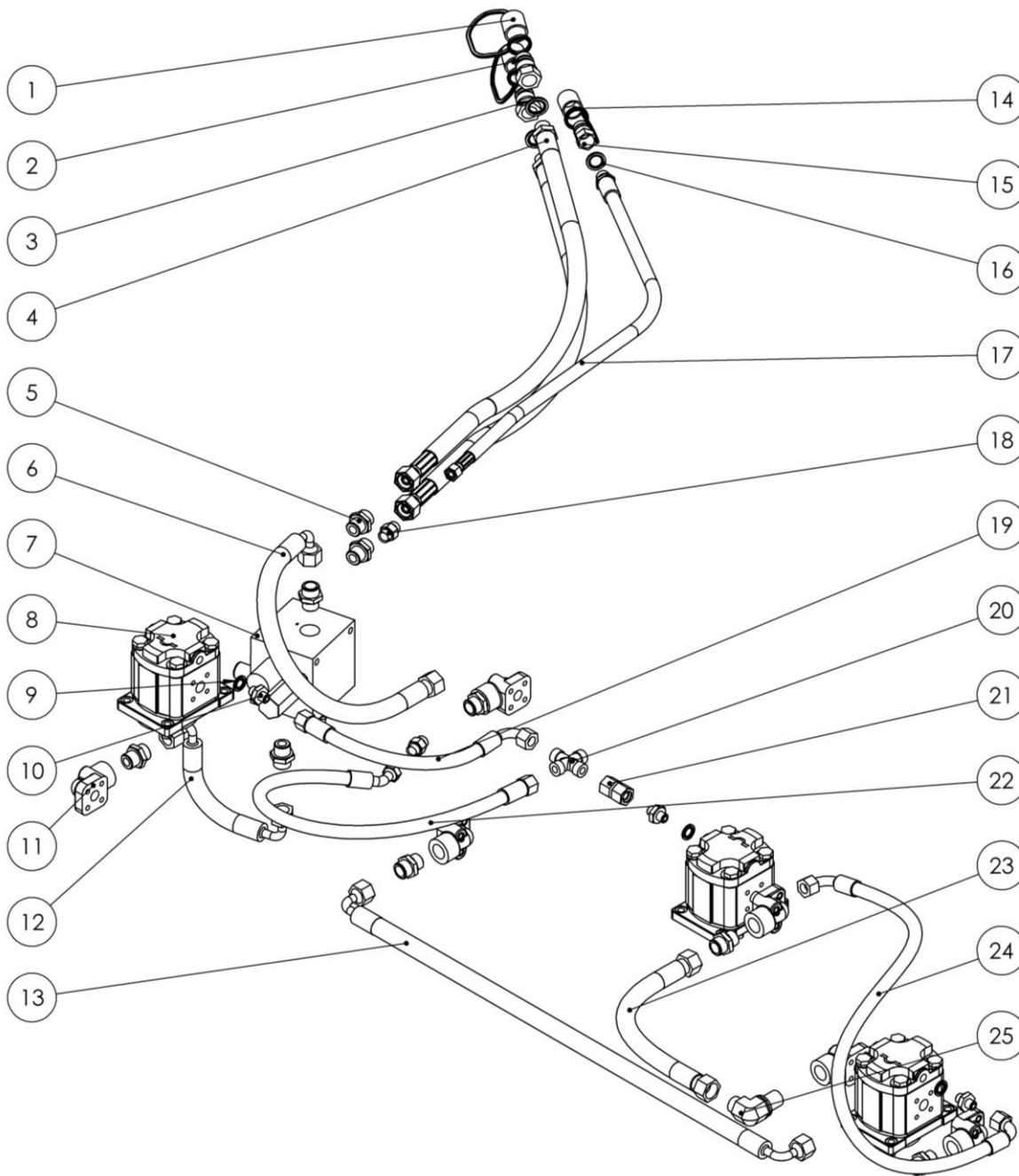




HS131HR | Compleet | Complete

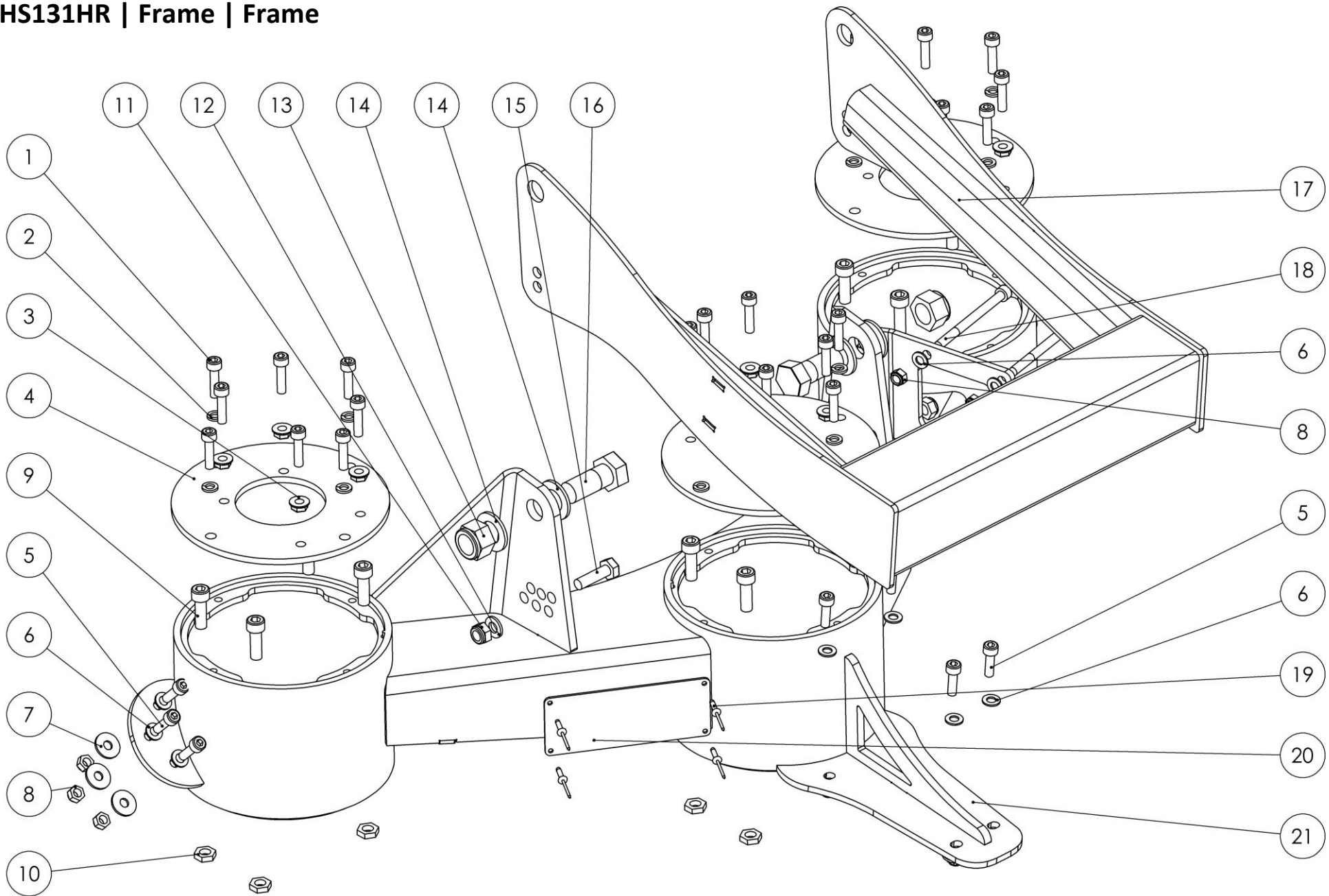
#	Aantal / Number	Artikelcode	Omschrijving	Description
1	1		Hydraulica	Hydraulics
2	1		Frame	Frame
3	1		Beschermkap	Protectioncover
4	3		Messenkoppen	Cutting-units
5	2	BEC-MP018	Optionele geleidingswielen	Optional guide rollers

HS131HR | Hydrauliek | Hydraulics



#	aantal	Artikelcode	Omschrijving	Description
1	2	BEC013300	TF-1-2 BLAUW	TF-1-2 BLAUW
2	2	BEC013000	NV-12GAS-M	NV-12GAS-M
3	2	BEC170800	1071-1-2	1071-1-2
4	2	BEC015300	Pers- / retourslang	Pressure- / drainhose
5	9	BEC012200	GE-15LRDE-1-2-BO	GE-15LRDE-1-2-BO
6	1	BEC015600	Slang 1	Hose 1
7	1	BEC500100	Manifold	Manifold
8	3	BEC011211	Hydromotor 16cc	Hydromotor 16cc
9	3	BEC172400	1071-M12	1071-M12
10	3	BEC172600	GE-12LMDE-12-BO	GE-12LMDE-12-BO
11	6	BEC011101	RR35X12HA	RR35X12HA
12	1	BEC015400	Slang 2	Hose 2
13	1	BEC015100	Slang 3	Hose 3
14	1	BEC013400	TF-38 BLAUW	TF-38 BLAUW
15	1	BEC013100	NV-38GAS-M	NV-38GAS-M
16	1	BEC170700	1071-3-8	1071-3-8
17	1	BEC014600	Lekleiding 4	Leakline 4
18	2	BEC172900	GE-12LRDE-3/8-BO	GE-12LRDE-3/8-BO
19	1	BEC014400	Lekleiding 1	Leakline 1
20	1	BEC010400	K-12-L-BO	K-12-L-BO
21	1	BEC010500	GVO-12L-12L	GVO-12L-12L
22	1	BEC014500	Lekleiding 2	Leakline 2
23	1	BEC015200	Slang 4	Hose 4
24	1	BEC014300	Lekleiding 3	Leakline 3
25	1	BEC173000	WEE-15LR-1-2-BO	WEE-15LR-1-2-BO

HS131HR | Frame | Frame



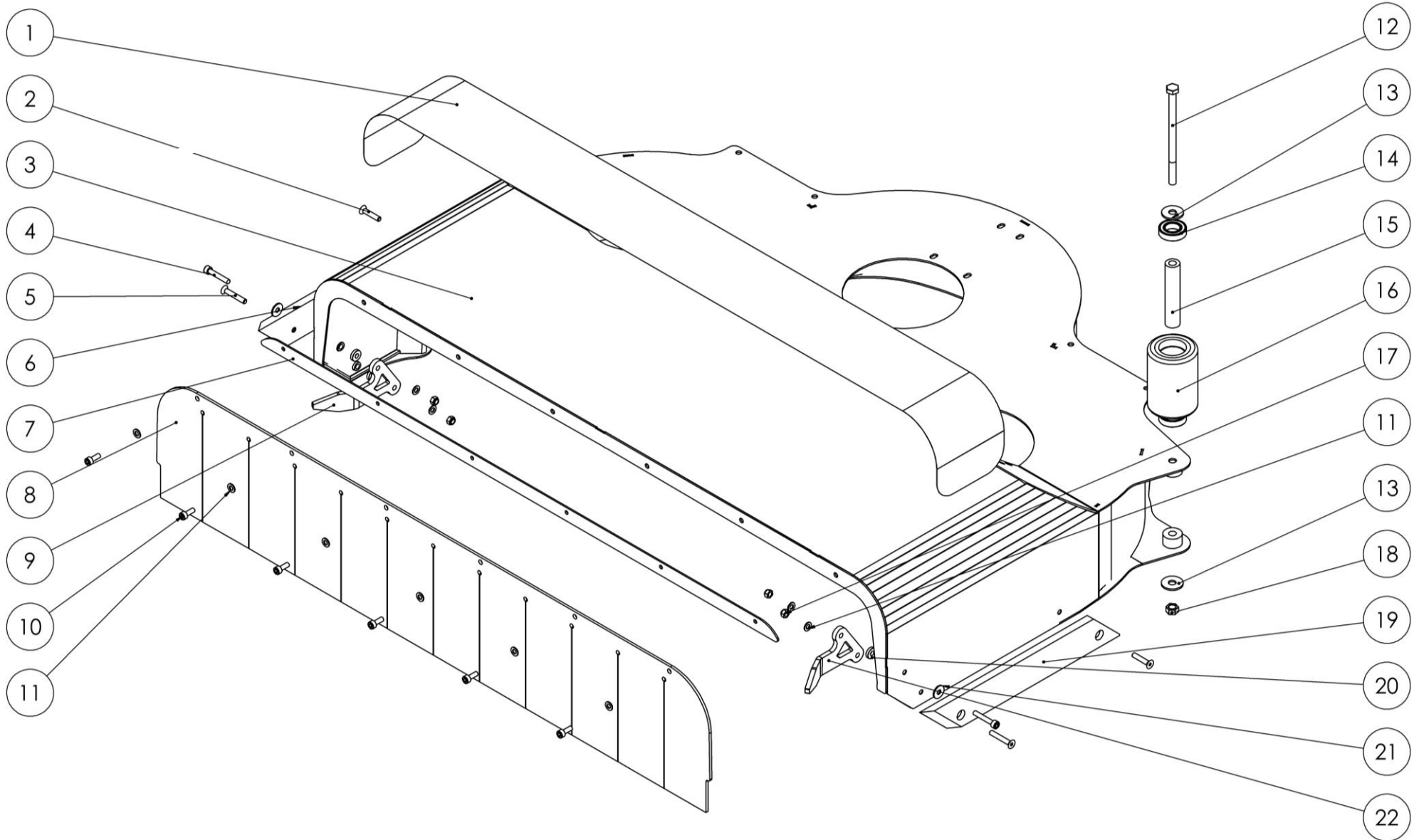
HS131HR | Frame | Frame

#	Aantal / Number	Artikelcode	Omschrijving	Description
1	24	912830	Inbus M8 x 30	Socket M8 x 30
2	12	127B8	Veerring M8	Spring washer M8
3	12	8VT	Moer TENSIOCK M8	Nut TENSIOCK M8
4	3	BEC060100	Motor montageplaat	Motor mounting plate
5	10	912825	Inbus M8 x 16	Socket M8 x 16
6	12	125A8	Sluitring M8	Washer M8
7	10	9021A8	Carrosseriering M8	Washer M8
8	12	9858	Borgmoer M8	Locknut M8
9	12	9121030	Inbus M10 x 30	Socket M10 x 30
10	12	93410	Moer M10	Nut M10
11	2	98510	Borgmoer M10	Locknut M10
12	4	125A10	Sluitring M10	Washer M10
13	2	98520	Borgmoer M20	Locknut M20
14	4	125A20	Sluitring M20	Washer M20
15	2	9331035	Bout M10 x 35	Bolt M10 x 35
16	2	9332045	Bout M20 x 45	Bolt M20 x 45
17	1	BEC400400	Montagebeugel	Mounting Beam
18	2	9128100	Inbus M8 x 100	Socket M8 x 100
19	4	BN410	Blindniet 4mm	Rivet 4mm
20	1	BEC000001	Typeplaat	Type plate
21	1	BEC400200	Hoofdframe	Main frame

Los meegeleverd - supplied separately - separat geliefert:

#	Aantal / Number	Artikelcode	Omschrijving	Description
23	1	BEC020600	Sleutel1	Tool1
24	1	BEC020700	Sleutel2	Tool2

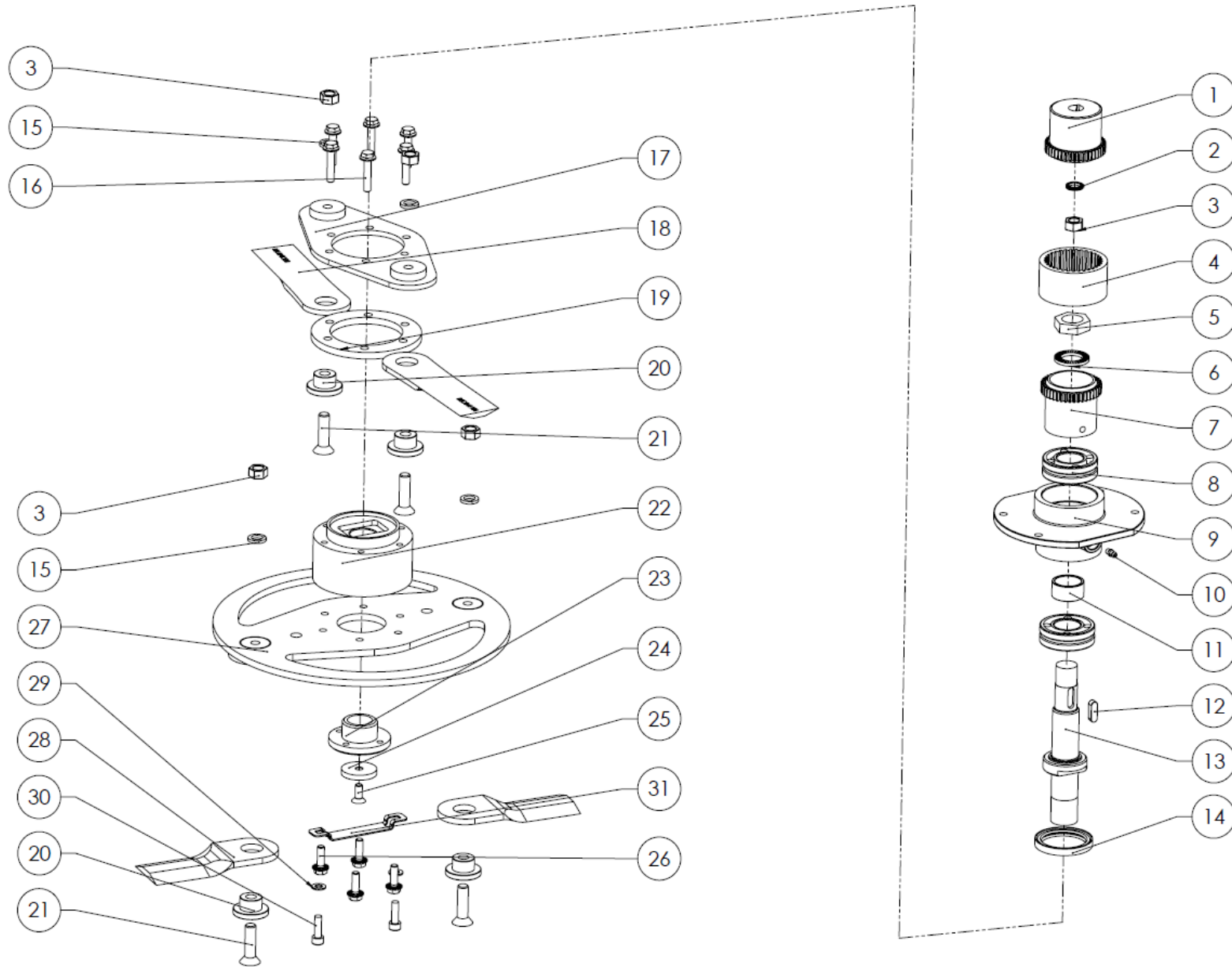
HS131HR | Beschermkap | Body



HS131HR | Beschermkap | Body

#	Aantal / number	Artikelcode	Omschrijving	Description
1	1	BEC231000	Becx sticker	Becx sticker
2	2	7991840	Verz. inbus M8 x 40	Counters. socket M8 x 40
3	1	BEC400300	Kap	Safety-Body
4	2	912845	Inbus M8 x 45	Socket-head M8 x 45
5	2	7991850	Verzonken inbus M8 x 50	Countersunk socket M8 x 50
6	1	BEC401100	Slijtstrip rechts	Anti-wear right
7	1	BEC401000	Lamellenstrip	Fin-mounting-strip
8	1	BEC400900	Lamellen	Fins
9	1	BEC400700	Lage takken pin rechts	Low Branches Pin right
10	6	912820	Inbus M8 x 20	Socket-head M8 x 20
11	12	125A8	Sluitring M8	Washer M8
12	1	93112190	Bout M12 x 190	Bolt M12 x 190
13	2	9021A12	Carrosseriering M12	Washer-body M12
14	2	60052RSGP	Wielager	Wheel Bearing
15	1	BEC401300	Wielbus	Wheeldrum
16	1	BEC401200	Wiel	Wheel
17	6	9858	Borgmoer M8	Lockut M8
18	1	93412	Borgmoer M12	Locknut M12
19	1	BEC400800	Slijtstrip links	Anti-wear left
20	4	BEC406800	Bus	Drum
21	2	9021A8	Carrosseriering M8	Washer-body M8
22	1	BEC400600	Lage takken pin links	Low Branches Pin left

HS131HR | Messenkop | Cutting unit

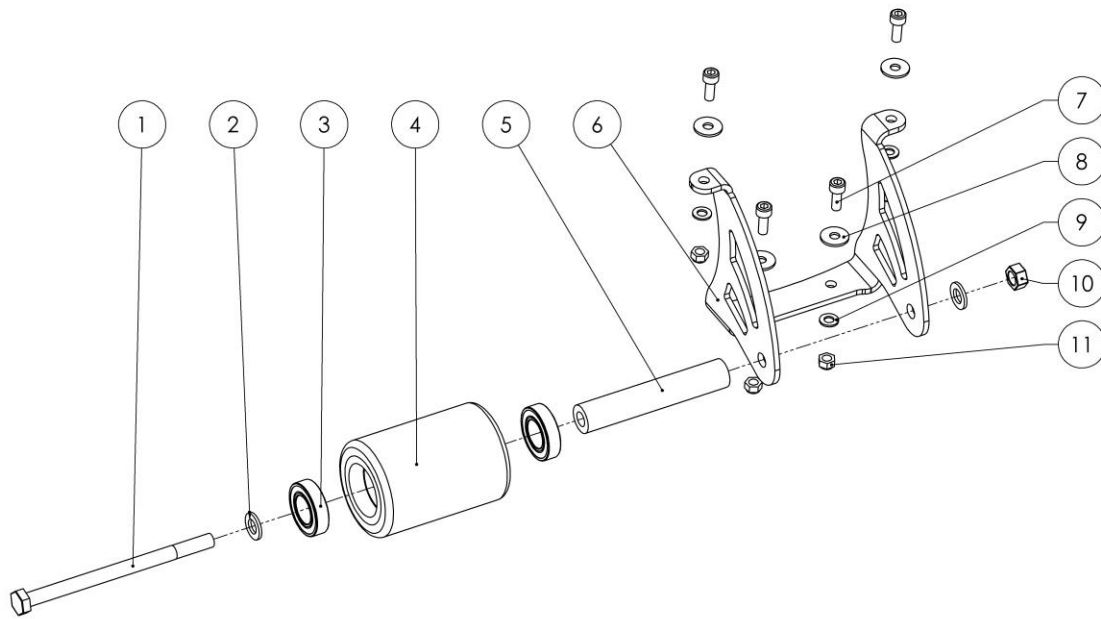


#	Aantal / Number	Artikelcode	Beschrijving	Description
1+4+7	1	BEC040200	Motorverbinding-set	Motor-connection-set
2	1	NL12GEL	Nordlockring M12	Nordlockring M12
3	5	93412	Moer M12	Nut M12
4	1	BEC042300	Kunststof beveiliging	Nylon overload-prot.
5	1	BEC040100	Moer M24 x 1.5	Nut M24 x 1.5
6	1	BEC042100	Nordlockring	Nordlockring
8	2	BEC040300	Becx lager	Becx bearing
9	1	BEC040401	Lagerhuis	Bearing house
10	1	BEC040600	Smeernippel M6	Grease nipple M6
11	1	BEC040500	Afstand bus lager	Bearing spacer
12	1	BEC042200	Spie	Key
13	1	BEC040800	Hoofdas	(Main)Shaft
14	1	BEC041400	Keerring 50658cc	Seal 50658cc
15	4	127B12	Veerring M12	Springer washer M12
16	6	840VT	Tensilock bout M8 x 40	Tensilock Bolt M8 x 40
17	1	BEC390100	Bovenschijf HS131HR	Upper knife mountingdisk HS131HR
18	2	BEC041101	Bovenmes HS131HR	Upper blade HS131HR
19	1	BEC390300	Beschermingsring aluminium klos	Protection ring aluminium hub
20	4	BEC090400	Mesbus HS131HR	Knife ring HS131HR
21	4	BEC090500	Mesbout	Knife-mounting-bolt
22	1	BEC041510	Al. klos Messchijf	Aluminium hub
23	1	BEC041700	Flensmoer	Flange-nut
24	1	BEC041800	Borgring	Retaining ring
25	1	7991820	Verz. inbus M8 x 20	Counters. socket M8 x 20
26	4	825VT	Tensilock bout M8 x 25	Tensilock Bolt M8 x 25
27	1	BEC390200	Onderschijf HS131HR	Lower knife mountingdisk HS131HR
28	2	BEC090200	Ondermes HS131HR	Lower blade HS131HR
29	2	125A8	Sluitring M8	Washer M8
30	2	912825	Inbus M8 x 25	Socket-head M8 x 25
31	1	BEC390700	Borgplaatje	Retaining plate

Eén HS131HR bevat drie messenkoppen zoals hier afgebeeld.

One HS131HR contains three cutting units as shown here.

HS131HR | Optioneel geleidingswiel | Optional guide rollers | BEC-MP018



#	Aantal / Number	Artikelcode	Beschrijving	Description
1	1	93112180	Bout M12 x 180	Bolt M12 x 180
2	2	125A12	Sluitring M12	Washer M12
3	2	60052RSGP	Wiellager	Wheel-bearing
4	1	BEC401200	Wiellager	Wiel
5	1	BEC401500	Wiel bus 2	Wheeldrum 2
6	1	BEC401400	Wielbeugel	Wheel holder
7	4	912820	Inbus M8 x 20	Socket-head M8 x 20
8	4	9021A8	Carrosseriering M8	Washer-body M8
9	4	125A8	Sluitring M8	Washer M8
10	1	93412	Borgmoer M12	Locknut M12
11	4	9858	Borgmoer M8	Locknut M8

BEC-MP018 bestaat uit twee sets zoals hier afgebeeld.

BEC-MP018 consists of two sets as shown here.