

Onderdelenlijst Becx Heggensnoeier HS130HR

Versie; 15-01-16

Overzicht compleet	Blz. 2
Groep 1, hydraulica	Blz. 3
Groep 2, frame	Blz. 4
Groep 3, beschermkap	Blz. 5
Groep 4, messenkop	Blz. 6

Becx Tuinmachines Moergestel B.V.

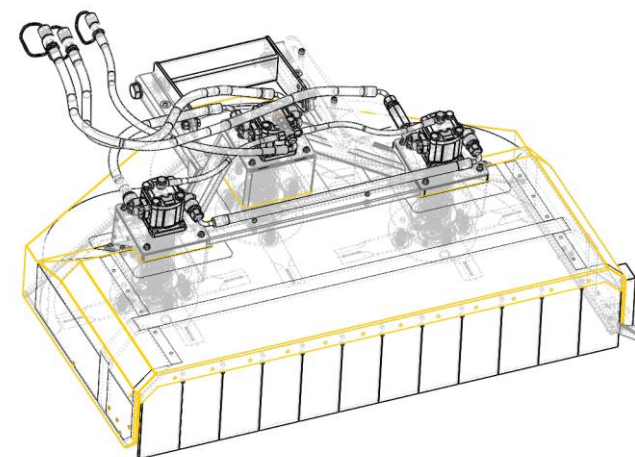
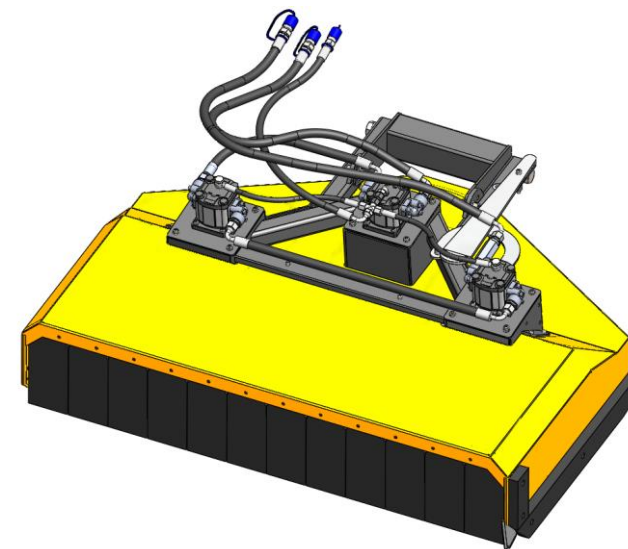
De Sonman 35

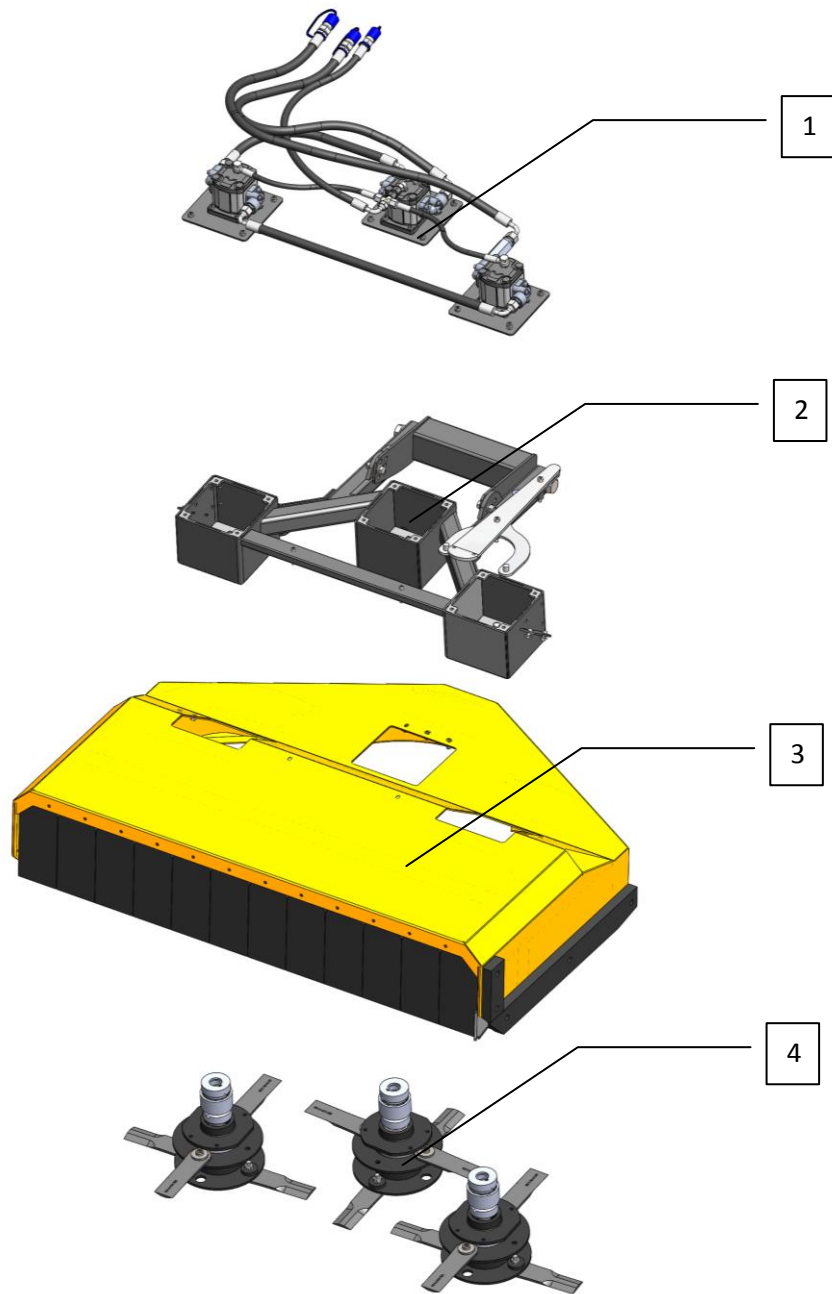
5066 GJ Moergestel

+31(0)13-513 1140

moergestel@becxtuinmachines.nl

<http://www.becxmachines.com>

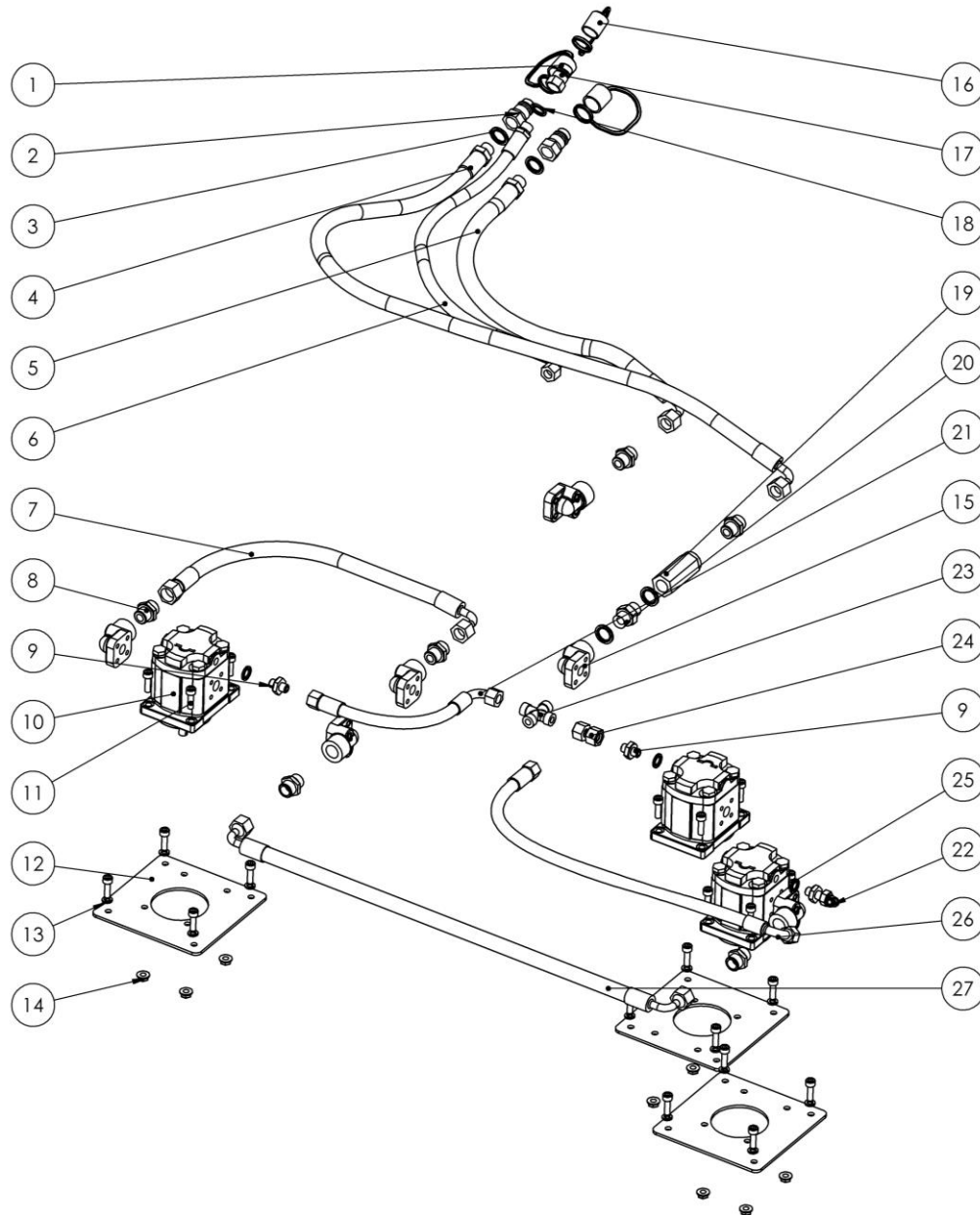




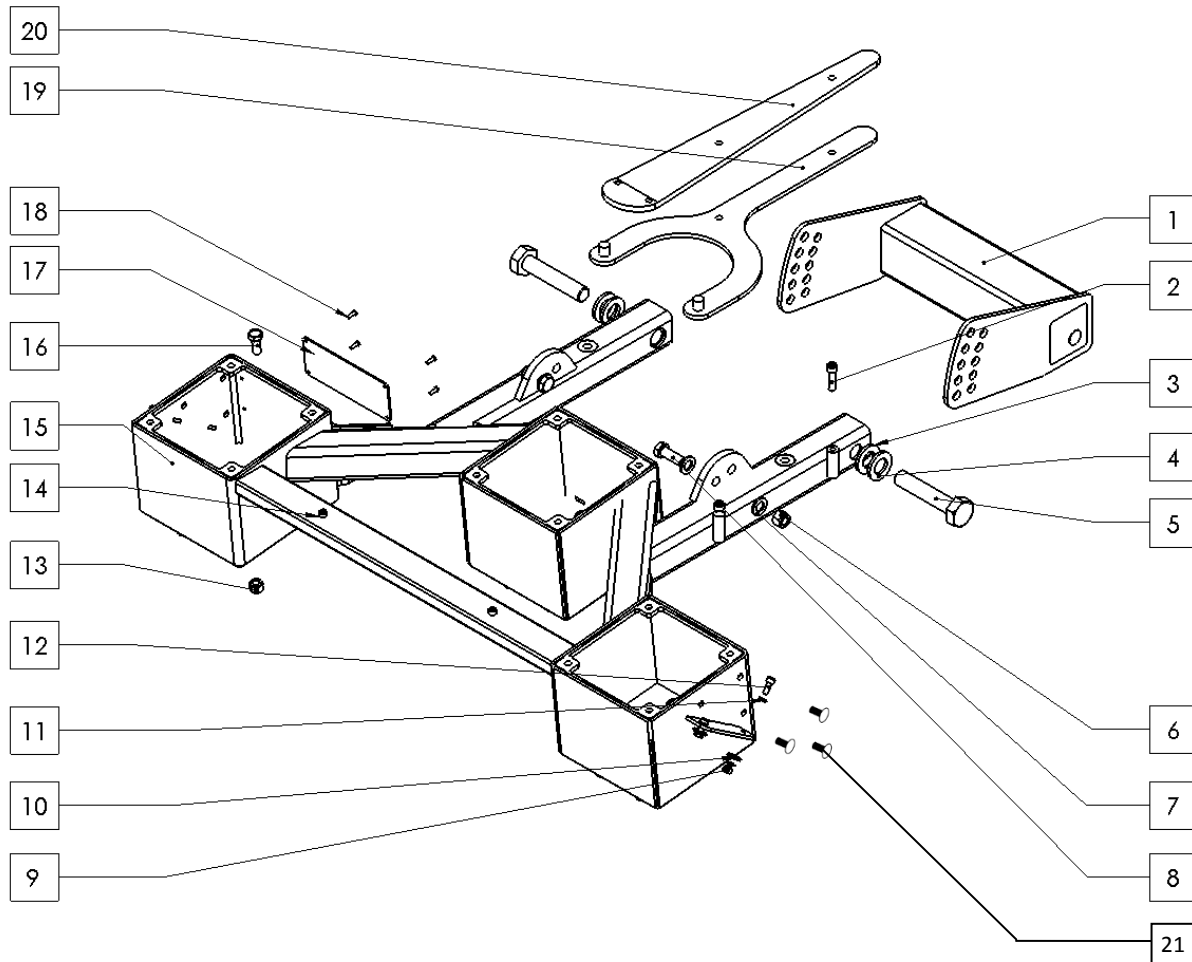
HS130HR, Compleet

#	Aantal	Artikelcode	Omschrijving	Description
1	1		Hydraulica	Hydraulics
2	1		Frame	Frame
3	1		Beschermkap	Protectioncover
4	3		Messenkoppen	Cutting-units

HS130HR, Groep D, hydraulica, hydraulics
Vanaf/from 10-2014

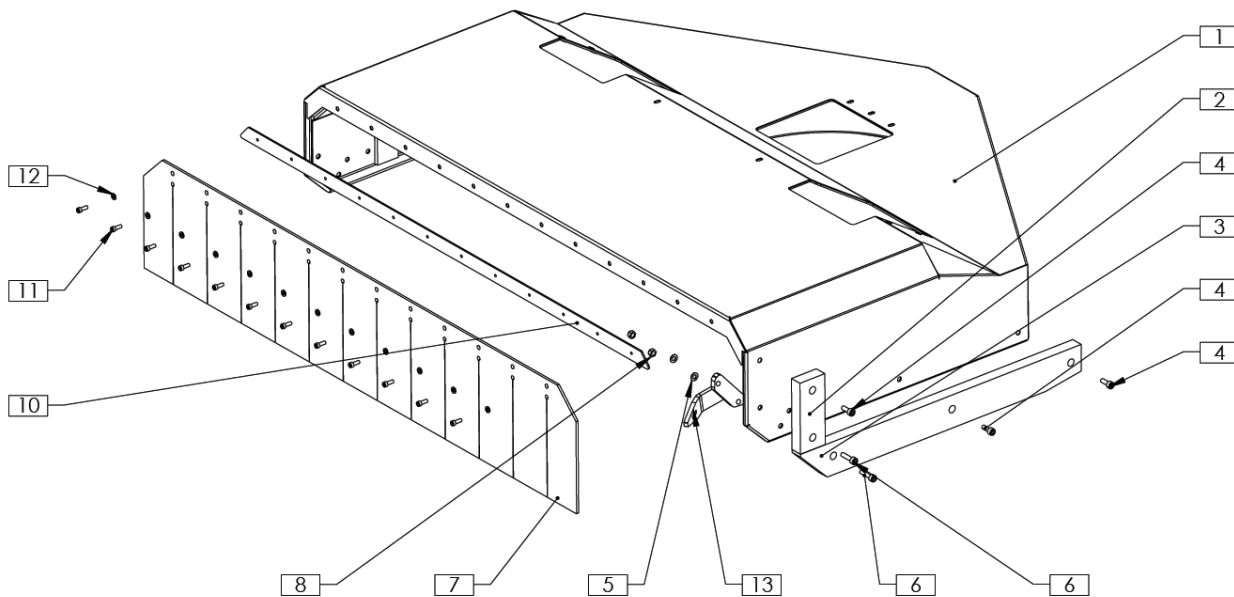


#	aantal	Artikelcode	Omschrijving	Description
1	2	BEC013300	TF-1-2 BLAUW	TF-1-2 BLUE
2	2	BEC013000	NV-12GAS-M	NV-12GAS-M
3	4	BEC170800	1071-1-2	1071-1-2
4	1	BEC013600	Slang UIT	Oil OUT
5	1	BEC013700	Slang IN	Oil IN
6	1	BEC014200	Lekleiding	Leak line
7	1	BEC010900	Slang	Hose
8	6	BEC012200	GE-15LRDE-12-BO	GE-15LRDE-12-BO
9	3	BEC172600	GE-12LM-12-BO	GE-12LM-12-BO
10	3	BEC011210 / BEC011211	Hydromotor (11cc / 16cc)	Hydromotor (11cc / 16cc)
11	24	912825	Inbus M8x25	Socket M8x25
12	3	BEC020300	Motormontageplaat	Motor mountingplate
13	12	127B8	Veerring M8	Spring ring M8
14	12	8VT	Moer tensilock M8	Nut tensilok M8
15	6	BEC011101	RR35X12HA	RR35X12HA
16	1	BEC013400	TF-38 BLAUW	TF-38 BLUE
17	1	BEC013100	NV-38GAS-M	NV-38GAS-M
18	1	BEC170700	1071-3-8	1071-3-8
19	1	BEC011400	VU-1-2	VU-1-2
20	1	BEC012500	A08BM-A08BM	A08BM-A08BM
21	1	BEC014000	Lekleiding	Leak line
22	1	BEC011700	EVW-12L-BO	EVW-12L-BO
23	1	BEC010400	K-12-L-BO	K-12-L-BO
24	1	BEC010500	GVO-12L-12L	E GVO-12L-12L
25	3	BEC172400	1071-M12	1071-M12
26	1	BEC014100	Lekleiding	Leak line
27	1	BEC011300	Slang	Hose



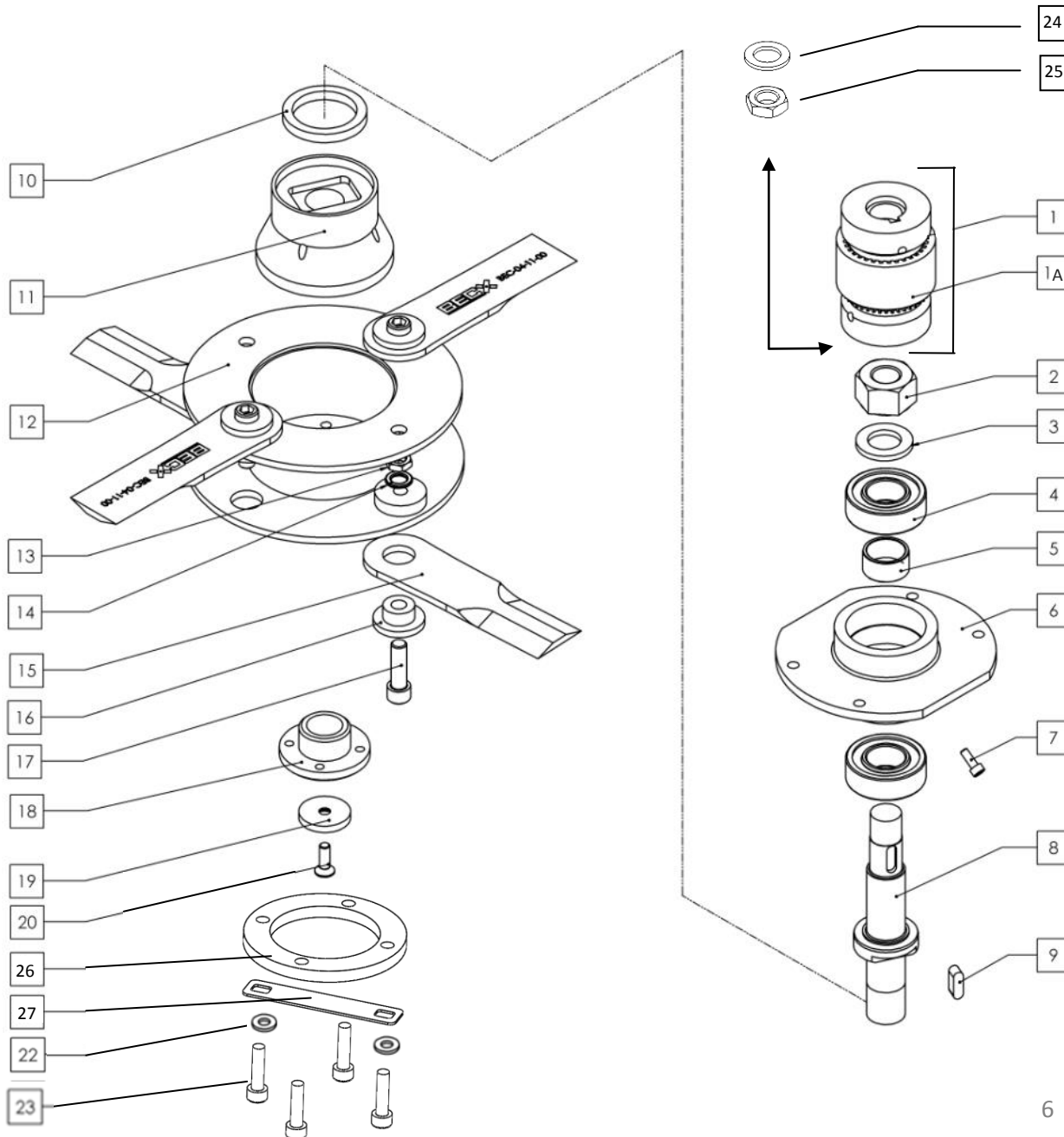
HS130HR, Groep 2, frame

#	Aantal	Artikelcode	Omschrijving	Description
1	1	BEC020201	Ophangkoker	Mounting beam
2	2	912830	Inbus M8x30 8.8	Socket M8x30 8.8
3	2	125A20	Sluitring M20	Washer M20
4	2	127B20	Veerring M20	Springer Washer M20
5	2	93120100	Bout M20x100 8.8	Bolt M20x100 8.8
6	2	98512	Borgmoer M12	Locknut M12
7	4	125A12	Sluitring M12	Washer M12
8	2	9331240	Bout M12x35 8.8	Bolt M12x35 8.8
9	9	9856	Borgmoer M6	Locknut M6
10	9	9021A6	Carrosseriering M6	Washer-body M6
11	9	125A6	Sluitring M6	Washer M6
12	7	912620	Bout M6x20 8.8	Bolt M6x20 8.8
13	12	93410	Moer M10 (voor messenkop#6)	Nut M10 (for cutting unit#6)
14	2	912640/912635	Bout M6x40/35 8.8	Bolt M6x40/35 8.8
15	1	BEC020501	Frame	Frame
16	12	9121020	Bout M10x20 8.8 (voor messenkop#6)	Bolt M10x20 8.8 (for cutting unit#6)
17	1	BEC020800	Typeplaat	Type plate
18	4	BN410	Blindniet 4mm	Rivet 4mm
19	1	BEC020600	Sleutel1	Tool1
20	1	BEC020700	Sleutel2	Tool2
21	6	KS468799	Druknagel	Press studs



HS130HR, Groep 3, beschermkap, body

#	Aantal	Artikelcode	Omschrijving	Description
1	1	BEC030100	Beschermkap	Safety-body
2	1	BEC030400	Slijtblok kort	Anti-wear short
3	1	BEC030500	Slijtblok lang	Anti-wear long
4	3	912820	Bout M8x20 8.8	Bolt M8x30 8.8
5	3	125A8	Sluitring M8	Washer M8
6	2	912830	Bout M8x30 8.8	Bolt M8x20 8.8
7	1	BEC030300	Lamellen	Fins
8	3	9858	Borgmoer M8	Nut M8
9	1	BEC030600	Pin lage takken	Low branches pin
10	1	BEC030200	Strip lamellen	Fin-mounting-strip
11	12	912616	Bout M6x16 8.8	Bolt M6x16 8.8
12	12	125A6	Sluitring M6	Washer M6



HS130HR, Groep 4, messenkop, cutting unit

#	Aantal(tot)	Artikelcode	Omschrijving	Description
1	1(3)	BEC040200	Motorverbinding-set	Motor-connection-set
1A	1(3)	BEC042300	Kunststof beveiliging	Nylon overload-prot.
2	1(3)	BEC040100	Moer M24	Nut M24
3	1(3)	BEC042100	Nordlockring	Nordlockring
4	2(6)	BEC040300	Lager D60 d30 B20	Bearing D60 d30 B20
5	1(3)	BEC040500	Afstandsbus lager	Bearing spacer
6	1(3)	BEC040401	Lagerhuis	Bearing housing
7	1(3)	BEC040600	Smeernippel M6	Grease nipple
8	1(3)	BEC040800	As	Shaft
9	1(3)	BEC042200	Spie	Key
10	1(3)	BEC041400	Keerring 50658cc	Seal 50658cc
11	1(3)	BEC041500	Alu klos messchijf	Aluminium hub
12	1(3)	BEC041600	Messchijven	Knife-mounting-discs
13	4(12)	93412	Mesmoer M12	Knife-Nut M12
14	4(12)	127B12RC	Veerring M12	Springer washer M12
15	4(12)	BEC041101	MES-HS130HR	Knife-HS130HR
16	4(12)	BEC041000	Mesring	Knife ring
17	4(12)	BEC040900	912 inbus M12x40	912 Socket M12x40
18	1(3)	BEC041700	Flensmoer	Flange-nut
19	1(3)	BEC041800	Borgring	Retaining ring
20	1(3)	7991820	Inbus verz. M8x20	Socket sunk M8x20
22	2(6)	125A8	Sluiring M8	Washer M8
23	4(12)	912835	Bout M8x35	Bolt M8x35
24	1(3)	NL12GEL	Nordlockring M12	Nordlockring M12
25	1(3)	93412	Moer M12	Nut M12
26	1(3)	BEC042600	Beschermring	Protection ring.
27	1(3)	BEC042500	Borgplaatje plat	Retaining plate