

Onderdelenlijst Becx Heggensnoeier HS130HR

Versie; MAART 2012

| | |
|----------------------|--------|
| Overzicht compleet | Blz. 2 |
| Groep 1, hydraulica | Blz. 3 |
| Groep 2, frame | Blz. 4 |
| Groep 3, beschermkap | Blz. 5 |
| Groep 4, messenkop | Blz. 6 |

Becx Tuinmachines Moergestel B.V.

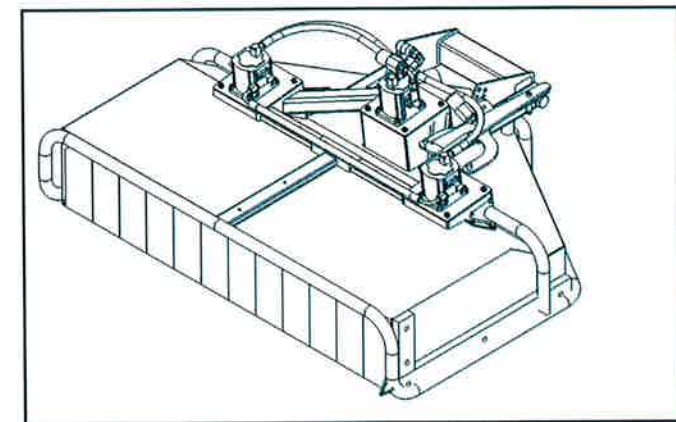
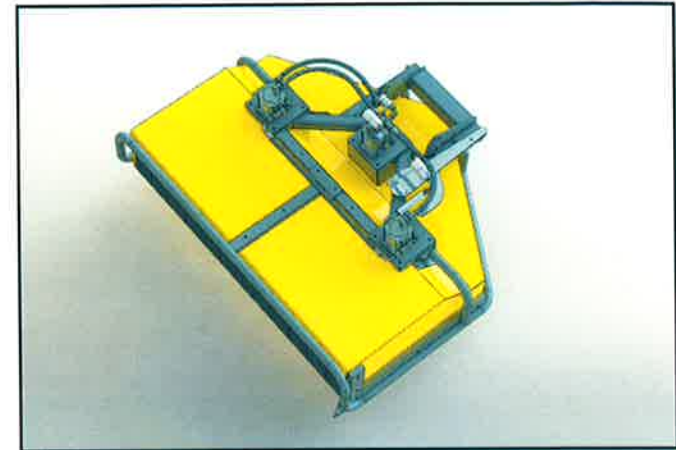
De Sonman 35

5066 GJ Moergestel

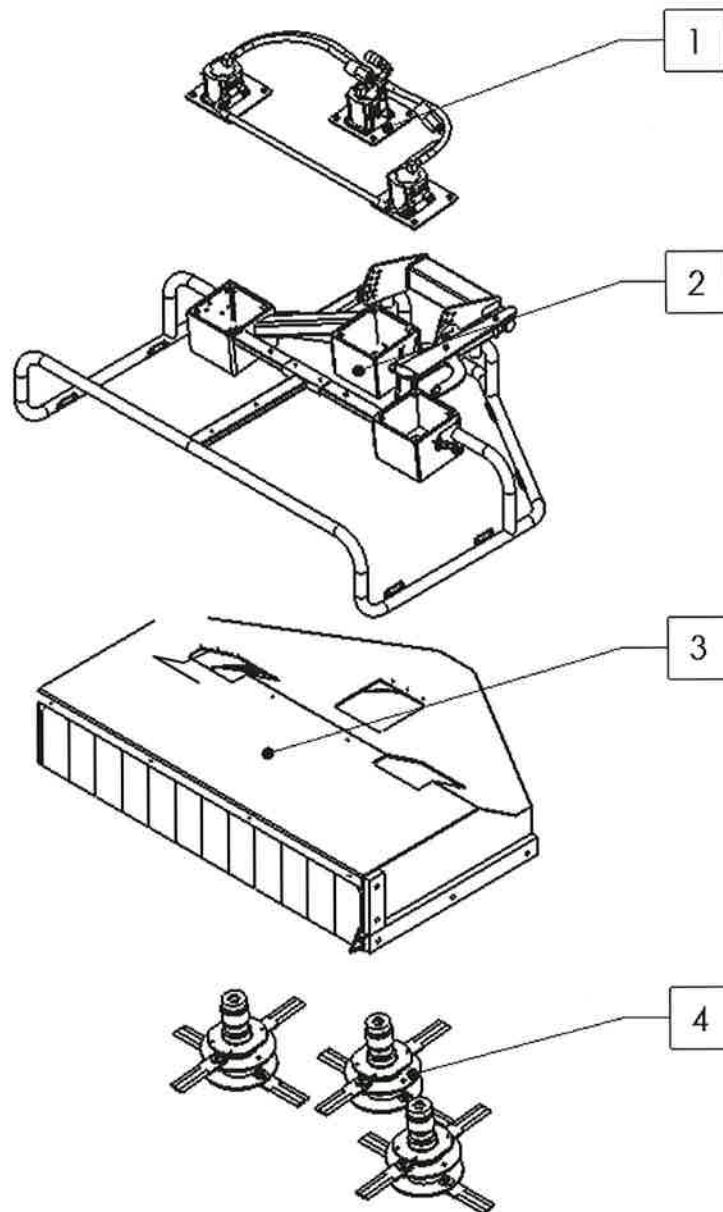
013-513 1140

moergestel@becxtuinmachines.nl

<http://www.becxtuinmachines.nl>



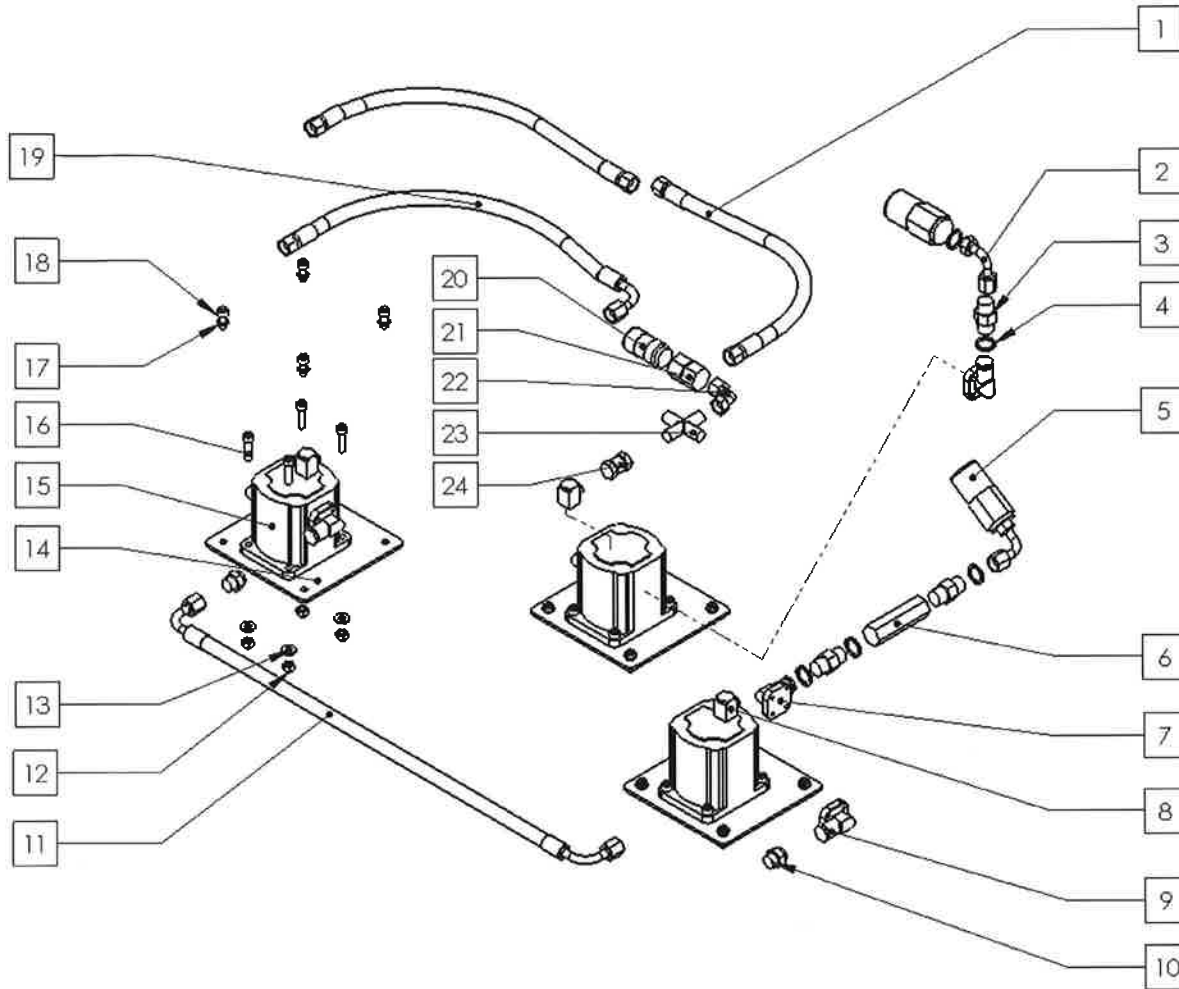
HS130HR, Compleet



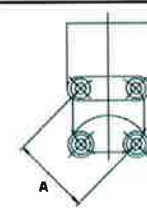
| # | Aantal | Artikelcode | Omschrijving | Description |
|---|--------|-------------|--------------|-----------------|
| 1 | 1 | | Hydraulica | Hydraulics |
| 2 | 1 | | Frame | Frame |
| 3 | 1 | | Beschermkap | Protectioncover |
| 4 | 3 | | Messenkoppen | Cutting-units |

HS130HR, Groep 1, hydraulica, hydraulics

LET OP Serienummer machine ..-00 / ..-01



| # | aantal | Artikelcode | Omschrijving | Description |
|----|--------|---------------------------------------|---|--|
| 1 | 2 | BEC010600 | 3/8-2SC-510-12LW-12LW | 3/8-2SC-510-12LW-12LW |
| 2 | 2 | BEC011800 | A08BF90-08BM | A08BF90-08BM |
| 3 | 3 | BEC012500 | A08BM-08BM | A08BM-08BM |
| 4 | 6 | BEC011900 | 1071-1/2 | 1071-1/2 |
| 5 | 2 | BEC011500 | 2FFI-34GAS-F | 2FFI-34GAS-F |
| 6 | 1 | BEC011400 | VU 1/2" terugslagklep | Non return valve 1/2" |
| 7 | 6 / 3 | BEC011101 | RRB35X12HA HOH = 35 ZIE BENEDEN | RRB35X12HA HOH = 35 SEE BELOW |
| 8 | 3 | BEC011000 | SVWE-12LR-1/4-BO (opgesn. naar 12x1,5) | SVWE-12LR-1/4-BO (thread 12x1,5) |
| 9 | 0 / 3 | BEC012300 | RRB40X12HA HOH = 40 ZIE BENEDEN | RRB40X12HA HOH = 40 SEE BELOW |
| 10 | 4 | BEC012200 | GE-15LRDE-1/2-BO | GE-15LRDE-1/2-BO |
| 11 | 1 | BEC010900 | 1/2-2SC-520-15LW-15LW90 | 1/2-2SC-520-15LW-15LW90 |
| 12 | 12 | 8VT | Moer TENSILOCK M8 | Nut TENSILOCK M8 |
| 13 | 12 | 125A8 | Sluitring M8 | Washer M8 |
| 14 | 3 | BEC020300 | Motormontageplaat | Motormountingplate |
| 15 | 3 | BEC011200/ BEC011201/ BEC011202 | Hydromotor, (zie slagletters voor type, 30/45/60) | Hydromotor, (see letters on motor, 30/45/60) |
| 16 | 12 | 912830 | Inbus M8x30 8.8 | Socket M8x30 8.8 |
| 17 | 12 | 127B8 | Veerring M8 | Spring washer M8 |
| 18 | 12 | 912820 | Inbus M8x20 8.8 | Socket M8x20 8.8 |
| 19 | 1 | BEC011300 | 1/2-2SC-740-15LW90-15LW90 | 1/2-2SC-740-15LW90-15LW90 |
| 20 | 1 | BEC011600 | KOPP. 2FFN-38GAS-F | CPL. 2FFN-38GAS-F |
| 21 | 1 | BEC012000 | EVGE-12LRDE-3/8 | EVGE-12LRDE-3/8 |
| 22 | 1 | BEC011700 | EVW-12L-BO | EVW-12L-BO |
| 23 | 1 | BEC010400 | K-12-L-BO | K-12-L-BO |
| 24 | 1 | BEC010500 | GVO-12L-12L | GVO-12L-12L |



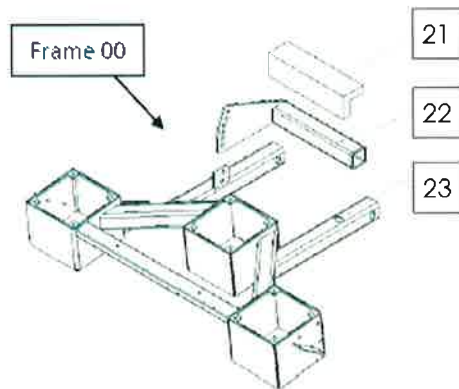
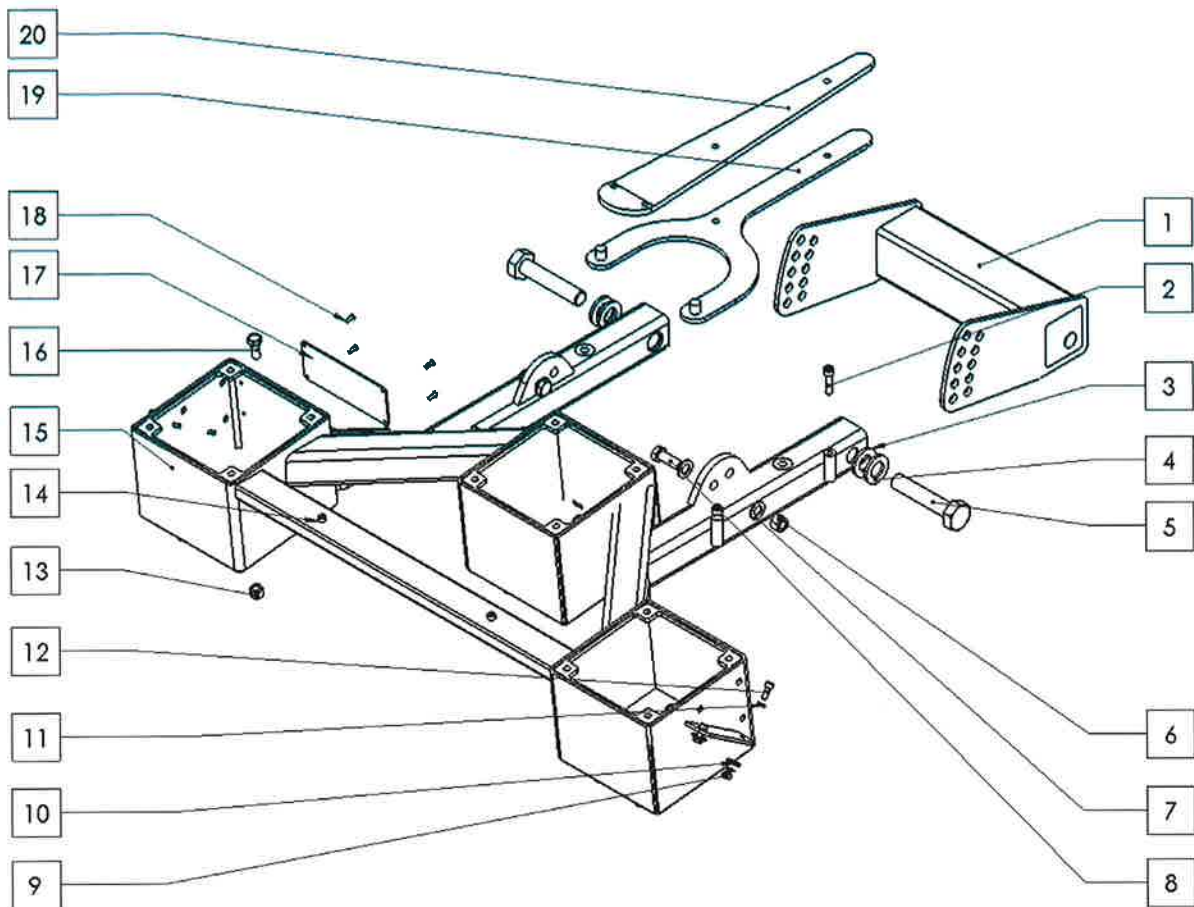
LET OP, VERSCHIL IN MOTOR(AANSLUITINGEN)
CAUTION, DIFFERENCES IN MOTOR(CONNECTORS)

A= 35mm : BEC-01-11-01

A= 40mm : BEC-01-23-00

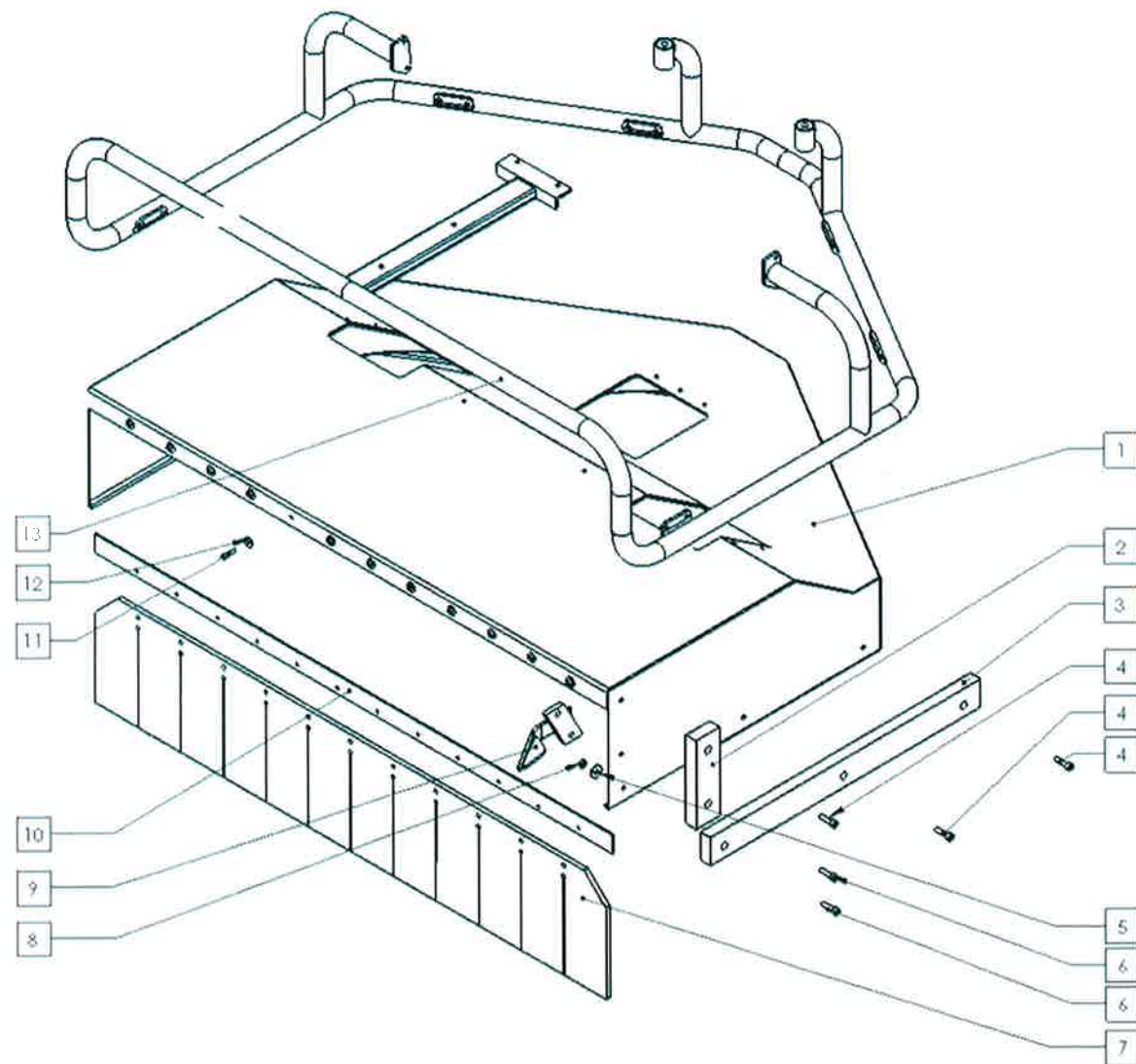


BECX  **MACHINES**



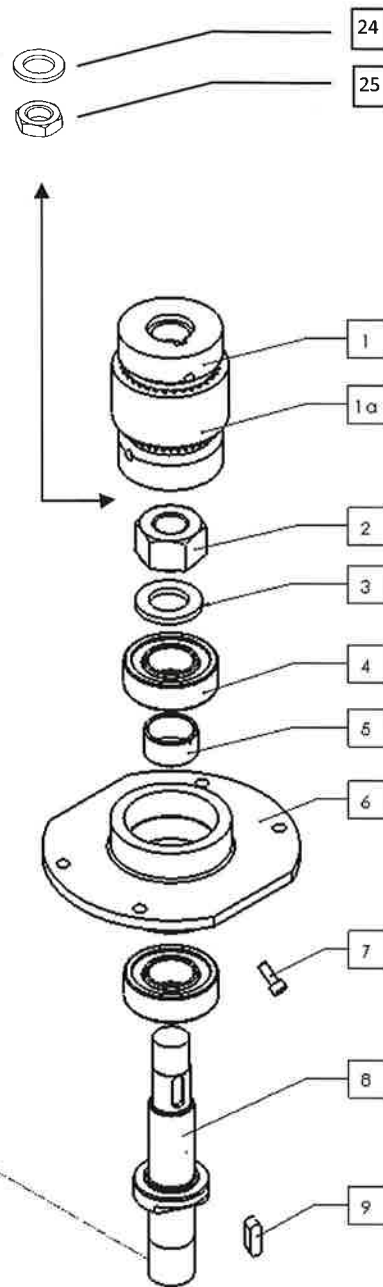
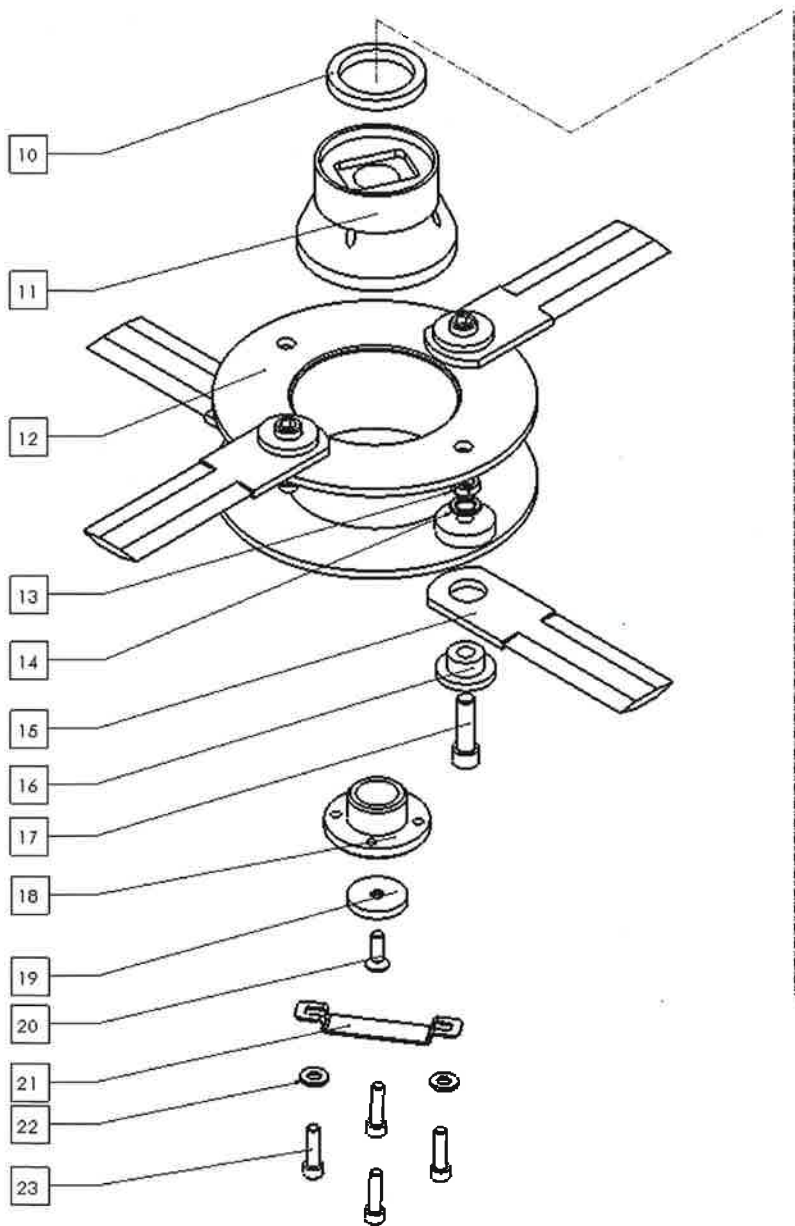
HS130HR, Groep 2, frame LET OP Serienummer machine ..-00 / ..-01

| # | Aantal | Artikelcode | Omschrijving | Description |
|----|--------|---------------|------------------------------------|--------------------------------------|
| 1 | 1 | BEC020201 | Ophangkoker | Mounting beam |
| 2 | 2 | 912830 | Inbus M8x30 8.8 | Socket M8x30 8.8 |
| 3 | 2 | 125A20 | Sluitring M20 | Washer M20 |
| 4 | 2 | 127B20 | Veerring M20 | Springer Washer M20 |
| 5 | 2 | 93120100 | Bout M20x100 8.8 | Bolt M20x100 8.8 |
| 6 | 2 | 98512 | Borgmoer M12 | Locknut M12 |
| 7 | 4 | 125A12 | Sluitring M12 | Washer M12 |
| 8 | 2 | 9331235 | Bout M12x35 8.8 | Bolt M12x35 8.8 |
| 9 | 9 | 9856 | Borgmoer M6 | Locknut M6 |
| 10 | 9 | 9021A6 | Carrosseriering M6 | Washer-body M6 |
| 11 | 9 | 125A6 | Sluitring M6 | Washer M6 |
| 12 | 7 | 912620 | Bout M6x20 8.8 | Bolt M6x20 8.8 |
| 13 | 12 | 98510 | Borgmoer M10 (voor messenkop#6) | Locknut M10 (for cutting unit#6) |
| 14 | 2 | 912640/912635 | Bout M6x40/35 8.8 | Bolt M6x40/35 8.8 |
| 15 | 1 | BEC020501 | Frame | Frame |
| 16 | 12 | 9121020 | Bout M10x20 8.8 (voor messenkop#6) | Bolt M10x20 8.8 (for cutting unit#6) |
| 17 | 1 | BEC020800 | Typeplaat | Type plate |
| 18 | 4 | BN410 | Blindniet 4mm | Rivet 4mm |
| 19 | 1 | BEC020600 | Slutel1 | Tool1 |
| 20 | 1 | BEC020700 | Slutel2 | Tool2 |
| 21 | 1 | BEC020100 | Passtuk 75x75 | Adapter 75x75 |
| 22 | 1 | BEC020200 | Ophangkoker-00 | Mounting beam-00 |
| 23 | 1 | BEC020500 | Frame-00 | Frame-00 |



HS130HR, Groep 3, beschermkap, body LET OP Serienummer machine ..-00 / ..-01

| # | Aantal | Artikelcode | Omschrijving | Description |
|----|--------|-------------|--------------------------------------|--------------------|
| 1 | 1 | BEC030100 | Beschermkap | Safety-body |
| 2 | 1(0) | BEC030400 | Slijtblok kort 0x bij stootbeugel | Anti-wear short |
| 3 | 1(0) | BEC030500 | Slijtblok lang 0x bij stootbeugel | Anti-wear long |
| 4 | 3 | 912820 | Bout M8x20 8.8 | Bolt M8x30 8.8 |
| 5 | 5 | 125A8 | Sluitring M8 | Washer M8 |
| 6 | 2 | 912830 | Bout M8x30 8.8 | Bolt M8x20 8.8 |
| 7 | 1 | BEC030300 | Lamellen | Fins |
| 8 | 5 | 9858 | Moer M8 | Nut M8 |
| 9 | 1 | BEC030600 | Pin lage takken | Low branches pin |
| 10 | 1 | BEC030200 | Strip lamellen | Fin-mounting-strip |
| 11 | 12 | 912616 | Bout M6x16 8.8 | Bolt M6x16 8.8 |
| 12 | 12 | 9021A6 | Carrosseriering M6 | Washer-body M6 |
| 13 | (1) | BEC050100 | Stootbeugel (optie) | Shock-mount |



HS130HR, Groep 4, messenkop, cutting unit LET OP Serienummer machine ..-00 / ..-01

| # | Aantal(tot) | Artikelcode | Omschrijving | Description |
|----|-------------|-------------|-----------------------|----------------------|
| 1 | 1(3) | BEC040200 | Motorverbinding-set | Motor-connection-set |
| 1a | 1(3) | BEC042300 | Kunststof beveiliging | Nylon overload-prot. |
| 2 | 1(3) | BEC040100 | Moer M24 | Nut M24 |
| 3 | 1(3) | BEC042100 | Nordlockring | Nordlockring |
| 4 | 2(6) | BEC040300 | Lager D60 d30 B20 | Bearing D50 d30 B20 |
| 5 | 1(3) | BEC040500 | Afstandsbus lager | Bearing spacer |
| 6 | 1(3) | BEC040401 | Lagerhuis | Bearing housing |
| 7 | 1(3) | BEC040600 | Smeernippel M6 | Grease nipple |
| 8 | 1(3) | BEC040800 | As | Shaft |
| 9 | 1(3) | BEC042200 | Spie | Key |
| 10 | 1(3) | BEC041400 | Keerring 50658cc | Seal 50658cc |
| 11 | 1(3) | BEC041500 | Alu klos messschijf | Aluminium hub |
| 12 | 1(3) | BEC041600 | Messchijven | Knife-mounting-discs |
| 13 | 4(12) | BEC041300 | Mesmoer M12 | Knife-Nut M12 |
| 14 | 4(12) | 127B12RC | Veerring M12 | Springer washer M12 |
| 15 | 4(12) | BEC041100 | MES-HS130HR | MES-HS130HR |
| 16 | 4(12) | BEC041000 | Mesbus | Knife bushing |
| 17 | 4(12) | BEC040900 | 912 inbus M12x40 | 912 Socket M12x40 |
| 18 | 1(3) | BEC041700 | Flensmoer | Flange-nut |
| 19 | 1(3) | BEC041800 | Borgring | Retaining ring |
| 20 | 1(3) | 7991820 | Inbus verz. M8x20 | Socket sunk M8x20 |
| 21 | 1(3) | BEC042400 | Borgplaatje | Retaining plate |
| 22 | 2(6) | 125A8 | Sluitring M8 | Washer M8 |
| 23 | 4(12) | 912830 | Bout M8x30 | Bolt M8x30 |
| 24 | 1(3) | NL12GEL | Nordlockring M12 | Nordlockring M12 |
| 25 | 1(3) | 93412 | Moer M12 | Nut M12 |

Onderdelenlijst Becx Heggensnoeier HS130HR; MAART 2012

BECCOMACHINES